

**JSPB**

**Age 14+**

**URBAN OPS**

**LITE +**

**DIY-Kit**

**VER:1.6**  
by: Ezekiel lin

Warning: Choking hazard-may contain small parts.  
not for childer under 3years.  
警告:內含細小零件,遠離幼童請勿吞食.

Wear goggles at all times.  
操作或遊戲時請戴護目鏡.



Video Tutorials:  
<https://youtu.be/yv0F5iMeKPk>

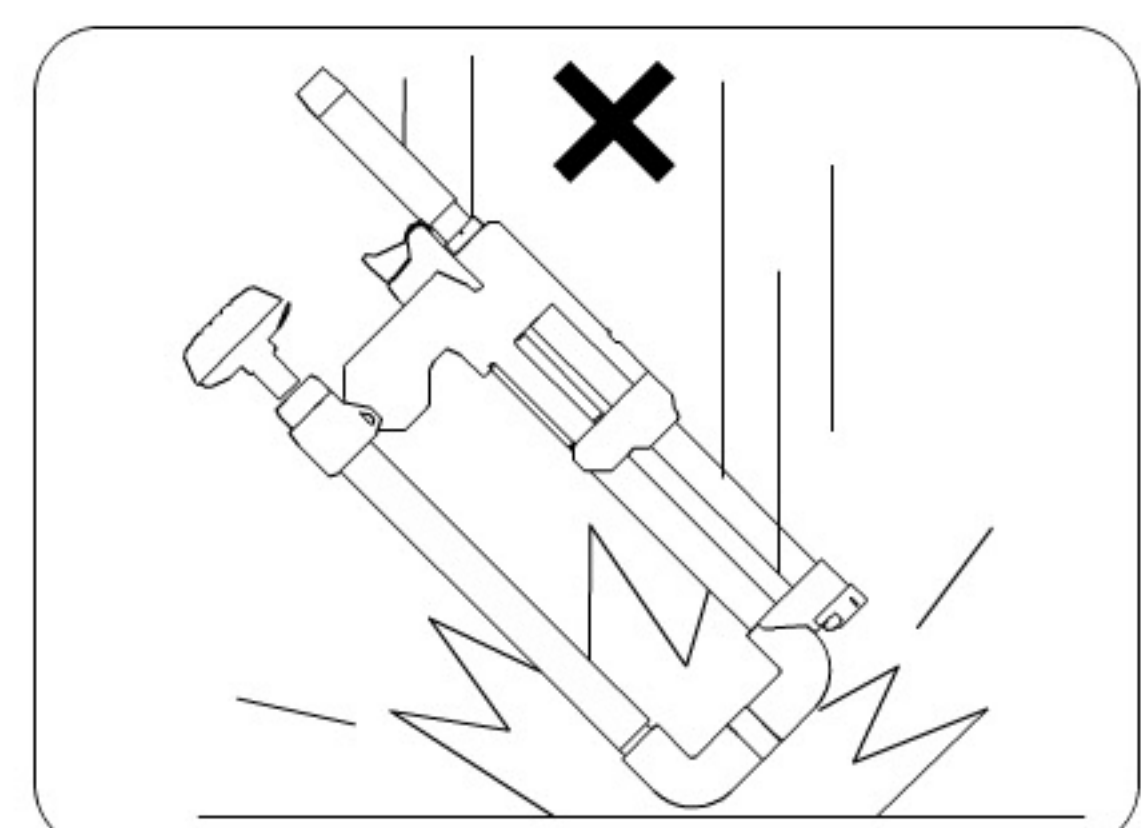
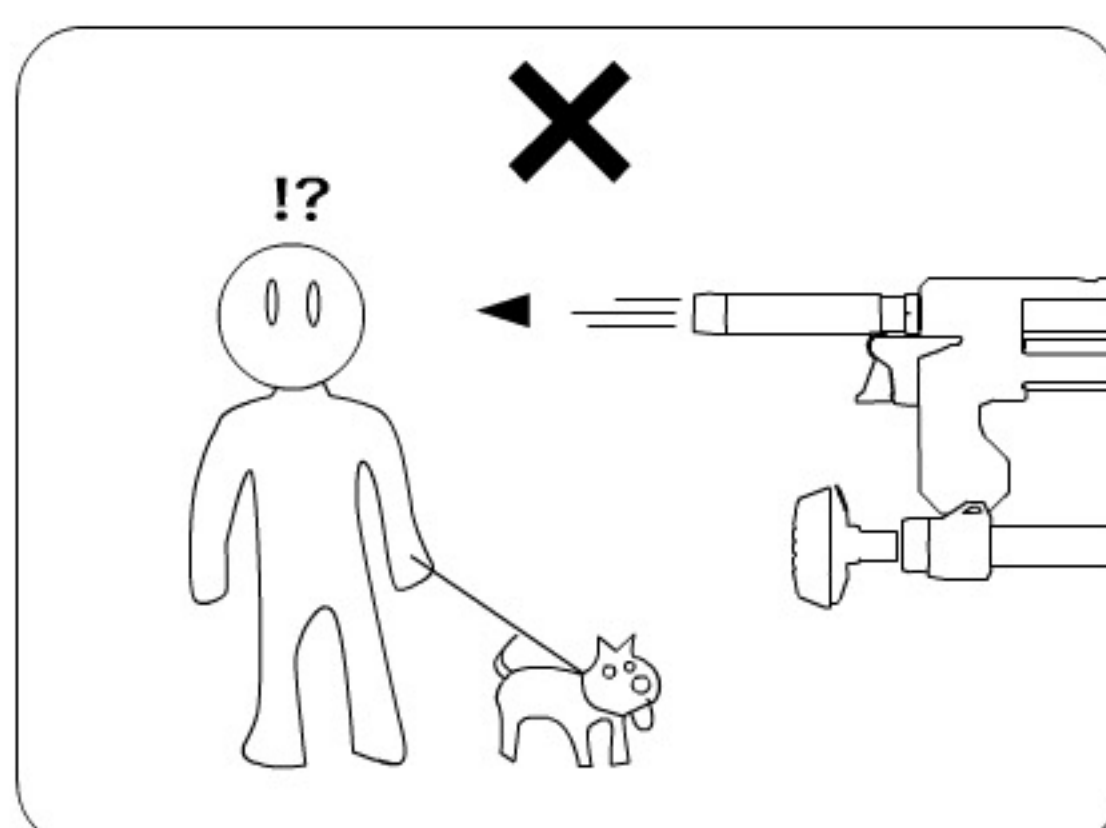
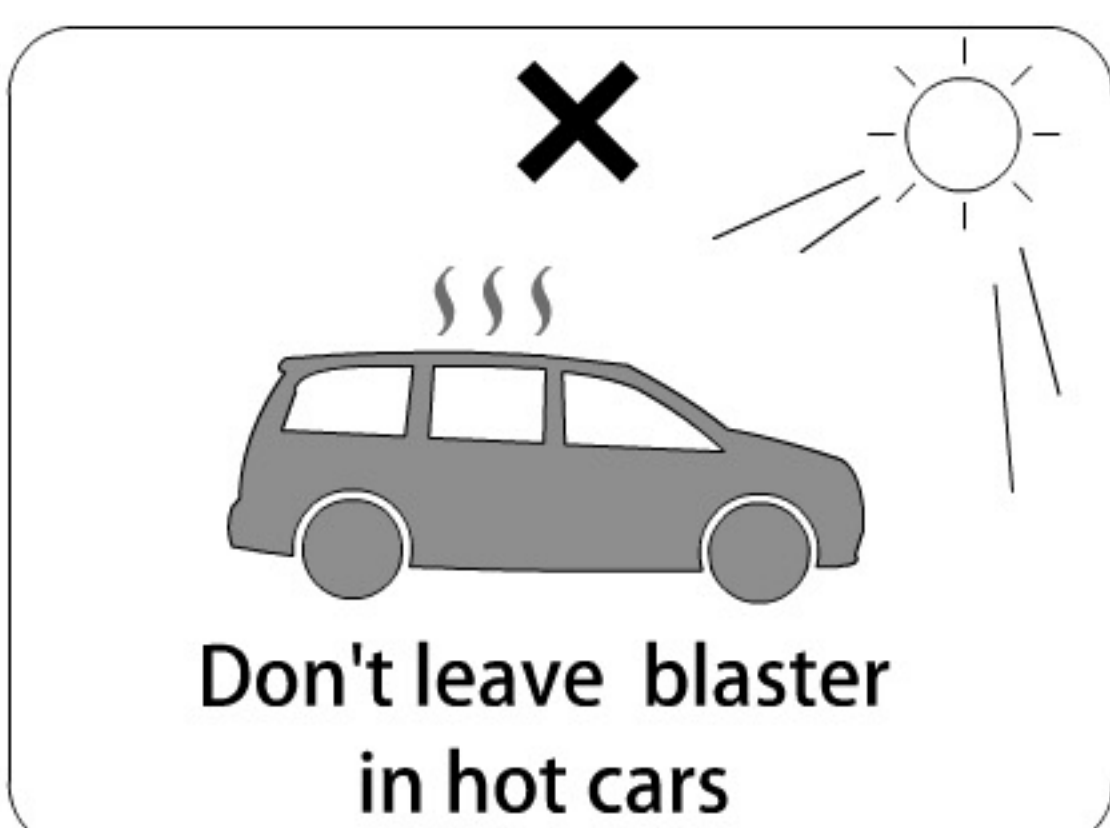


**JSPB 3D PRINTED URBAN OPS KIT**

Read and fully understand the instructions prior to use.  
The supervising adult should also read the instructions if a child is using the model.Keep instructions for future reference.  
使用前請詳細閱讀理解說明書。  
如果孩子童操縱使用,監護人也需閱讀說明書。

**Items 請自備 required:**

- Sand paper
- Double-sided tape
- TAPE
- 10mm wrench
- 10mm wrench
- Ruler
- Pen
- Utility knife
- Pliers
- Scissors
- Goggles
- Screwdriver
- Hammer



Read and fully understand the instructions prior to use.  
The supervising adult should also read the instructions if a child is using the model.Keep instructions for future reference.

使用前請詳細閱讀理解說明書.如果孩童操縱使用,監護人也需閱讀說明書.

### ▲ 警告

- 14歲以下請家長陪同使用。
- 細小零件避免兒童吞食。
- 小心操縱工具以免受傷。
- 接著劑使用前請先閱讀包裝說明。
- 請勿在公共空間驚嚇或攻擊他人。
- 請勿再捷運,火車,飛機上遊玩。
- 請勿瞄準頭或臉。
- 請勿攻擊他人財產或是動物。
- 黑色塗裝攜帶時必須放入槍袋。
- 改造請依照當地法規合法改造。

### ▲ 注意



- 製作或遊戲時請戴上護目鏡。
- 操縱黏膠或潤滑油不能接觸眼睛,如果不慎接觸請大量沖水並且就醫。
- 3D列印材質PLA,水管為PVC。
- 小心水管與零件銳邊,使用砂紙打磨。
- 變形損壞的JSPB請勿再使用。
- 請先清點材料,如有缺件請聯絡購買處。

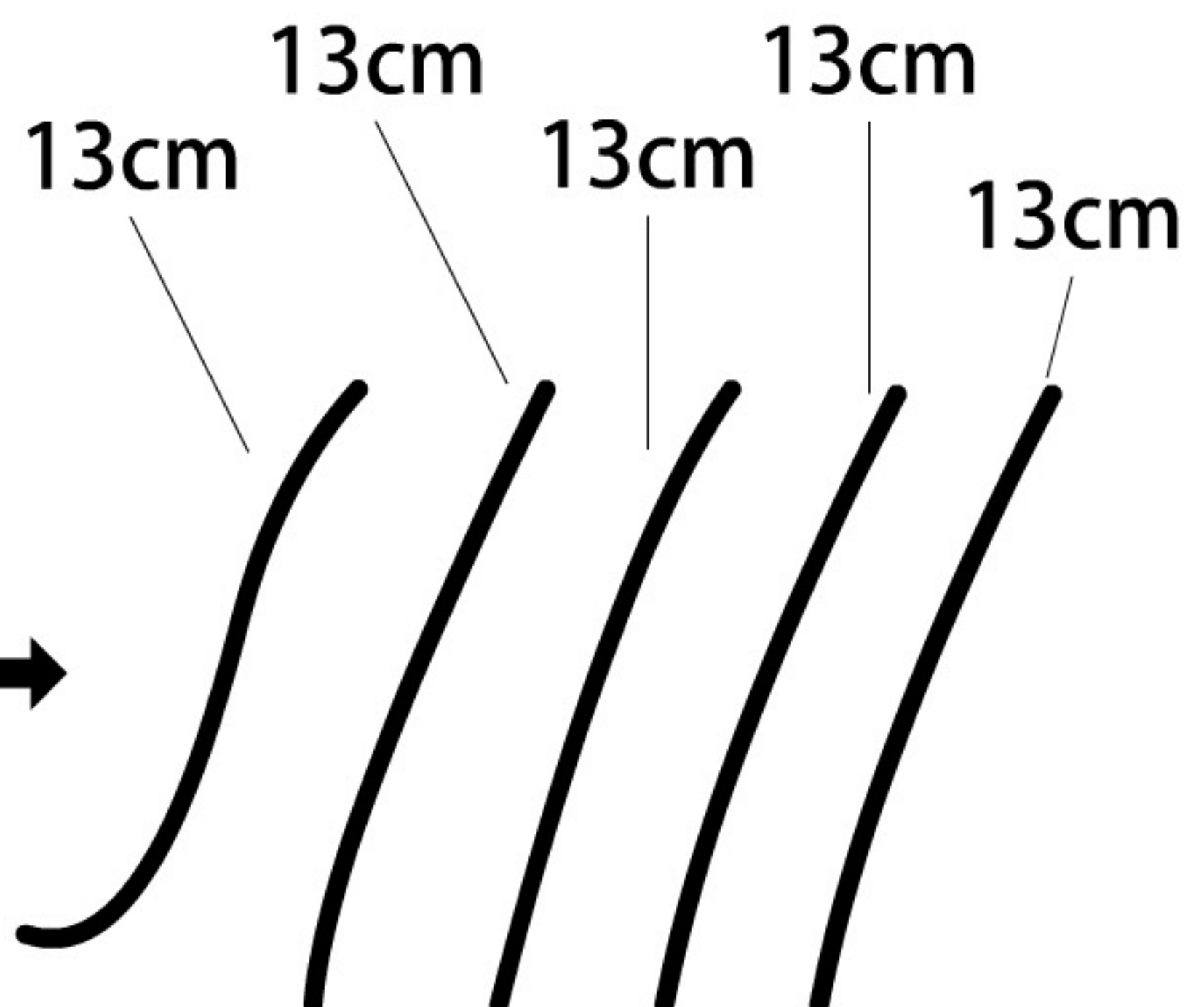
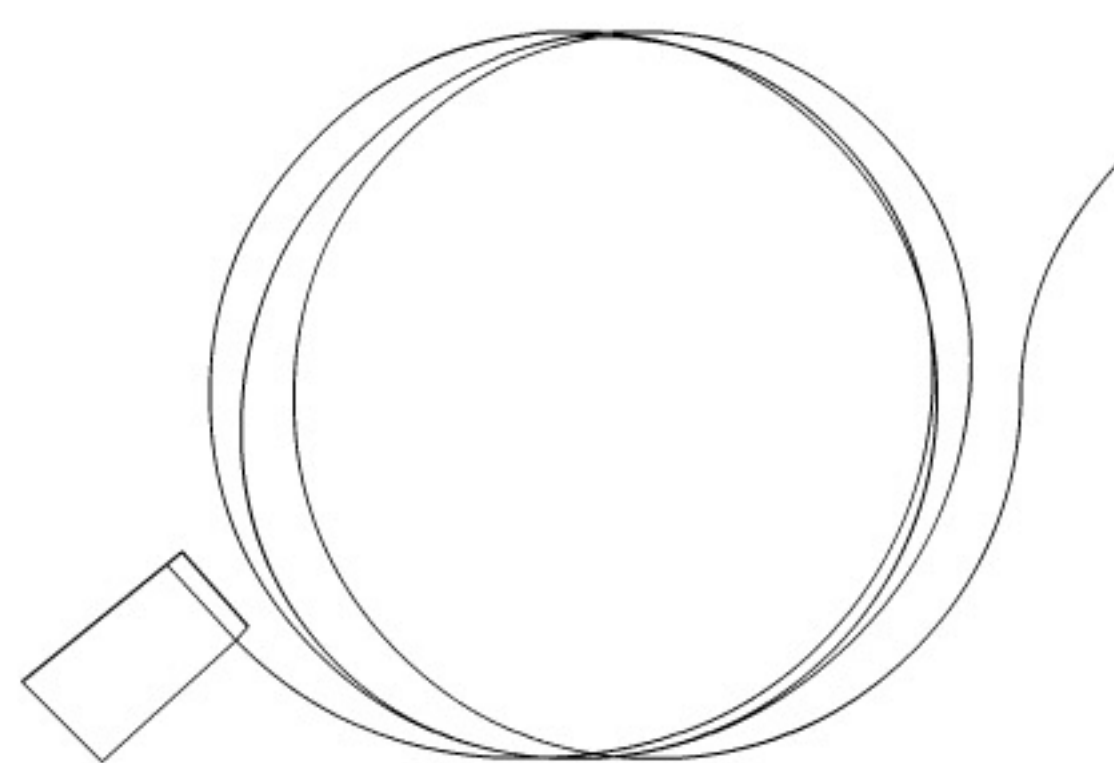
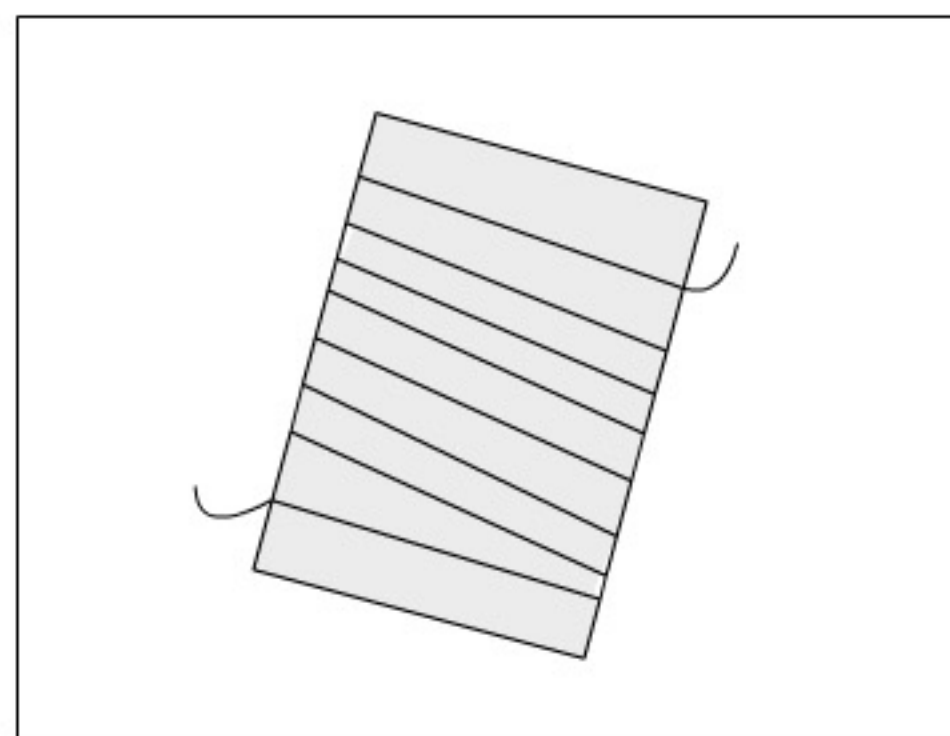
### ▲ WARNING!

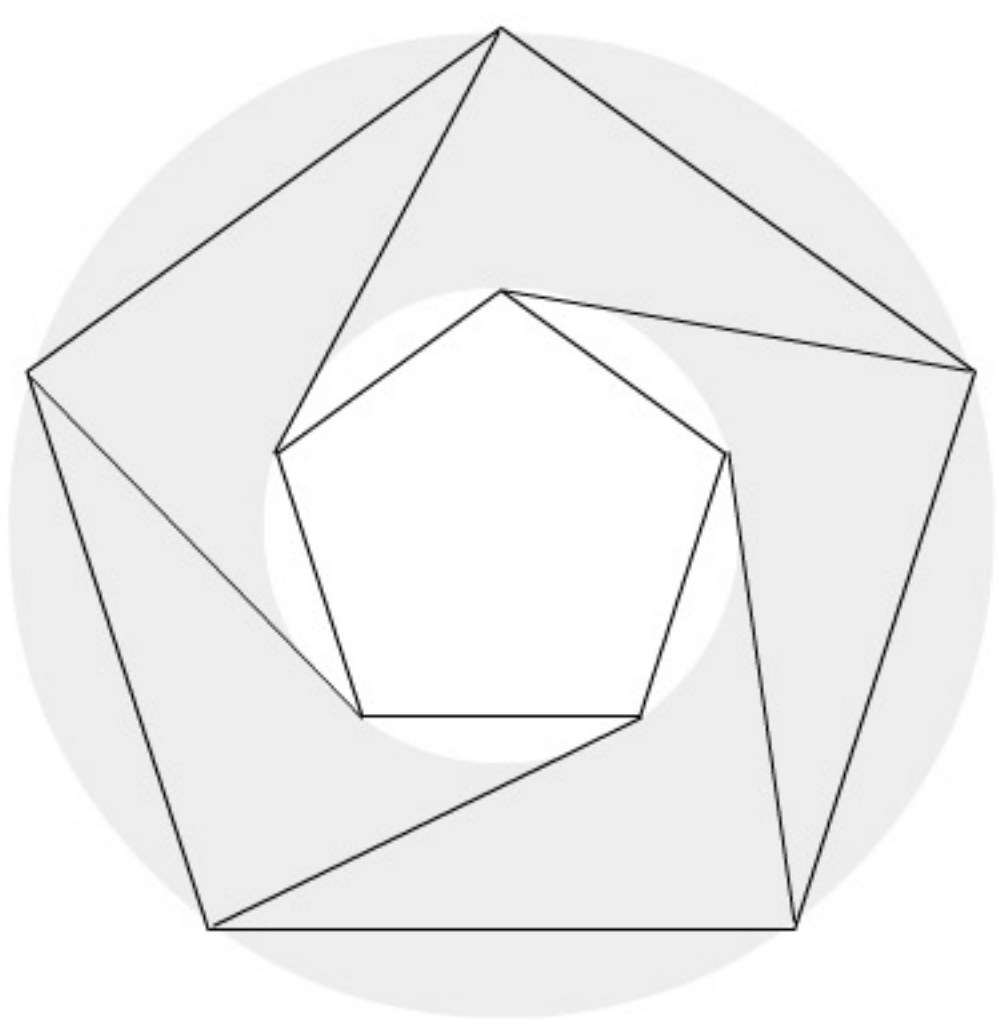
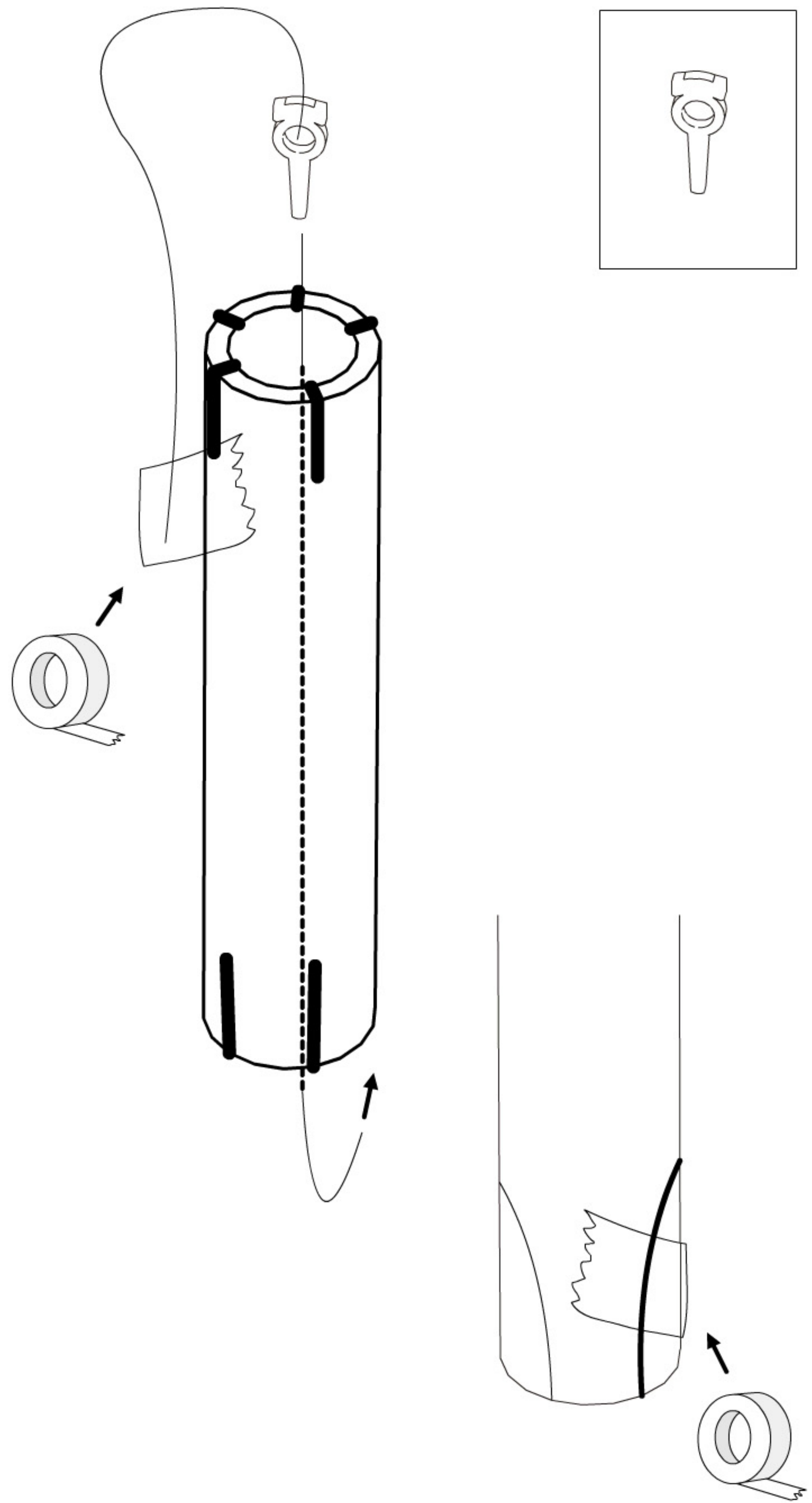
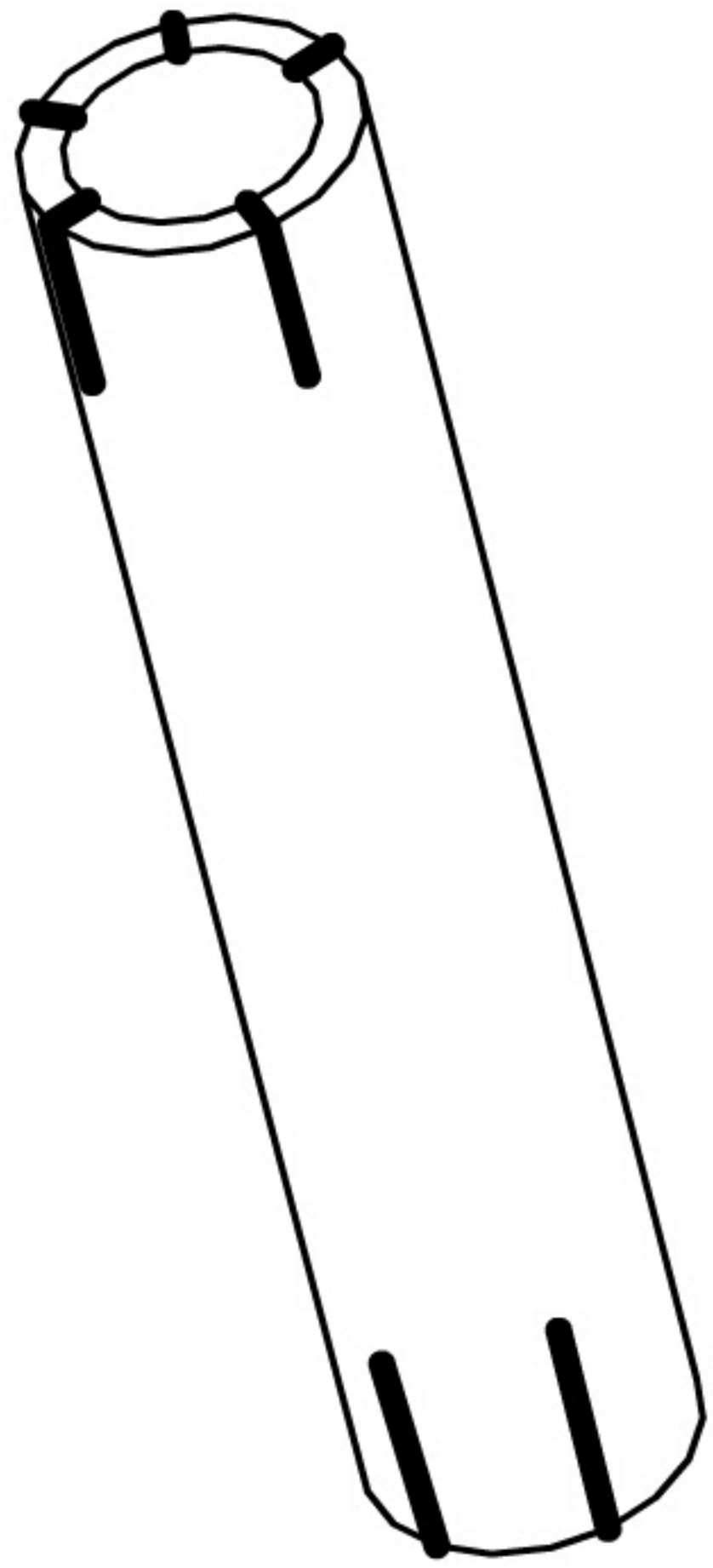
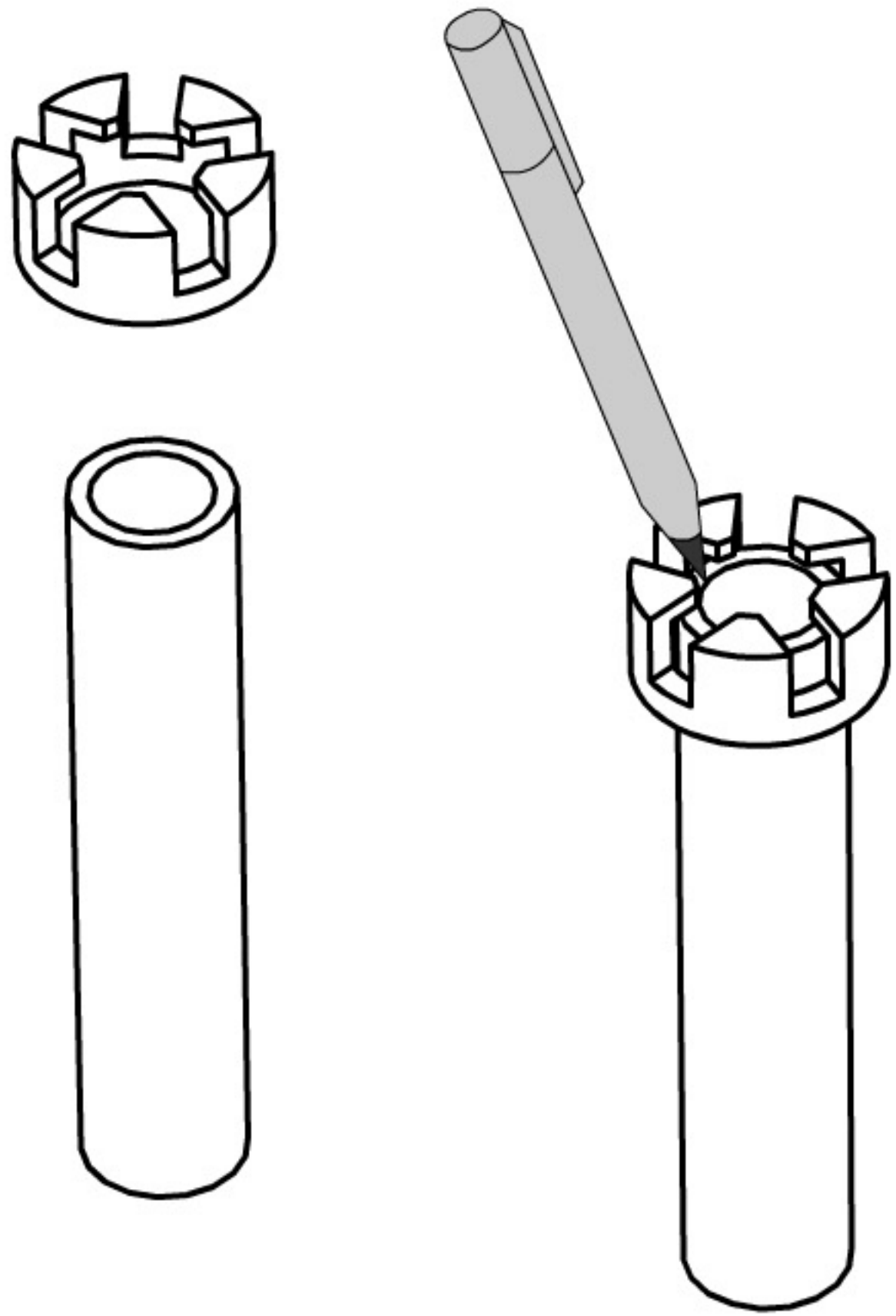
- Use under adult supervision.
- Not suitable for children under 3 years of age.
- Care should be taken when using tools and modeling knives,as these can cause personal injury.
- Keep out of reach of small children when assembling.Children must not be allowed to touch tools or put any parts or packaging material in their mouths.
- Do not use glue near open flame and make sure to ventilate room to prevent poisoning/intoxication.
- Never play the blaster on streets,near small children or in a crowded area.

### ▲ CAUTION!

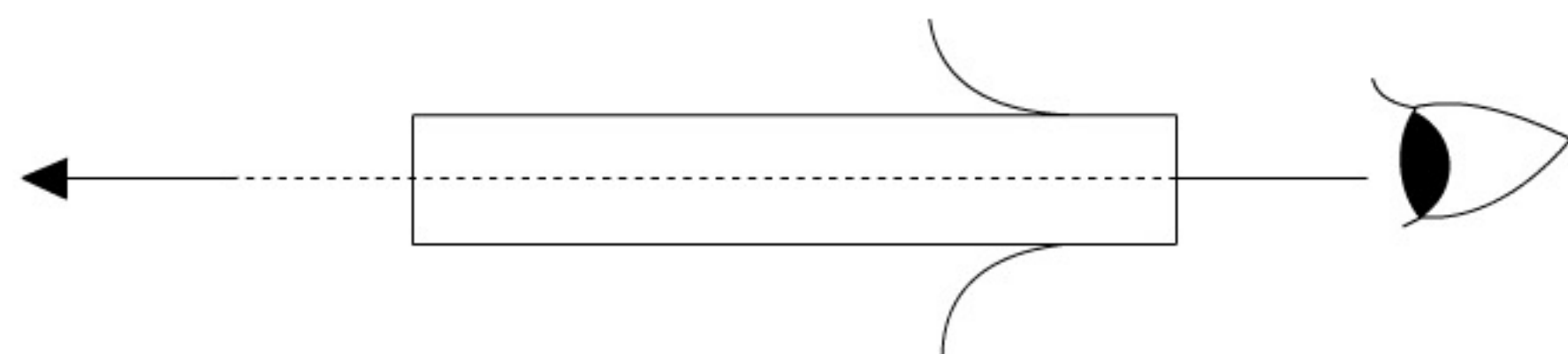


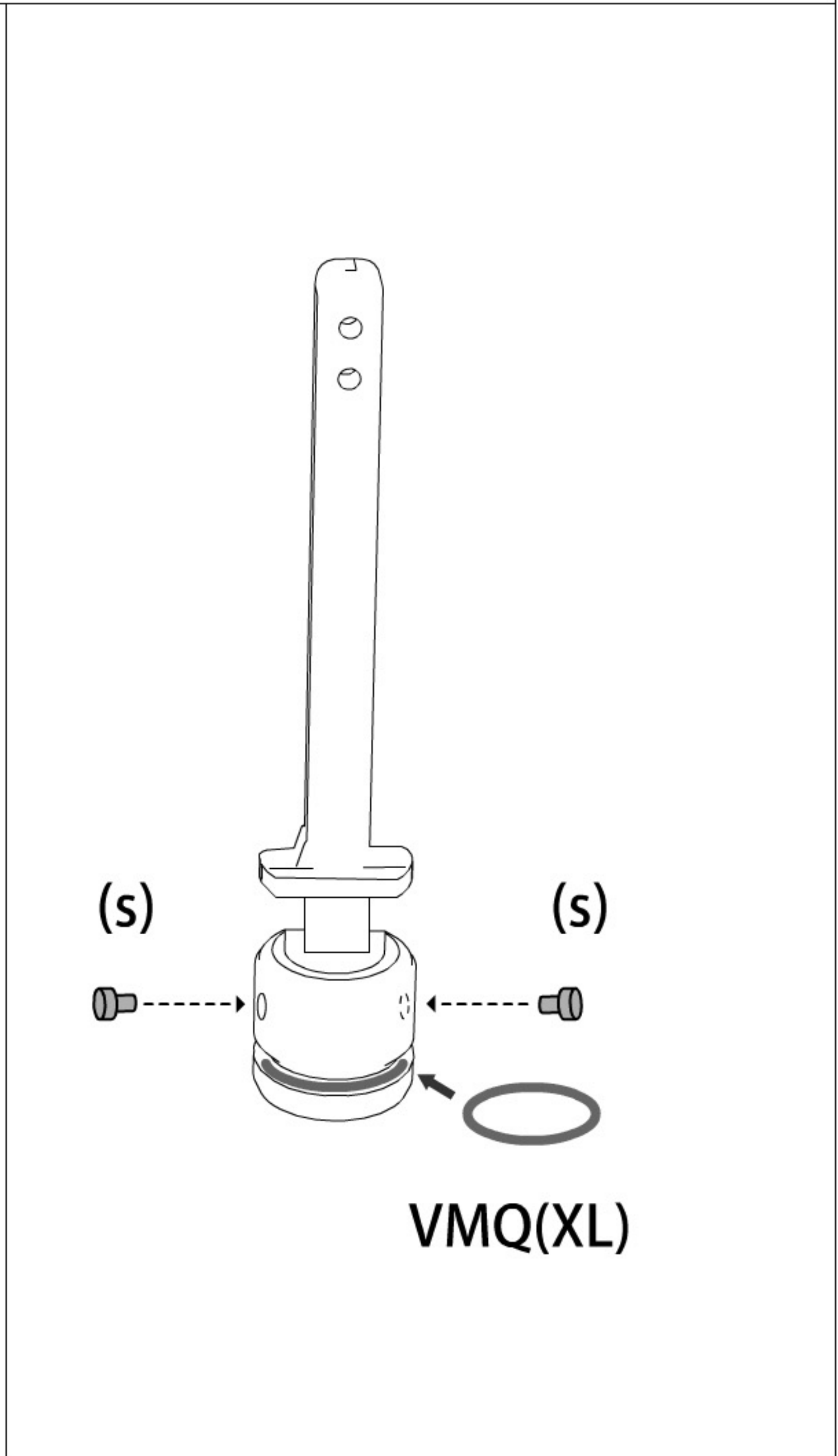
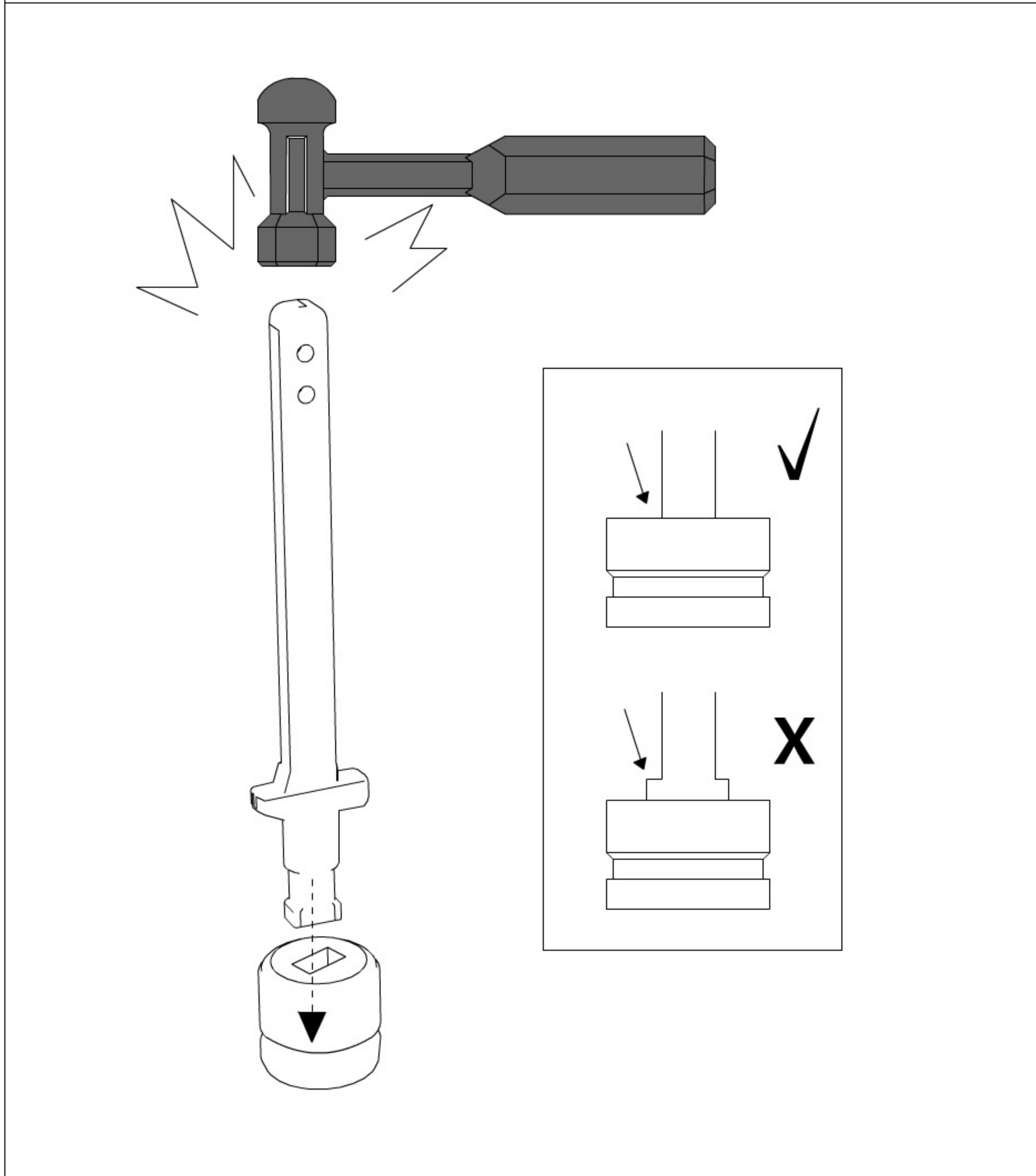
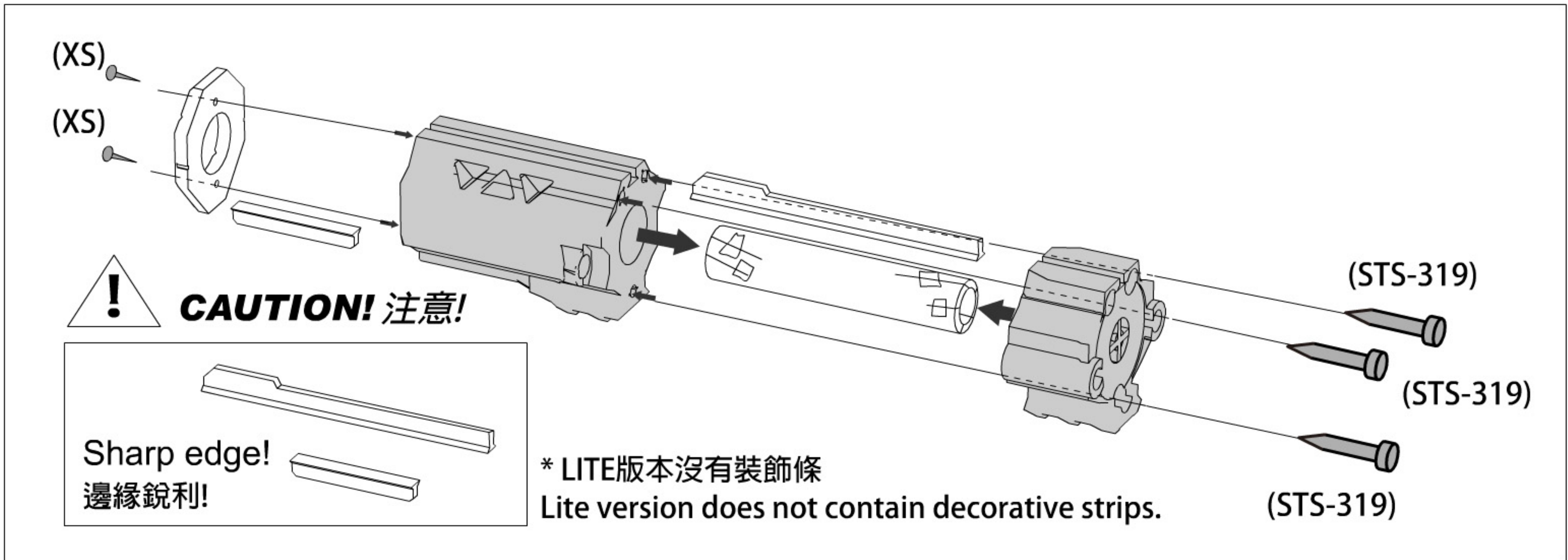
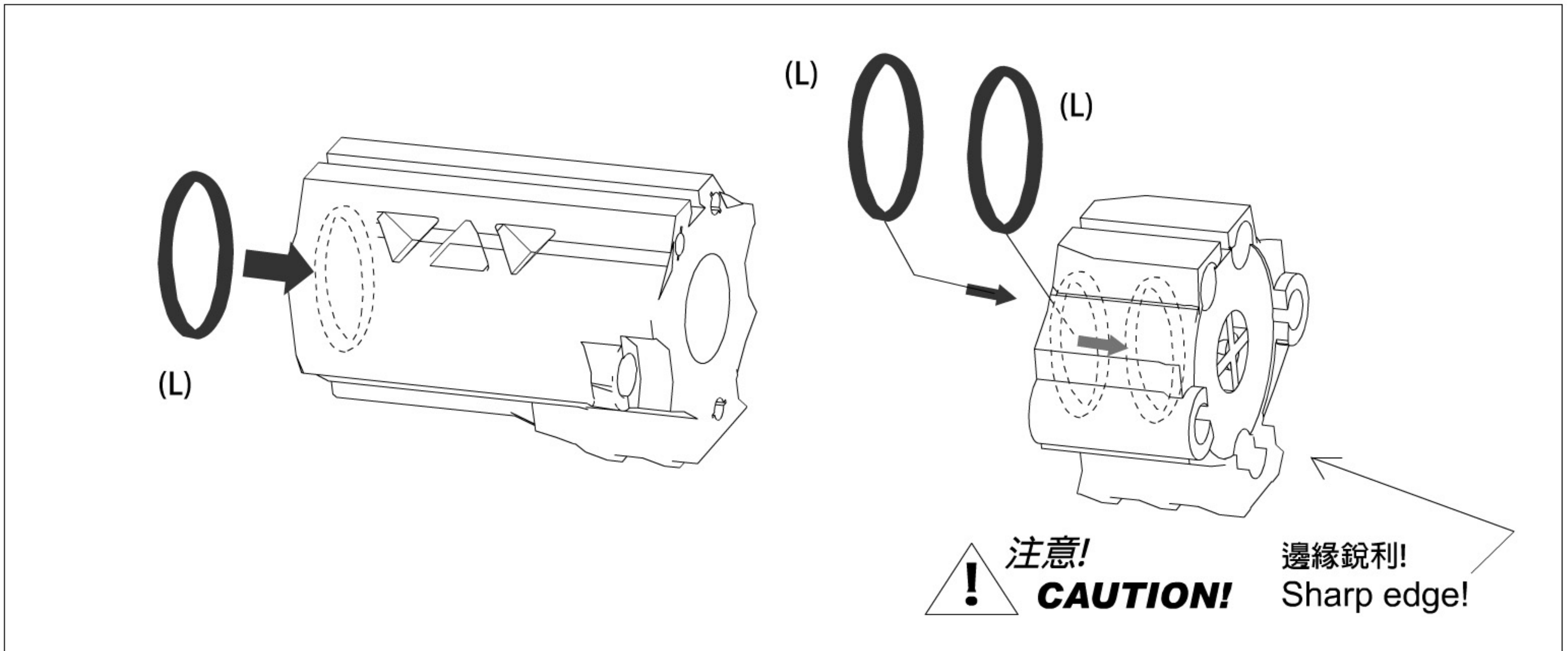
- Wear goggles at all times.
- Parts using sandpaper make shure not to leave sharp points or edges
- Lubricants,glue.must not be inhaled or ingested.if accidental exposure occurs ,immediately flush with water and seek medical attention.
- Do not use the model if any parts are damaged or deformed.
- Care should be taken with parts with sharp points and edge.

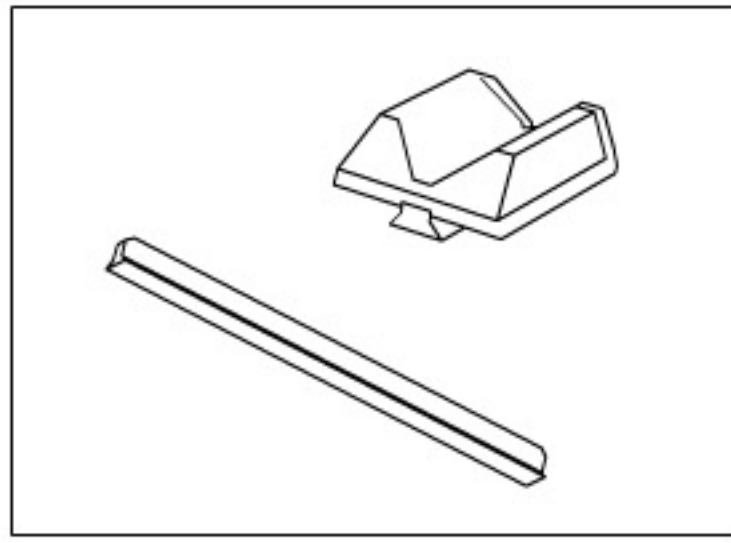




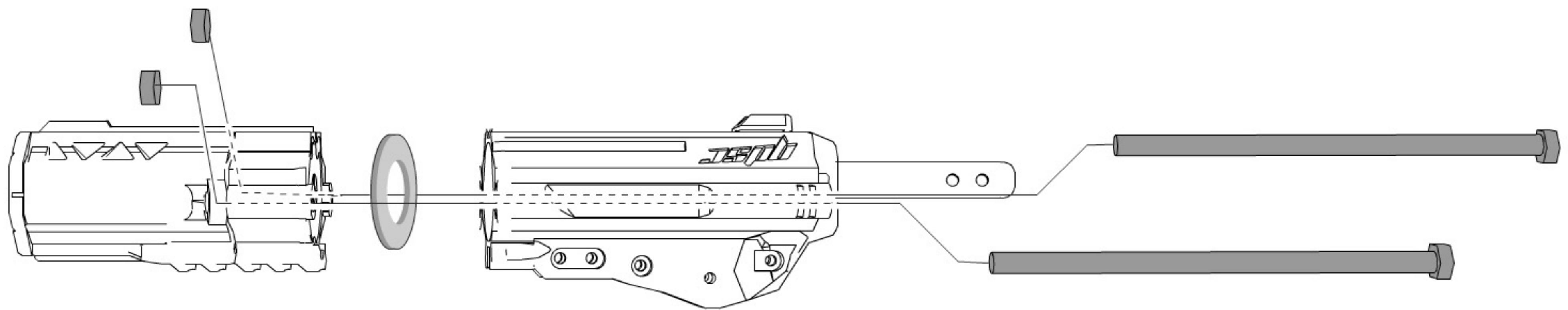
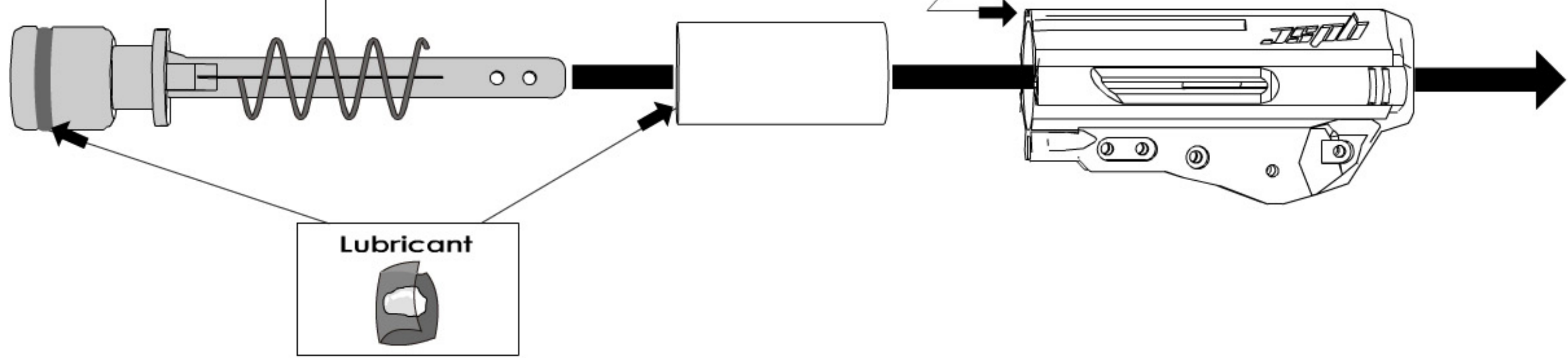
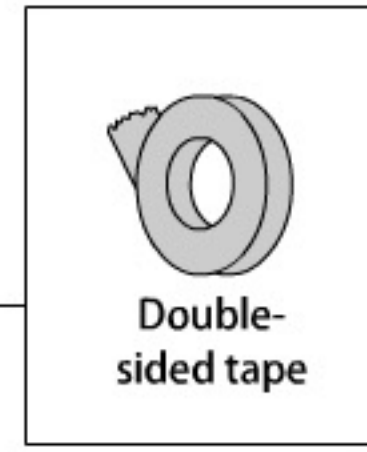
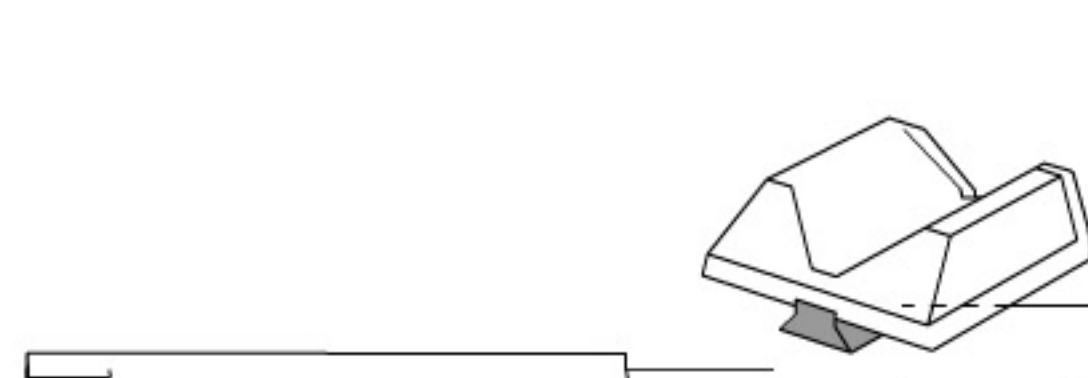
**Pentagonal  
zlin-Rifling**







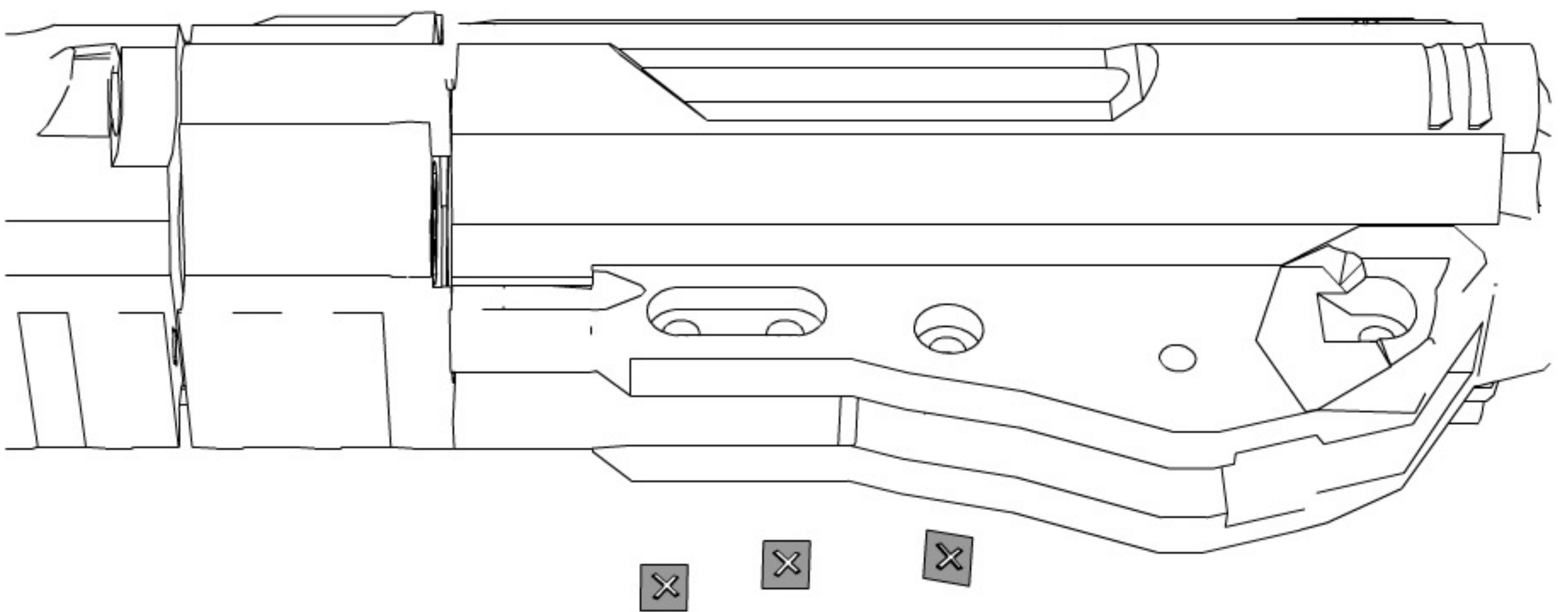
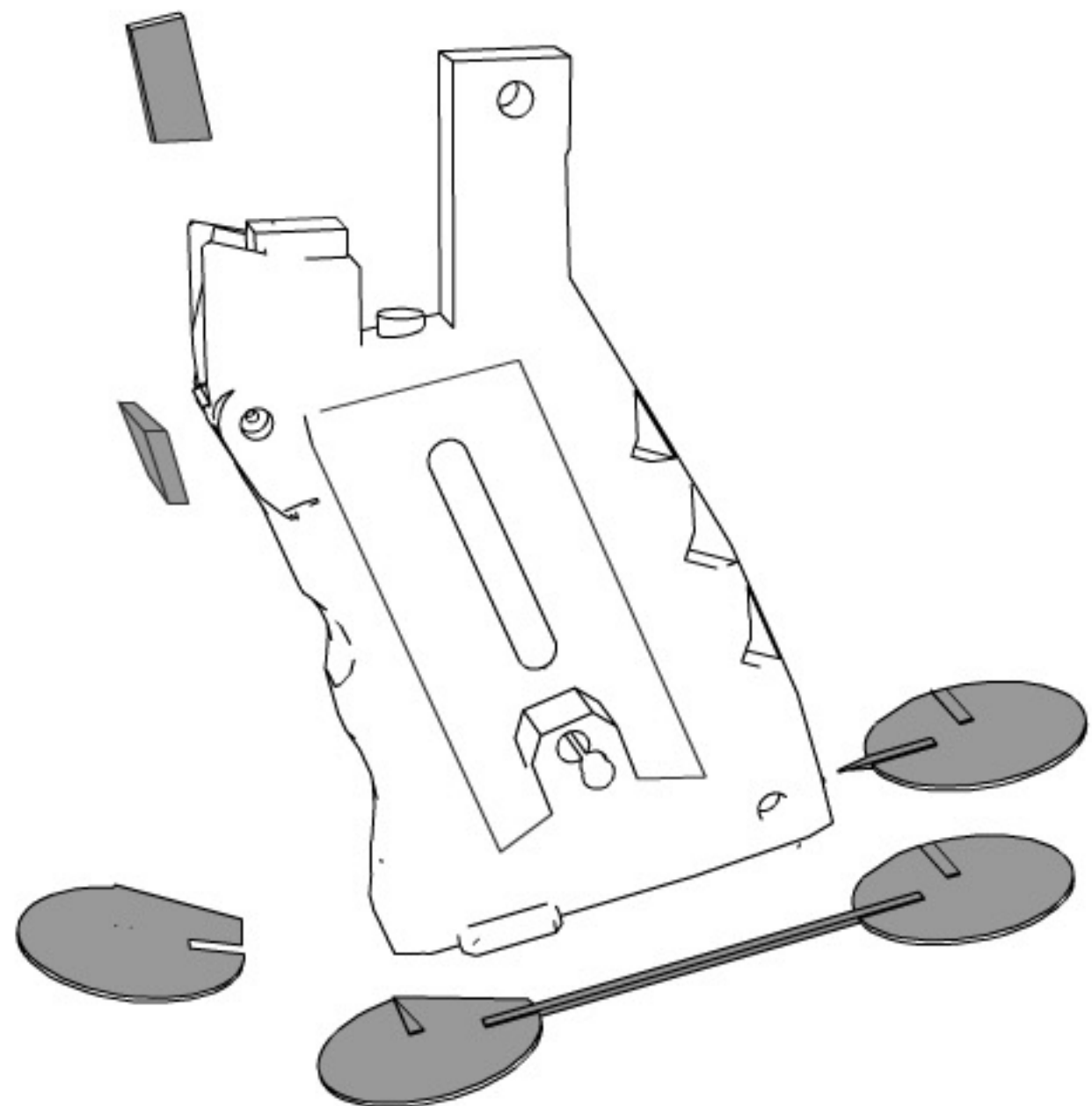
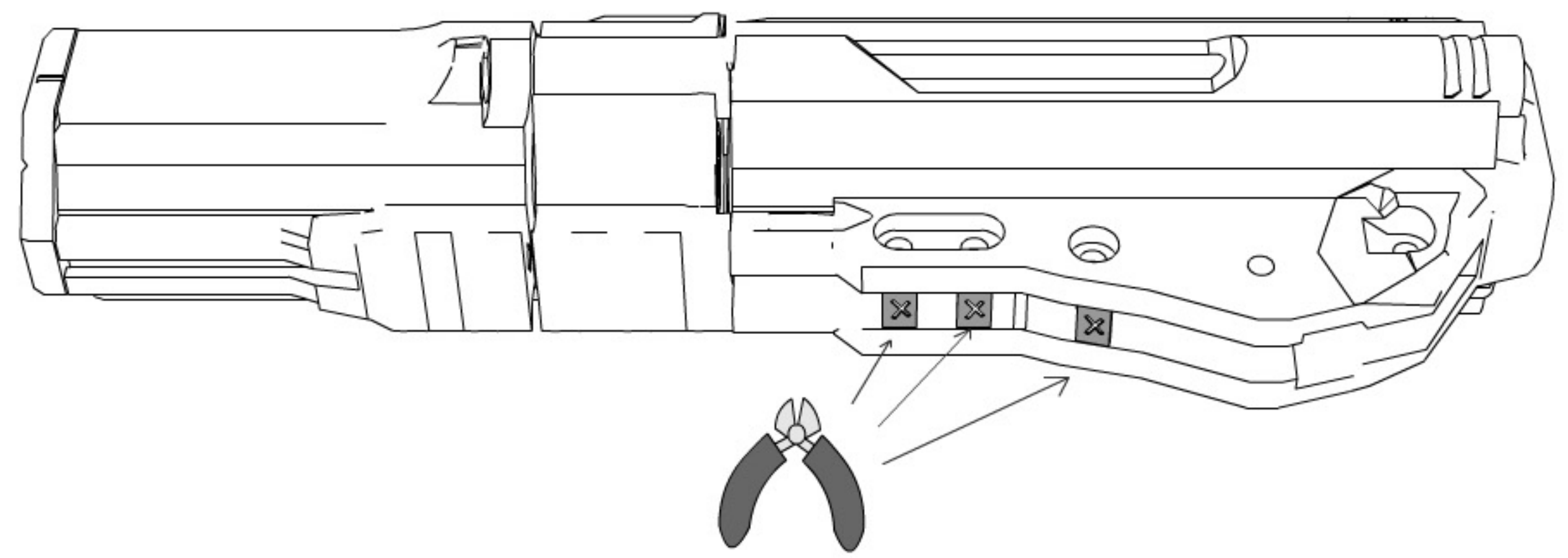
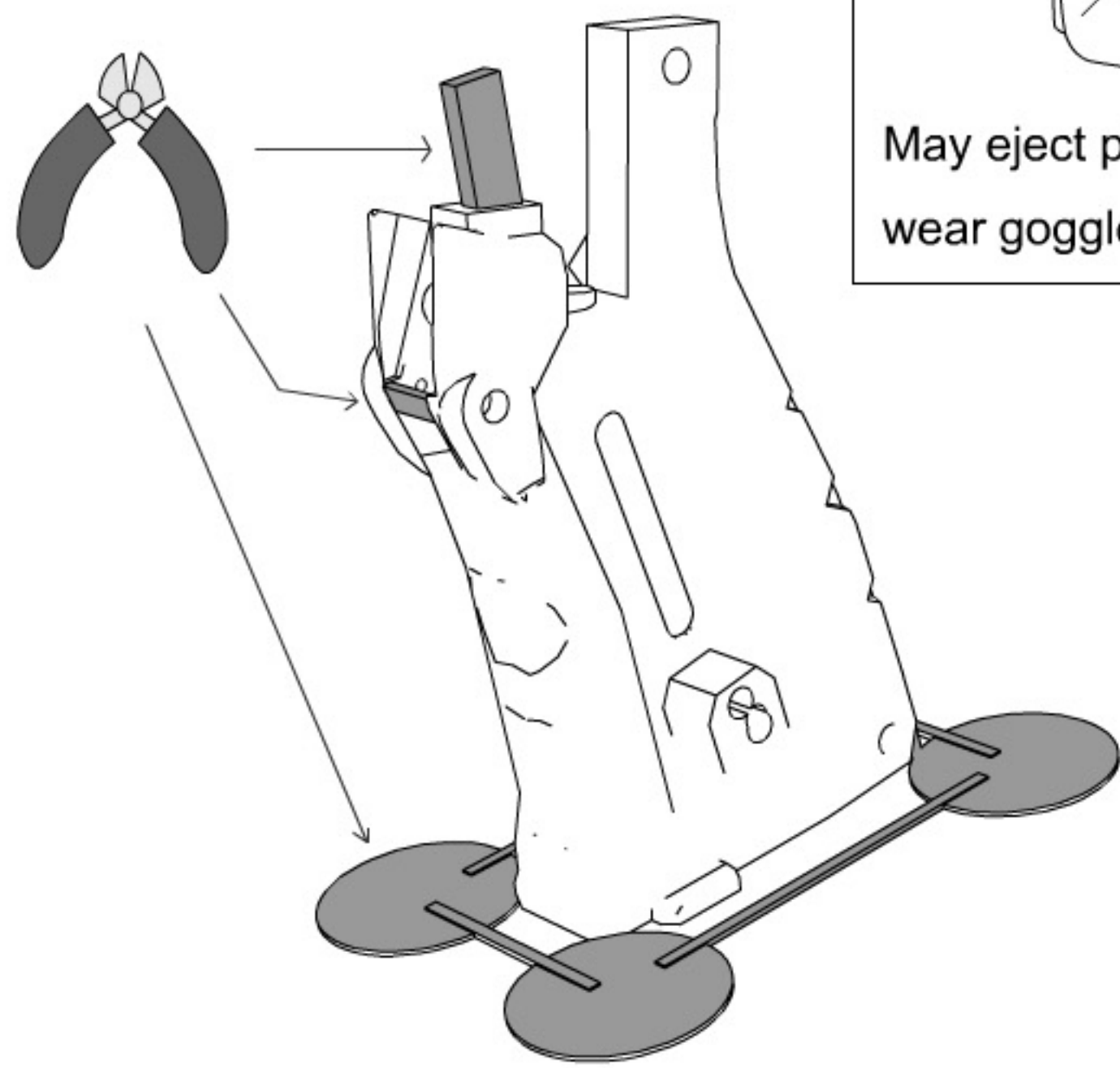
**WARNING!**  
Use a spring of less than 12 kg  
使用小於 12 kg 的彈簧

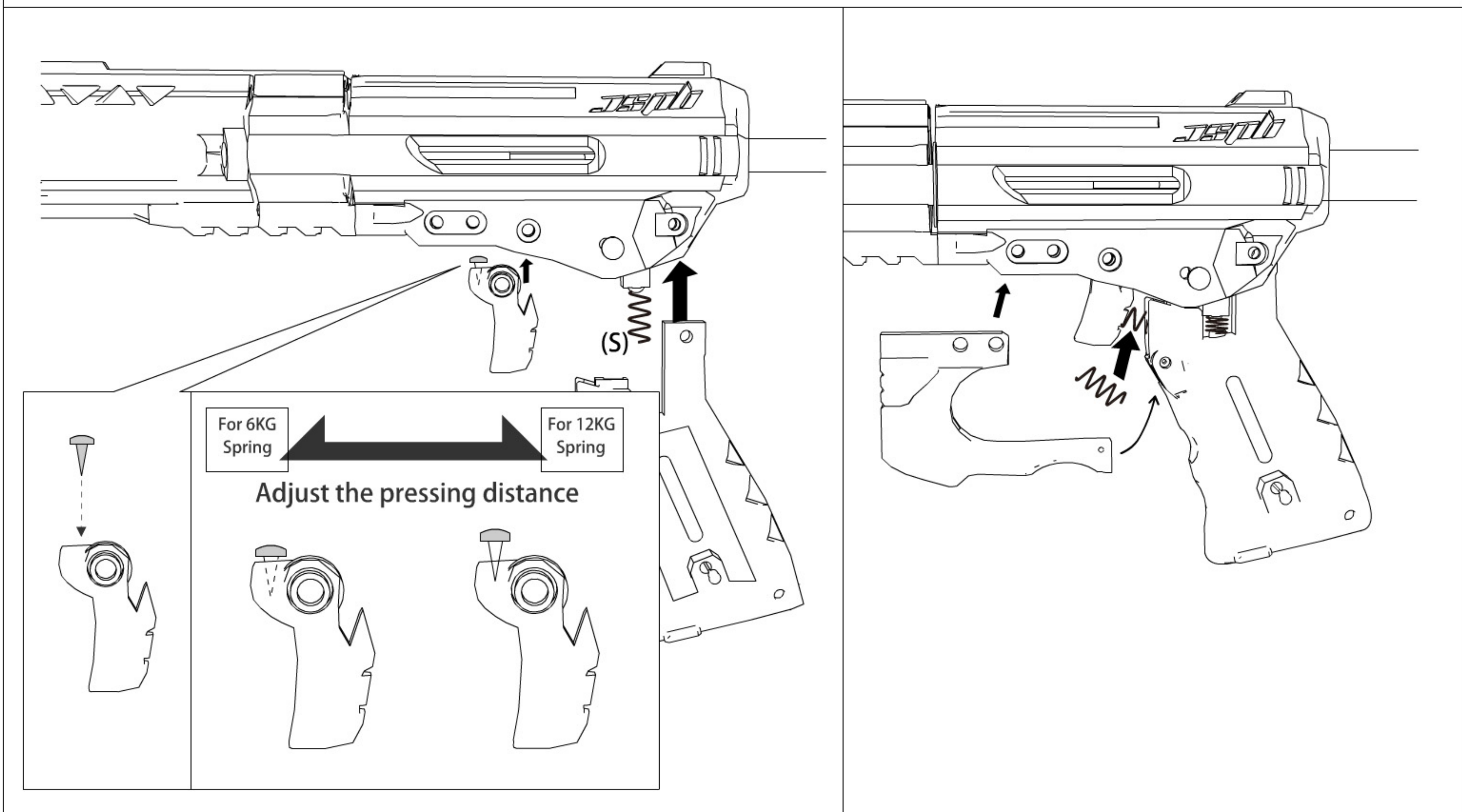
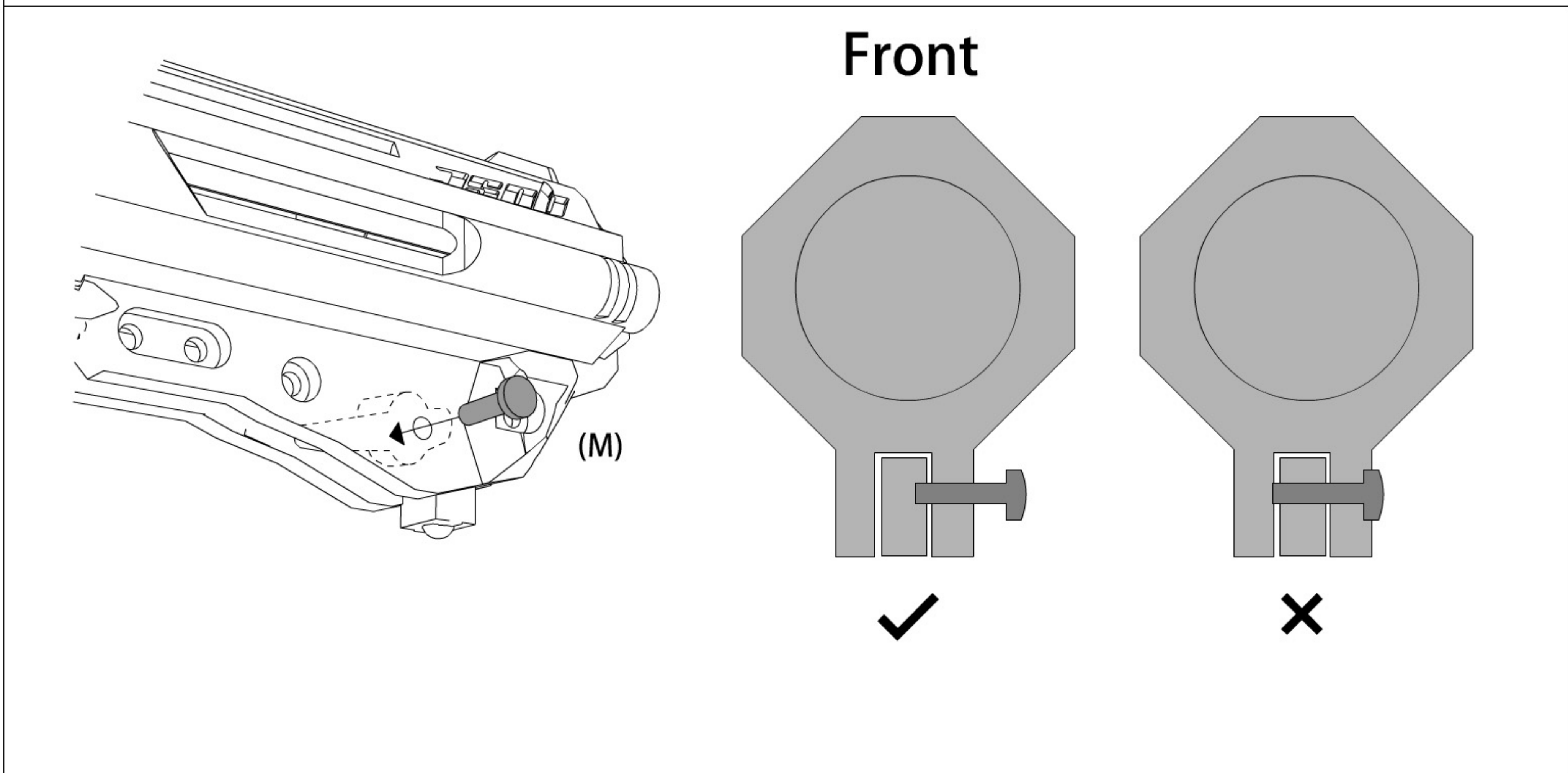
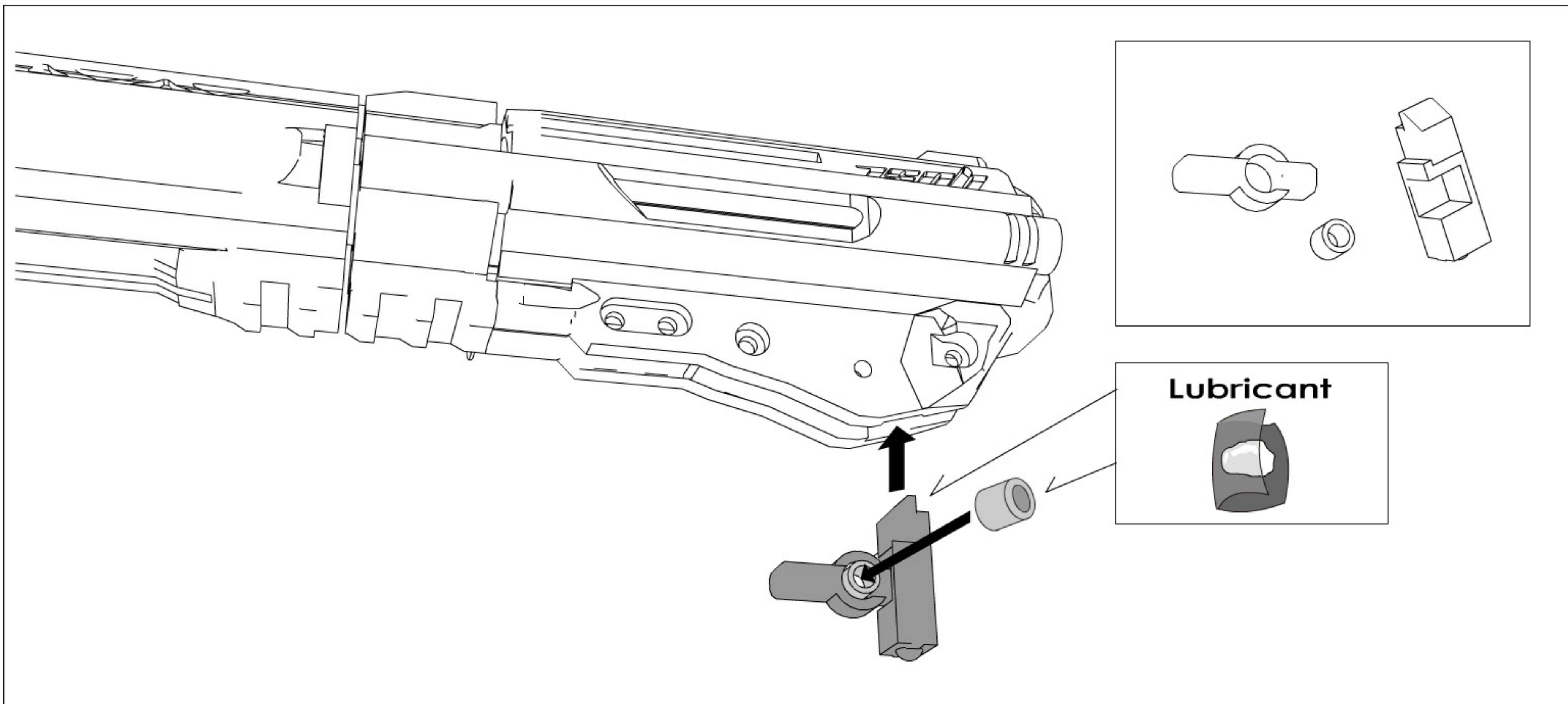


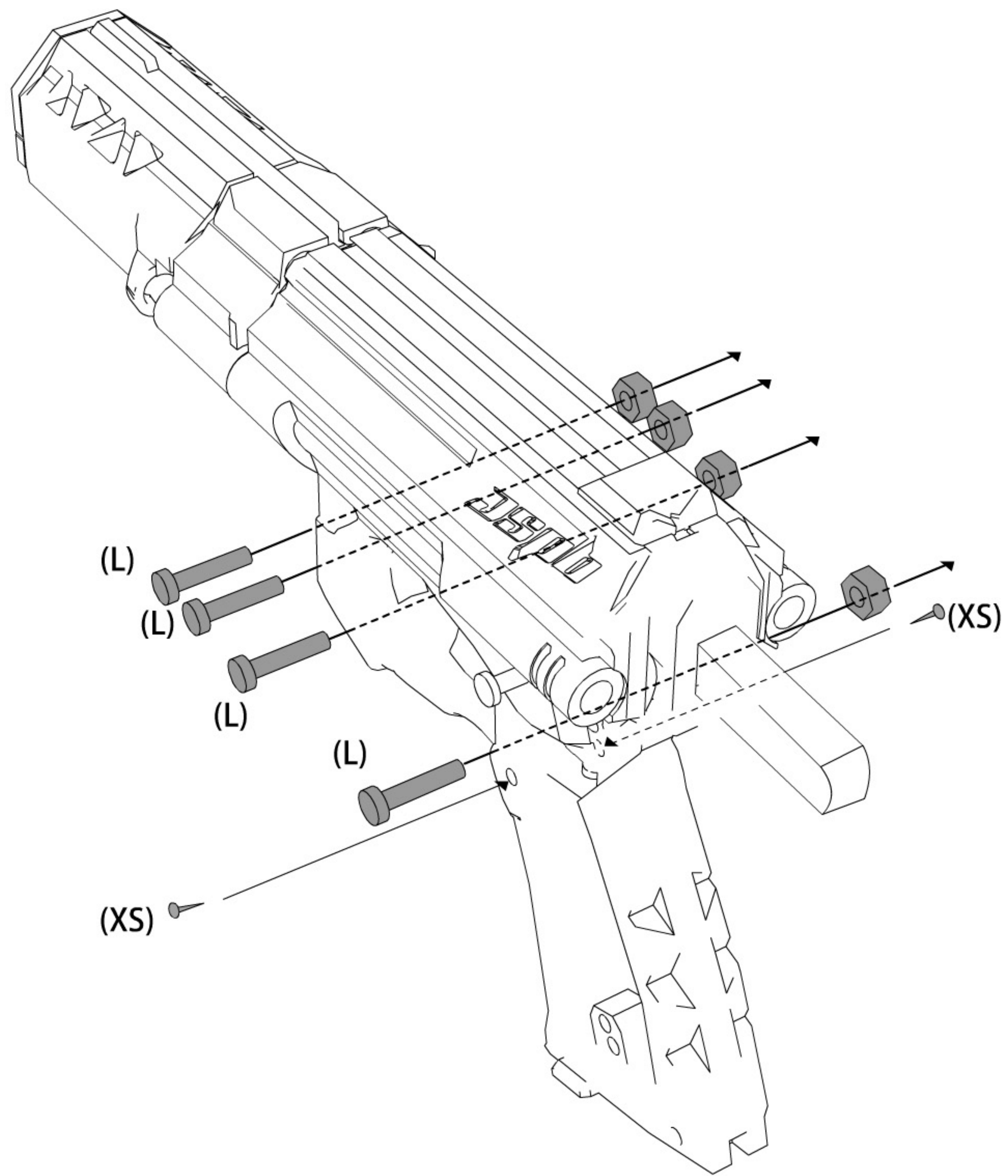
**! CAUTION! 注意!**



May eject plastic piece, 可能會彈射塑膠碎片,  
wear goggles at all times. 請穿戴護目鏡.

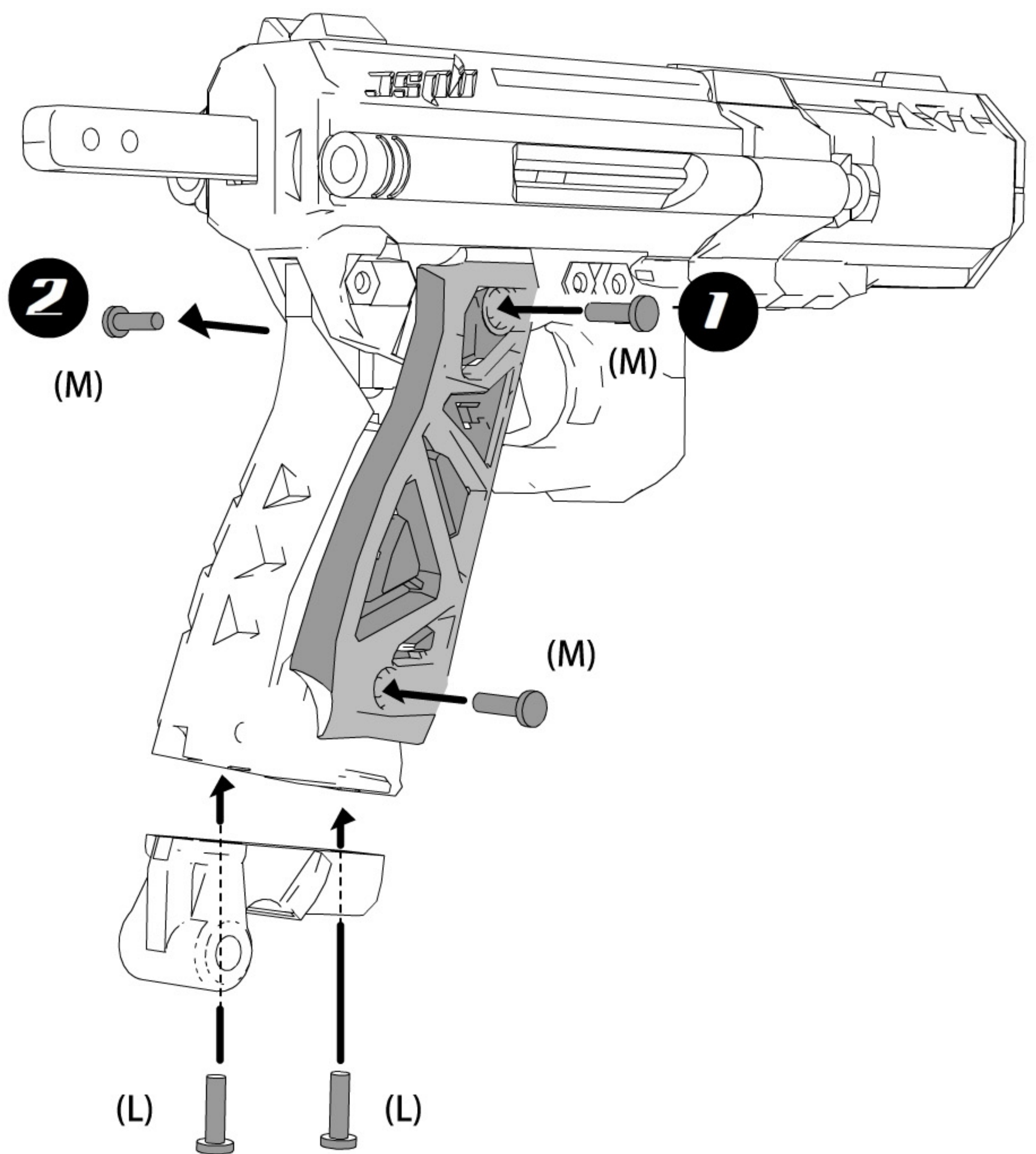
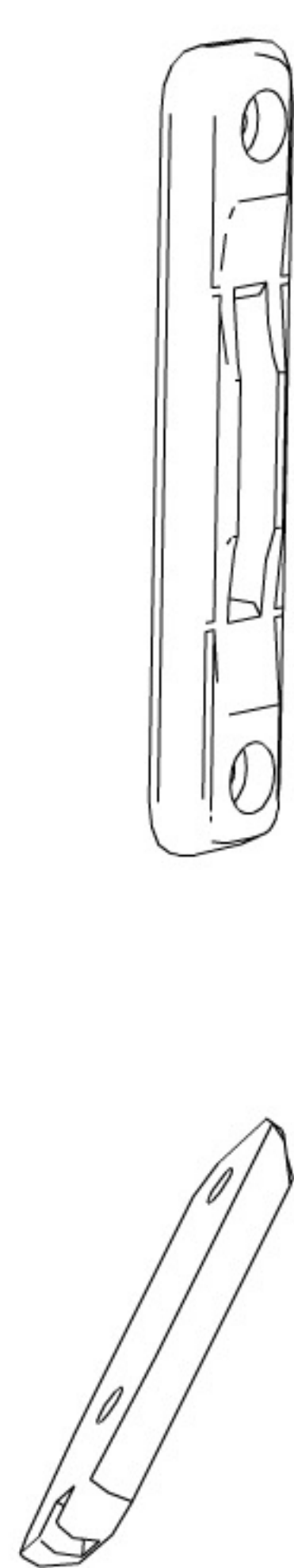
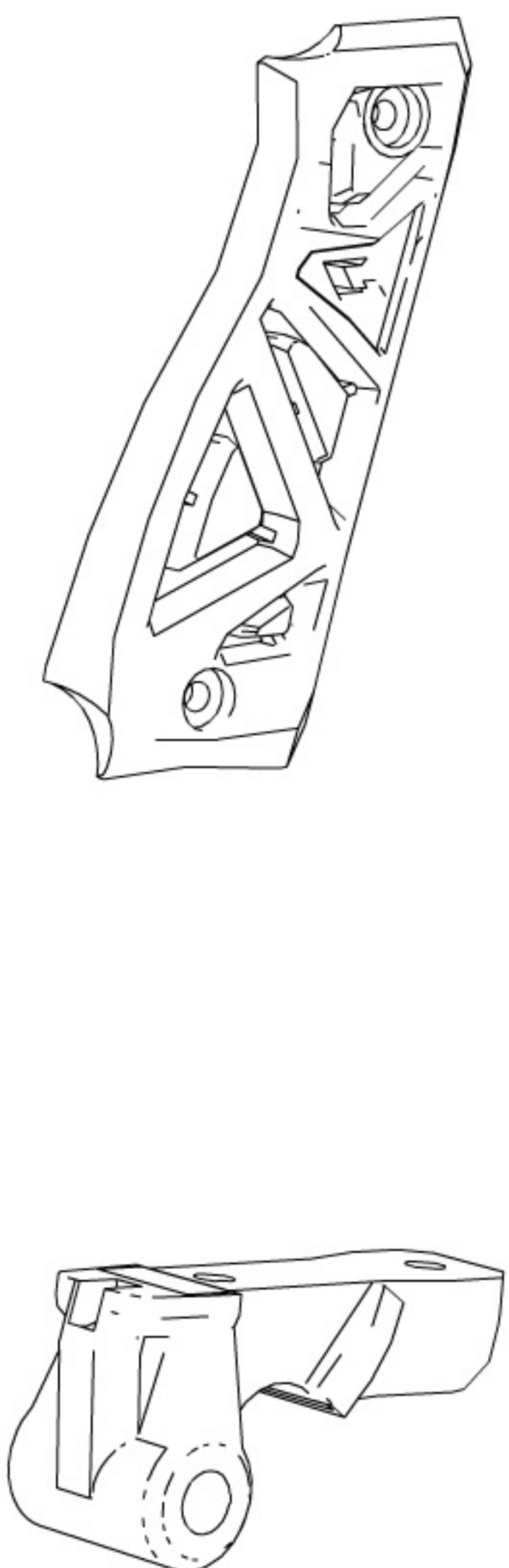






VER.  
1337

VER.  
LITE



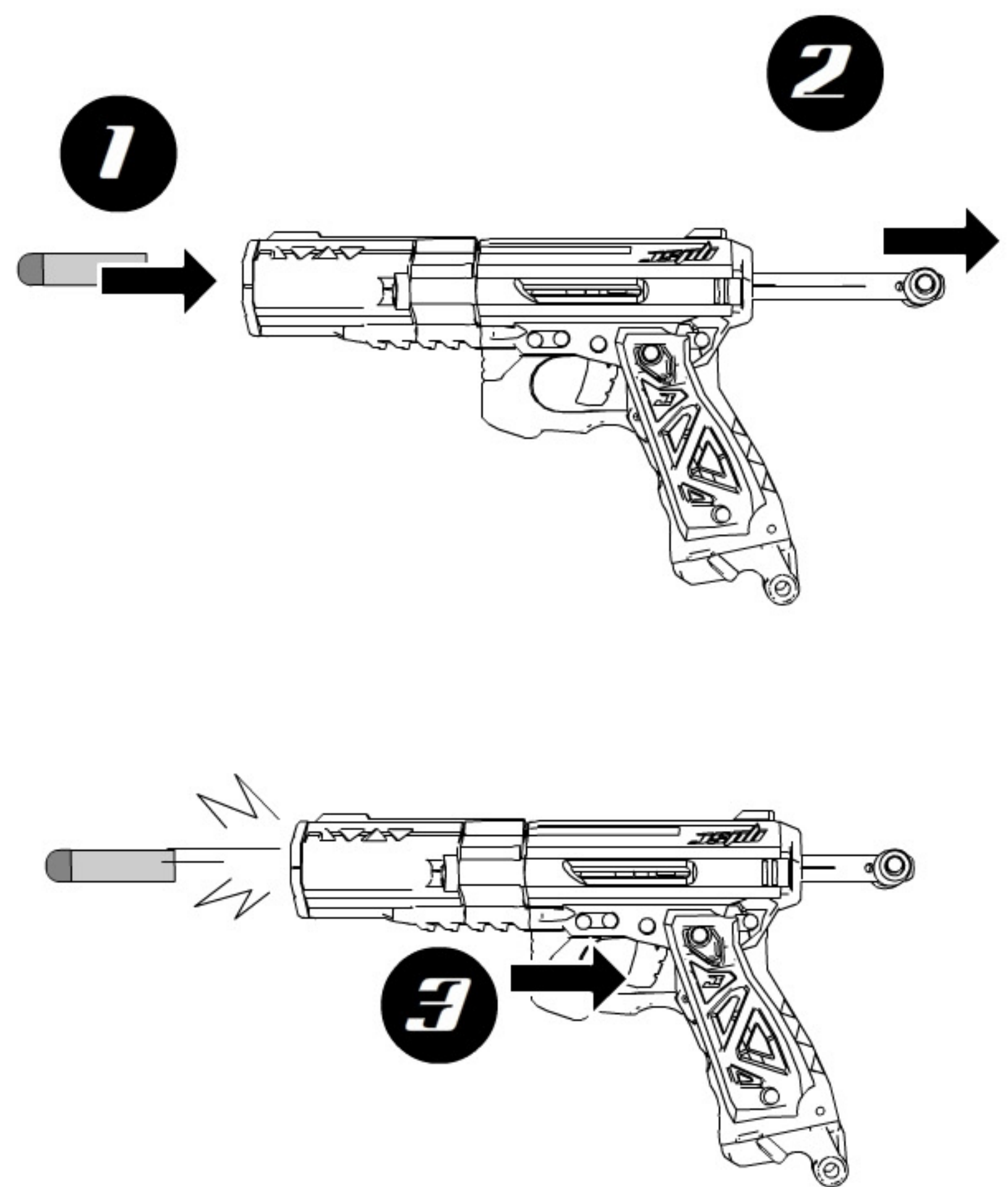
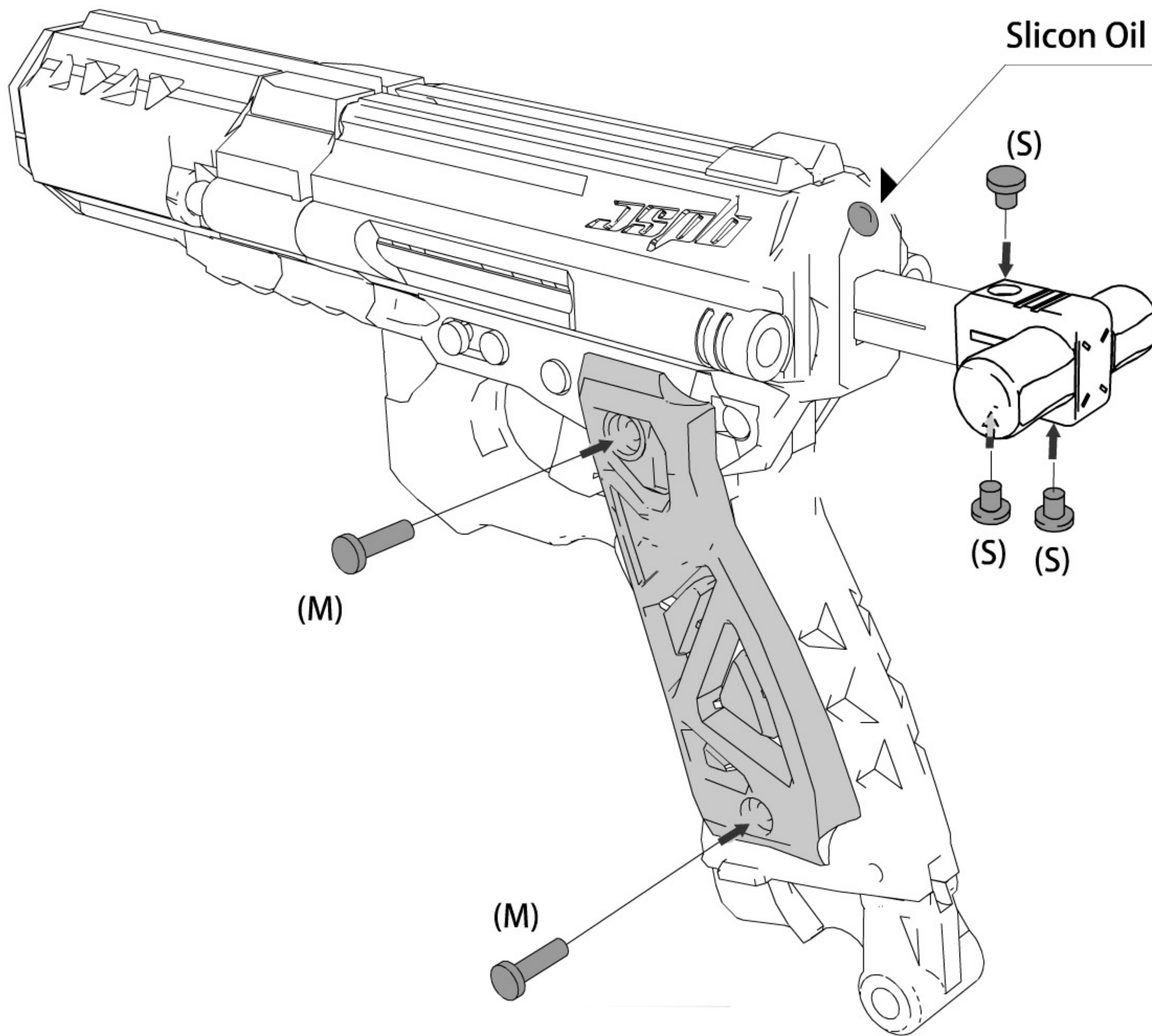


### Optimal performance:

Be sure to re-oil after shooting 300~500 rounds of Darts

保養:射擊完300發子彈後務必重新上油(不可使用黃油)

Slicon Oil 1000 CPS



**Follow JSPB !**

獲得最新消息,張貼您的作品!!

[www.facebook.com/jspbcombat](http://www.facebook.com/jspbcombat)