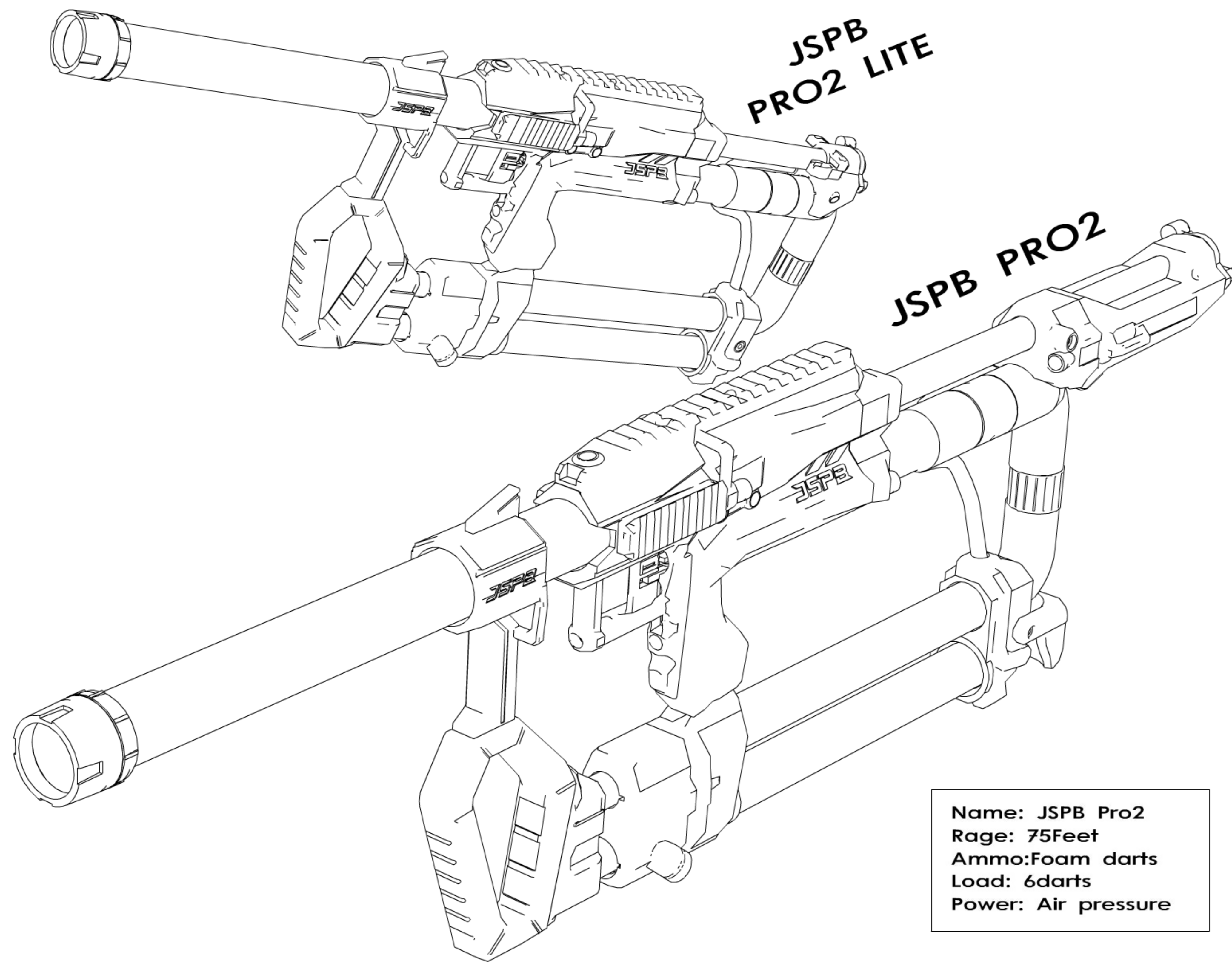


# - 3D PRINTED - JSPB PRO2 DIY-Kit

by: Ezekiel lin



**Age 14+**

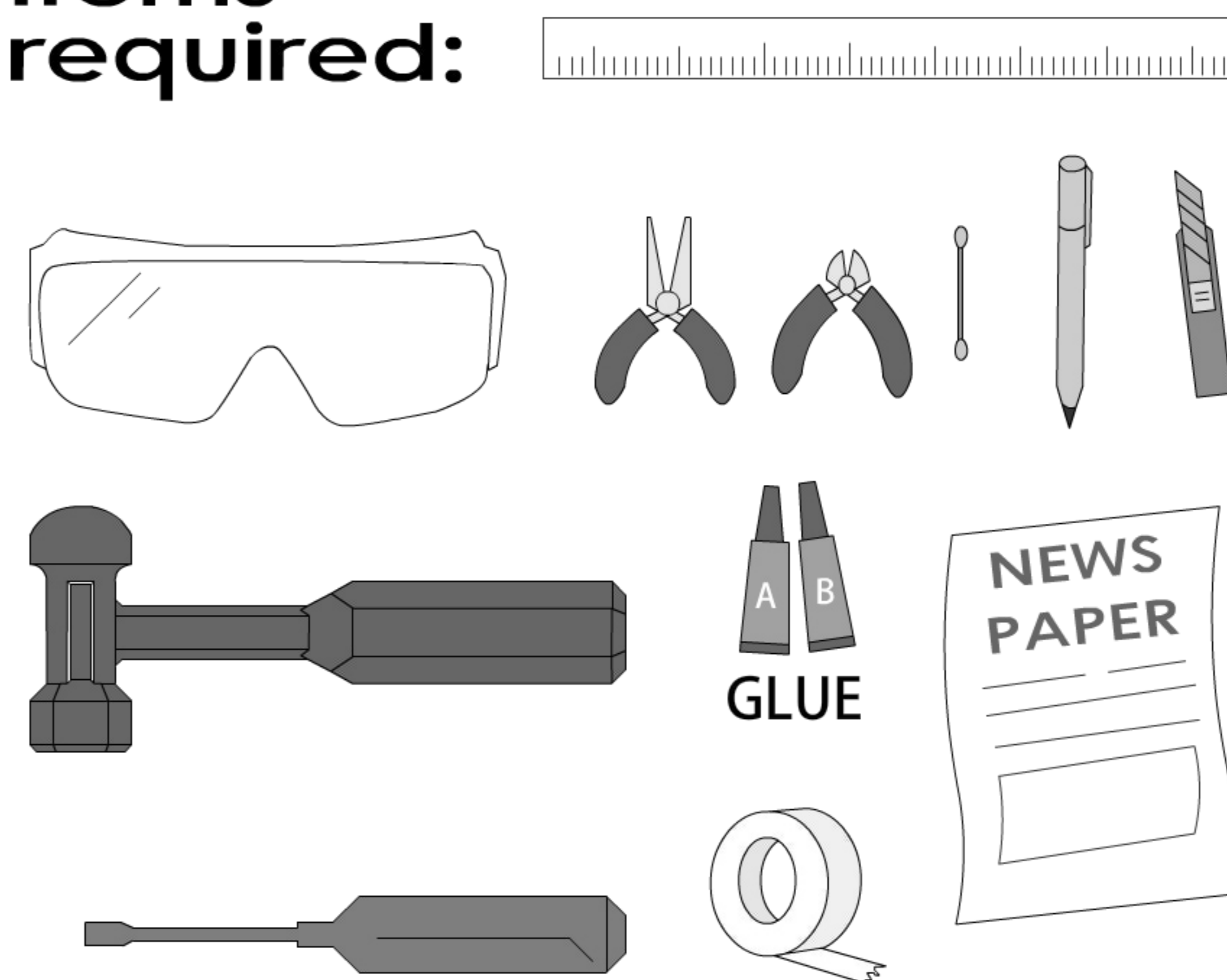
**Warning:** Choking hazard-may contain small parts. not for childer under 3years.  
**警告:** 內含細小零件, 遠離幼童請勿吞食.

**Wear goggles at all times.**

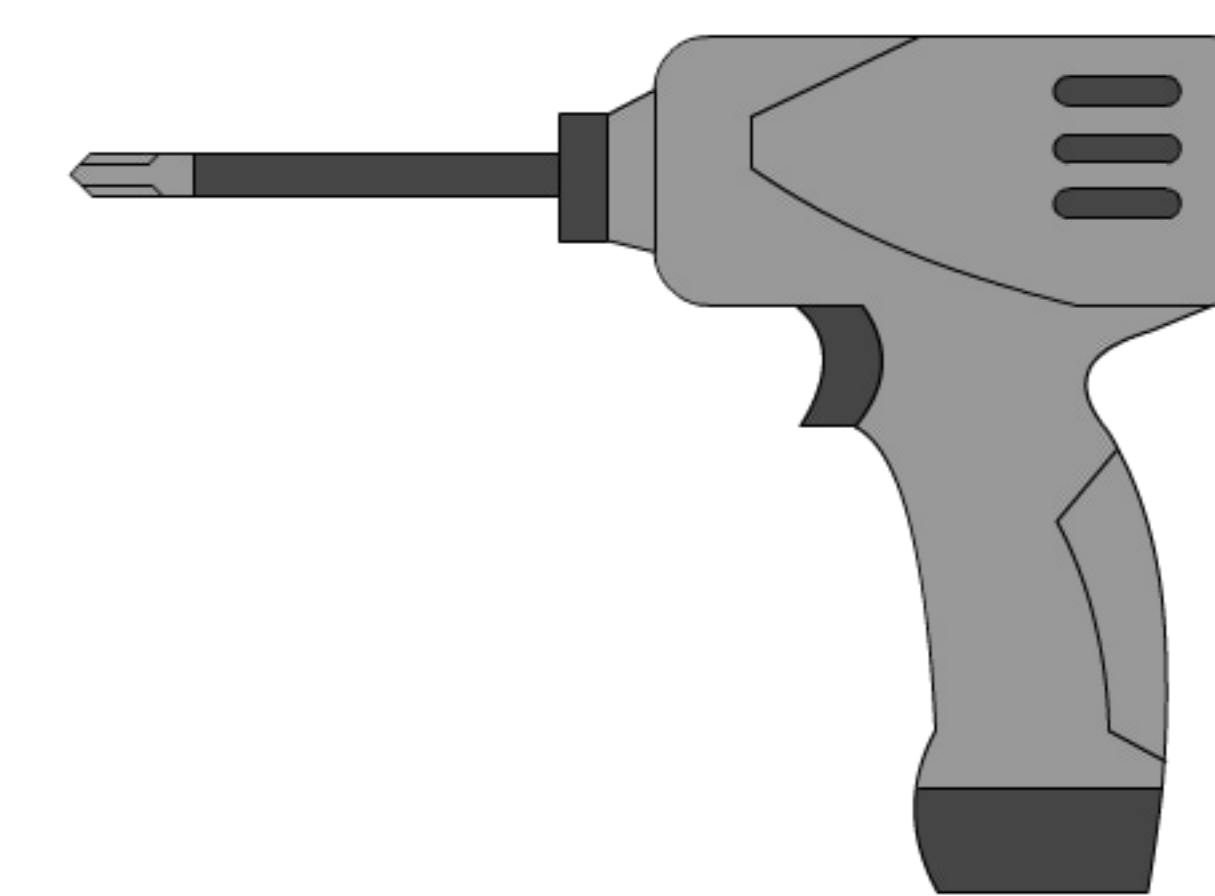
[ 3D列印JSPB專業組合套件 ]  
**Manual** [說明書]

Read and fully understand the instructions prior to use. The supervising adult should also read the instructions if a child is using the model. Keep instructions for future reference.  
 使用前請詳細閱讀理解說明書。如果孩童操縱使用, 監護人也需閱讀說明書。

**Items 請自備  
 required:**



**建議使用  
 Recommend:**



**警告**

- 14歲以下請家長陪同使用。
- 細小零件避免兒童吞食。
- 小心操縱工具以免受傷。
- 接著劑使用前請先閱讀包裝說明。
- 請勿在公共空間驚嚇或攻擊他人。
- 請勿再捷運, 火車, 飛機上遊玩。
- 請勿瞄準頭或臉。
- 請勿攻擊他人財產或是動物。
- 黑色塗裝攜帶時必須放入槍袋。
- 改造請依照當地法規合法改造。

**注意**

- 製作或遊戲時請戴上護目鏡。
- 操縱黏膠或潤滑油不能接觸眼睛, 如果不慎接觸請大量沖水並且就醫。
- 請在通風環境下使用接著劑。
- 接著劑5分鐘乾涸, 請分段使用。
- 沾黏的接著劑可用A4紙或報紙擦拭。
- 3D列印材質PLA, 水管為PVC。
- 小心水管與零件銳邊, 使用砂紙打磨。
- 變形損壞的JSPB請勿再使用。
- 請先清點材料, 如有缺件請聯絡購買處。

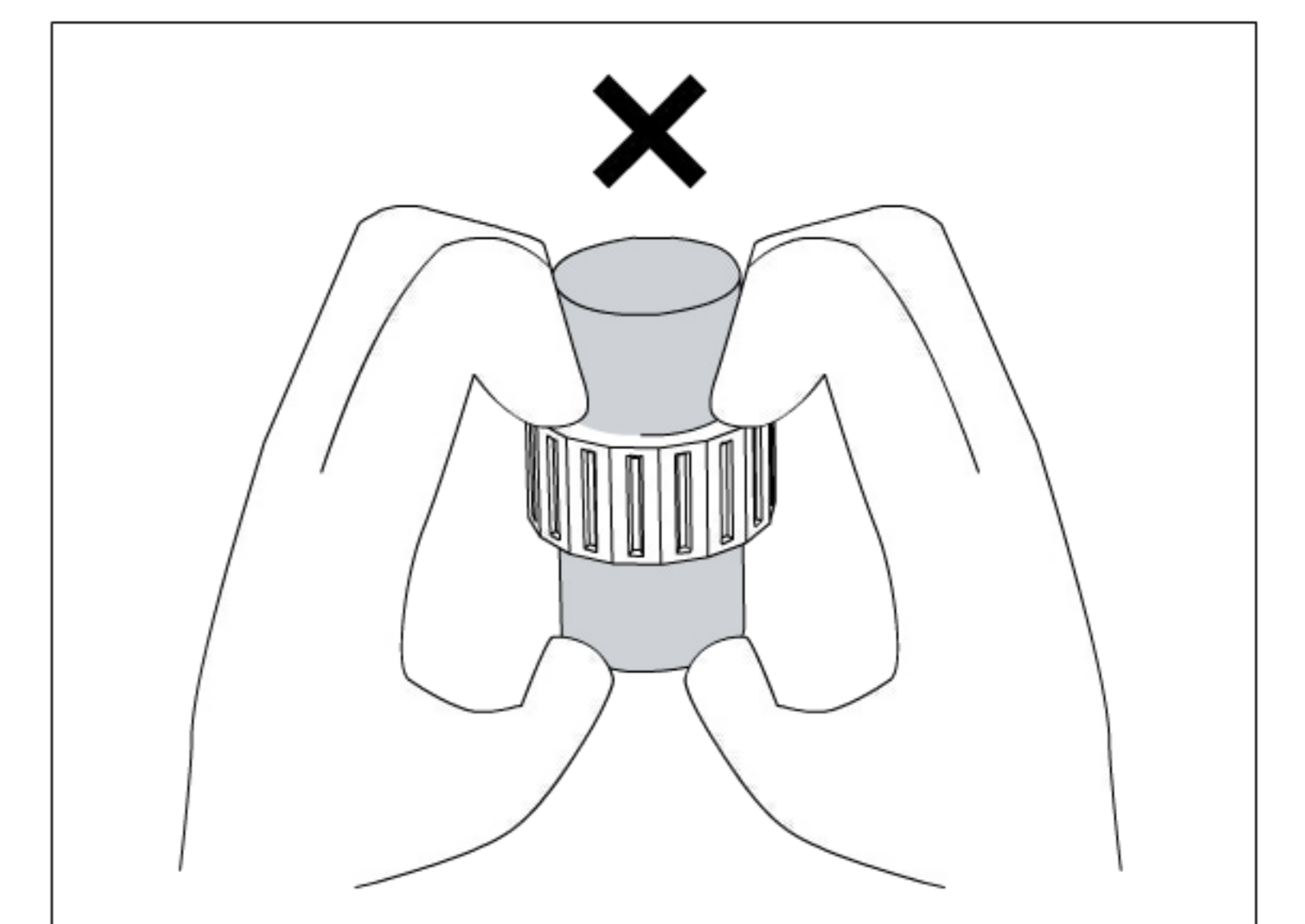
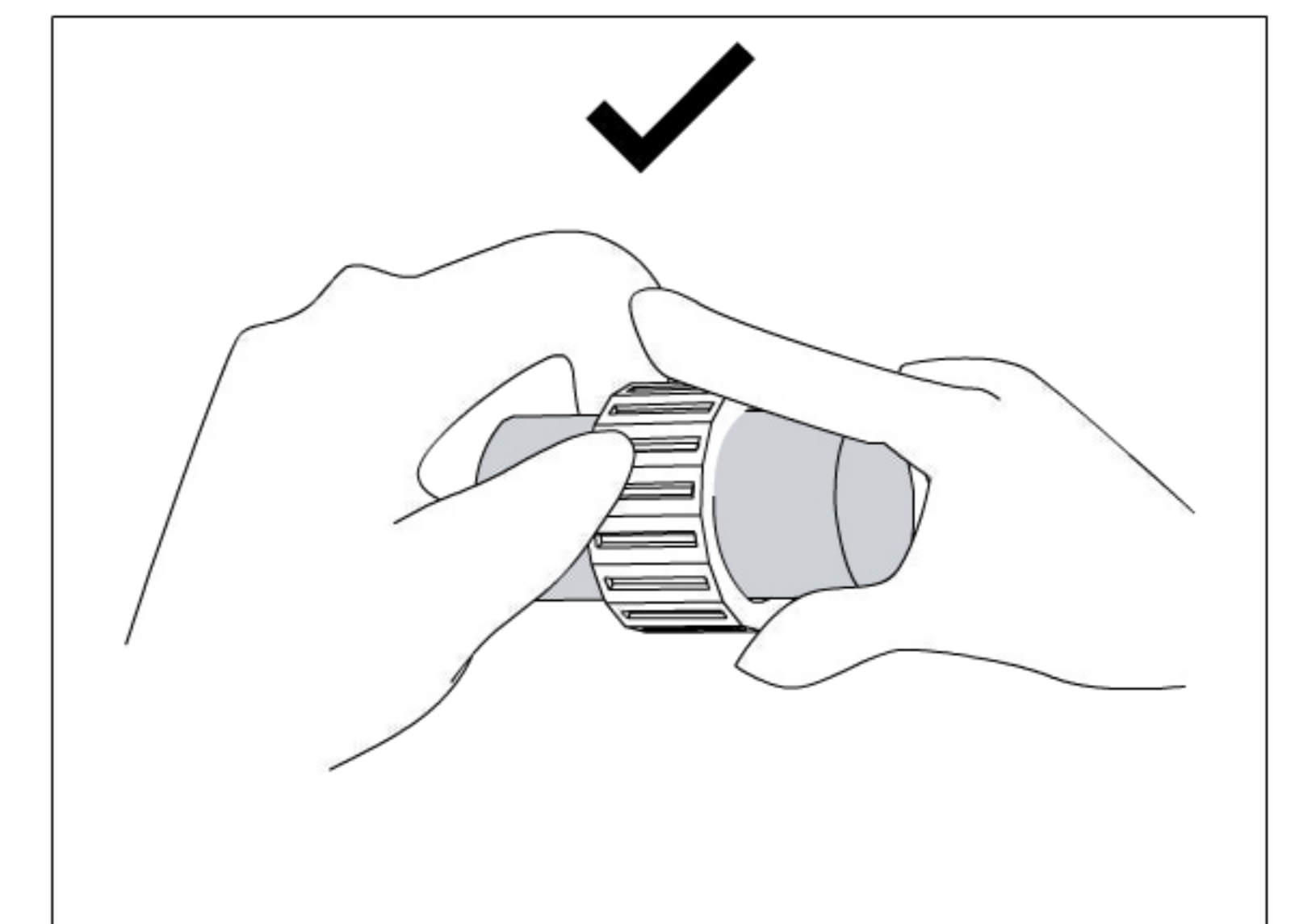
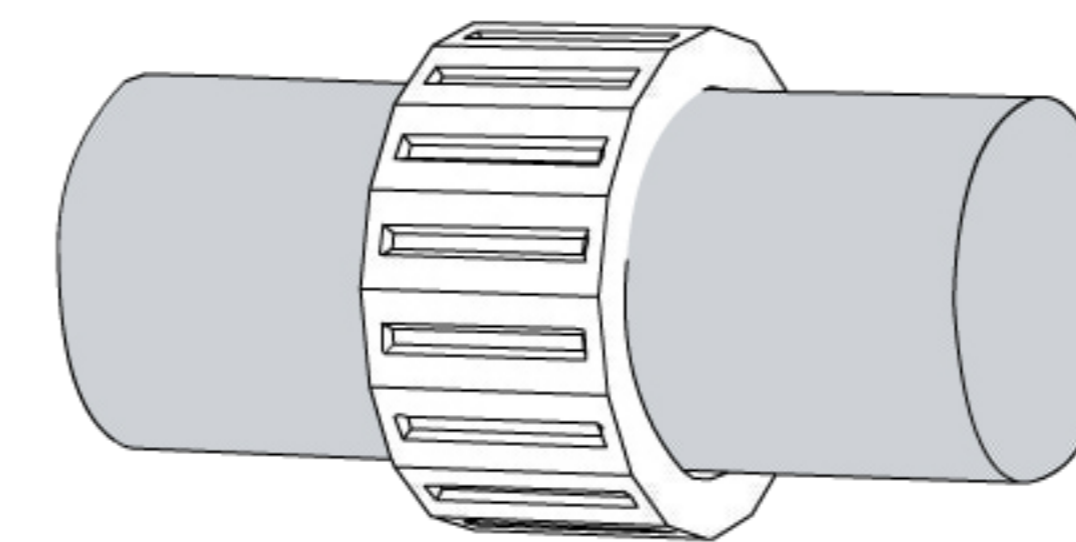
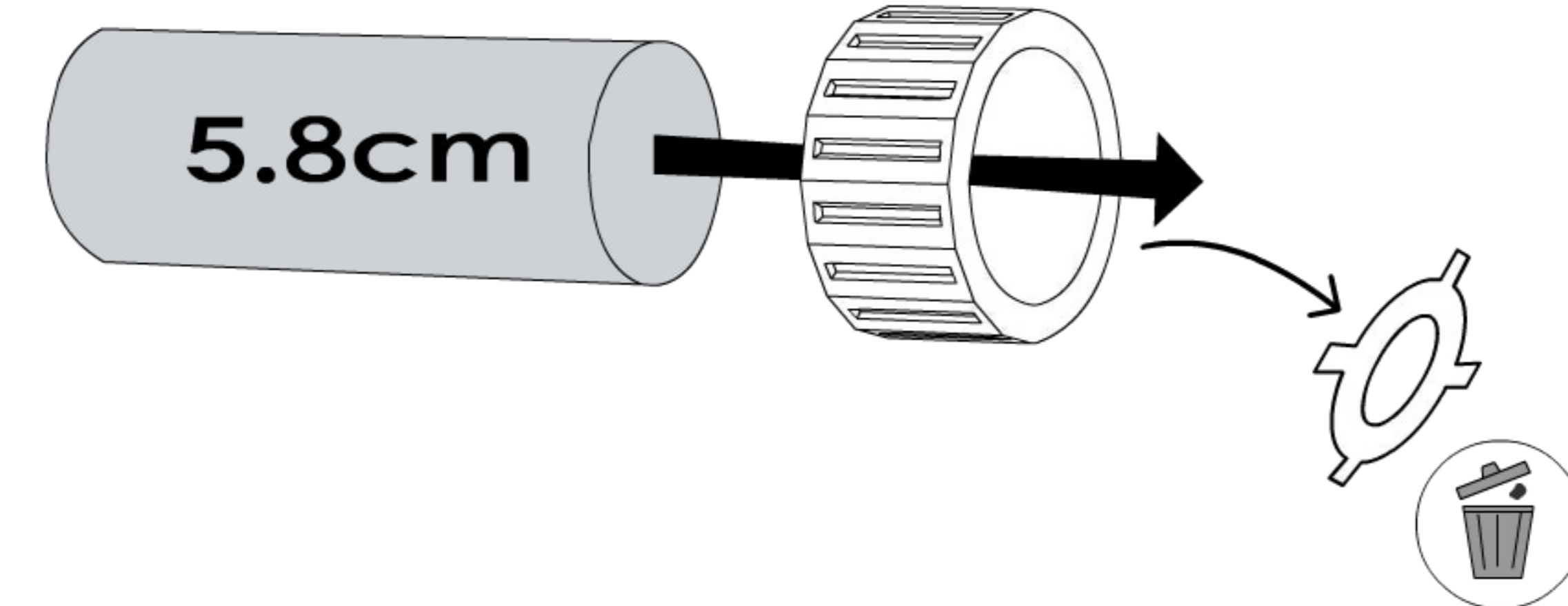
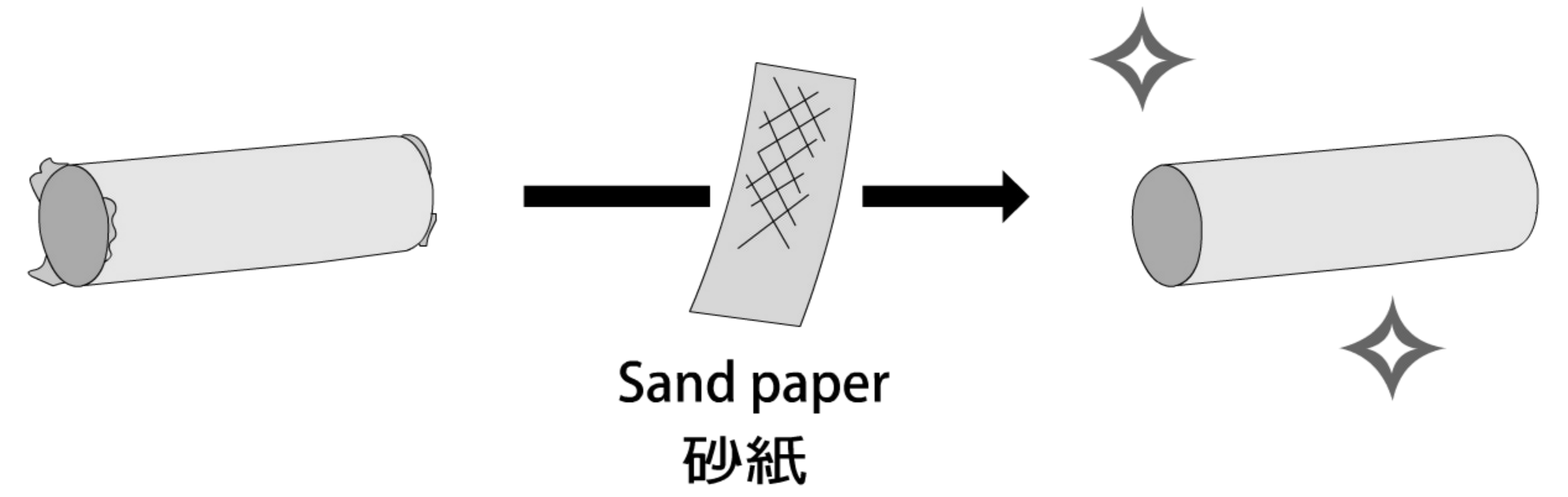
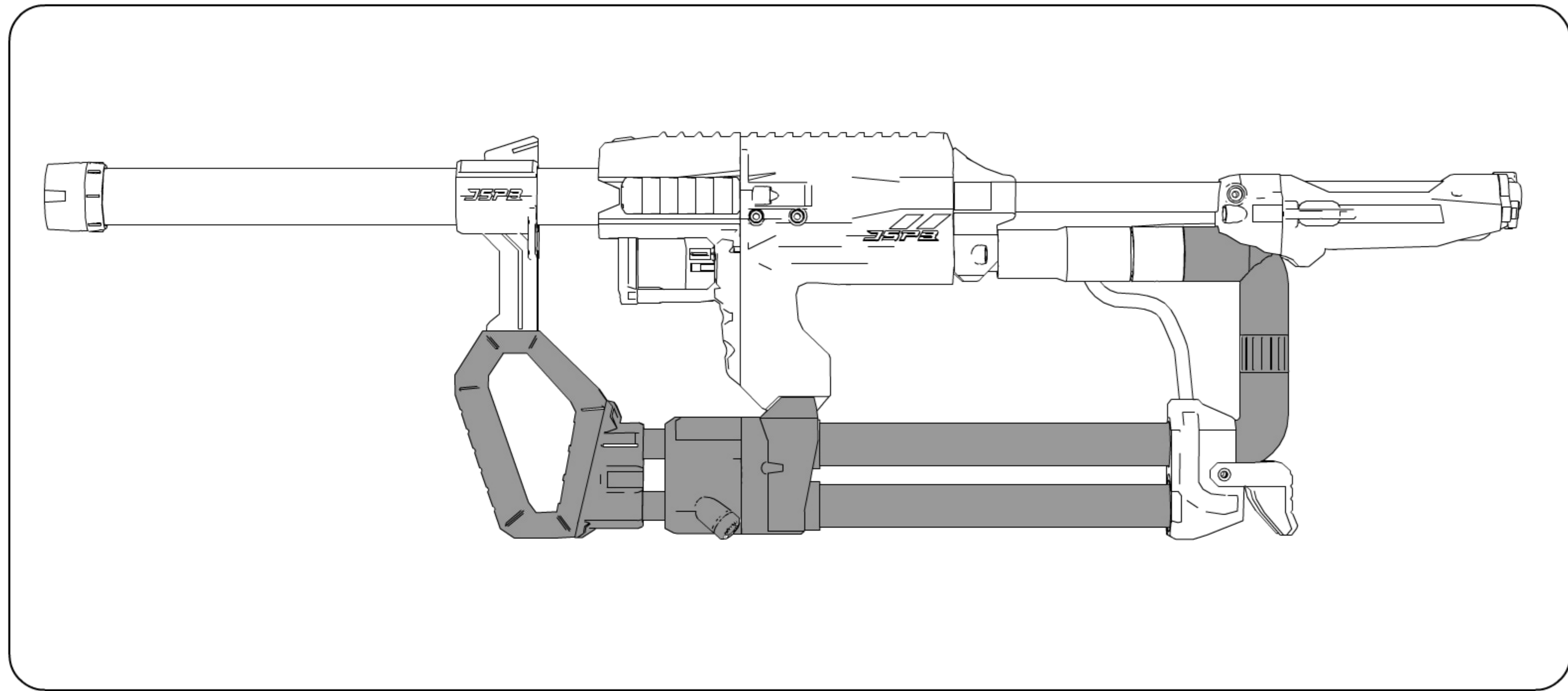
**WARNING!**

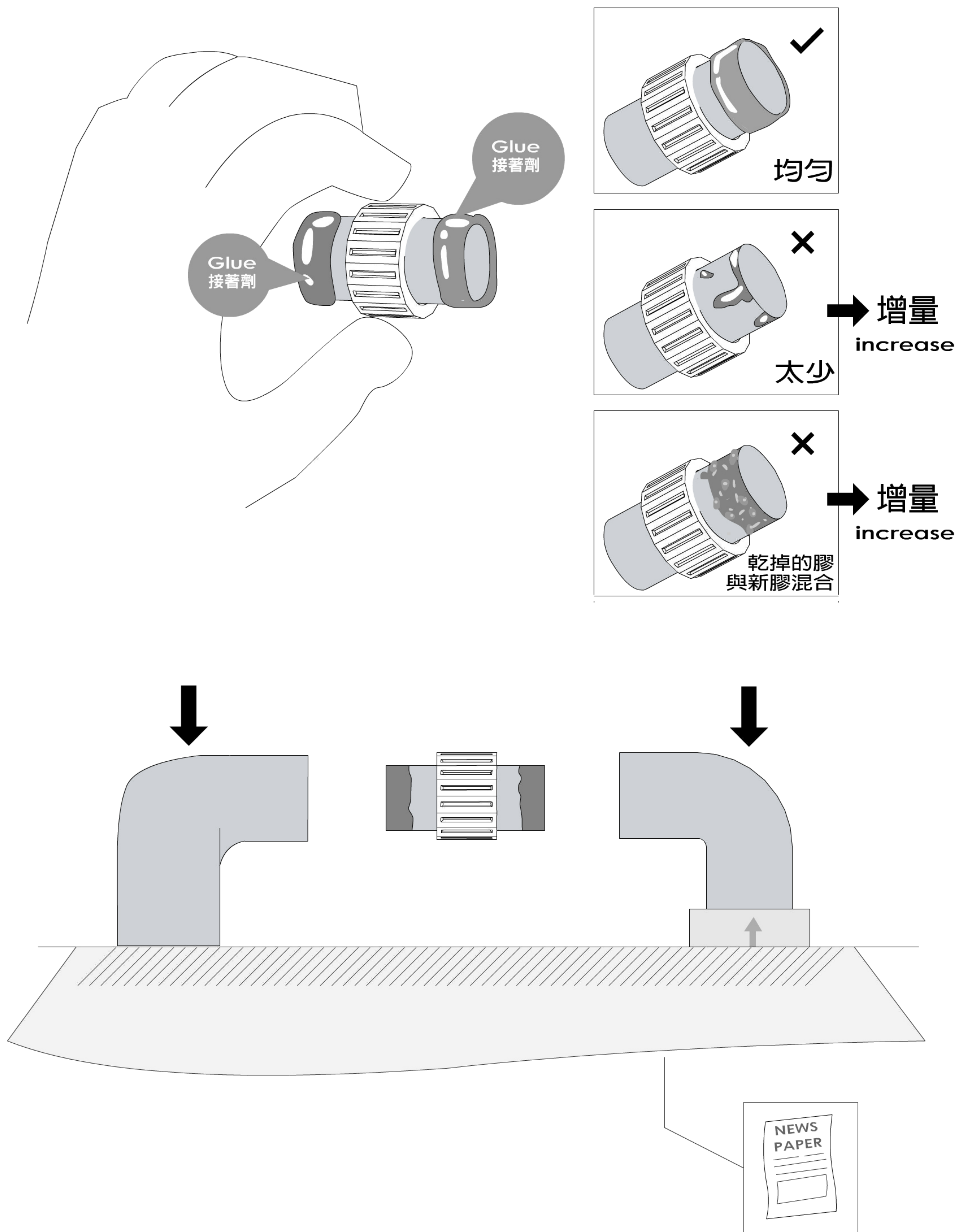
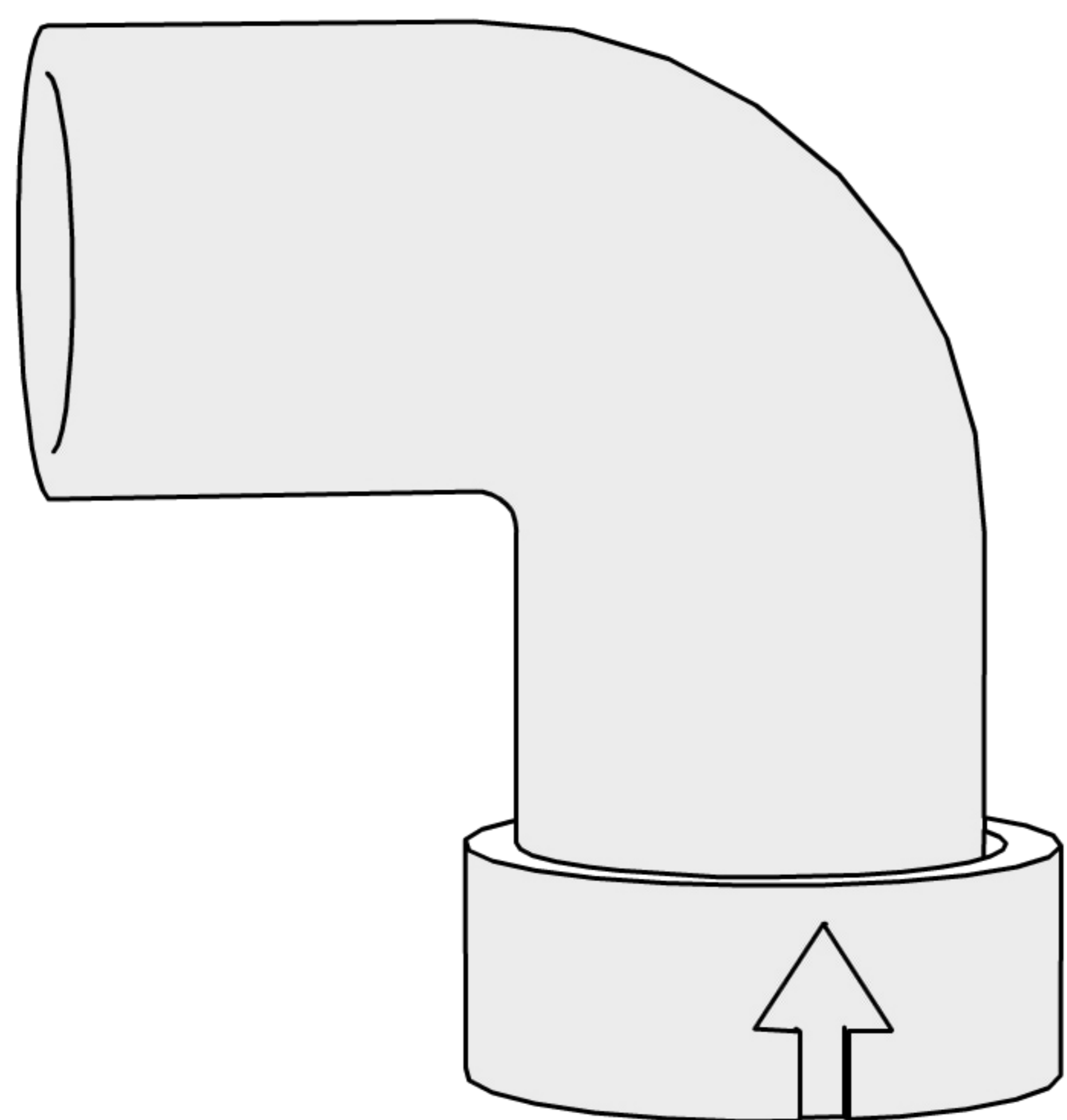
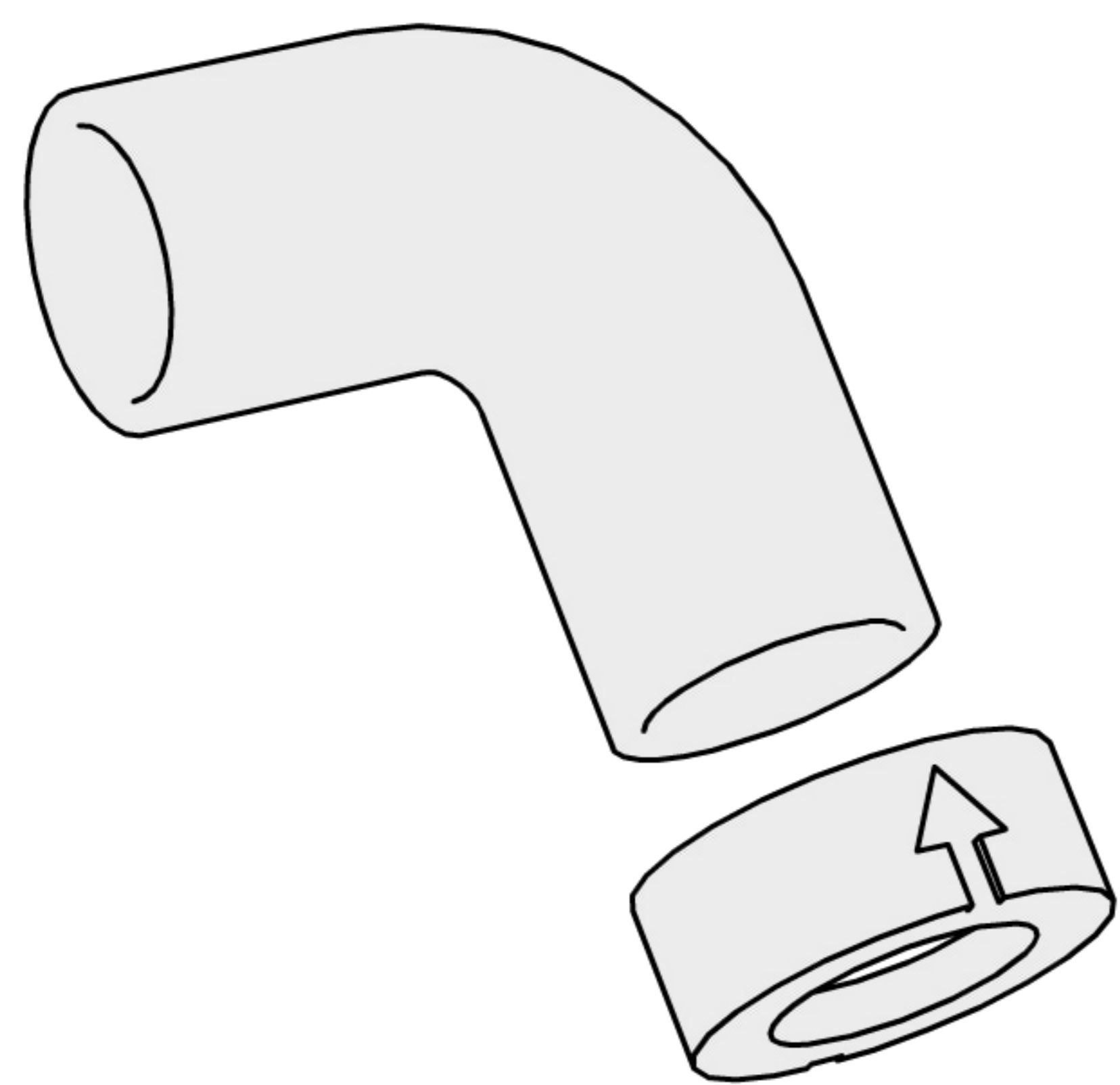
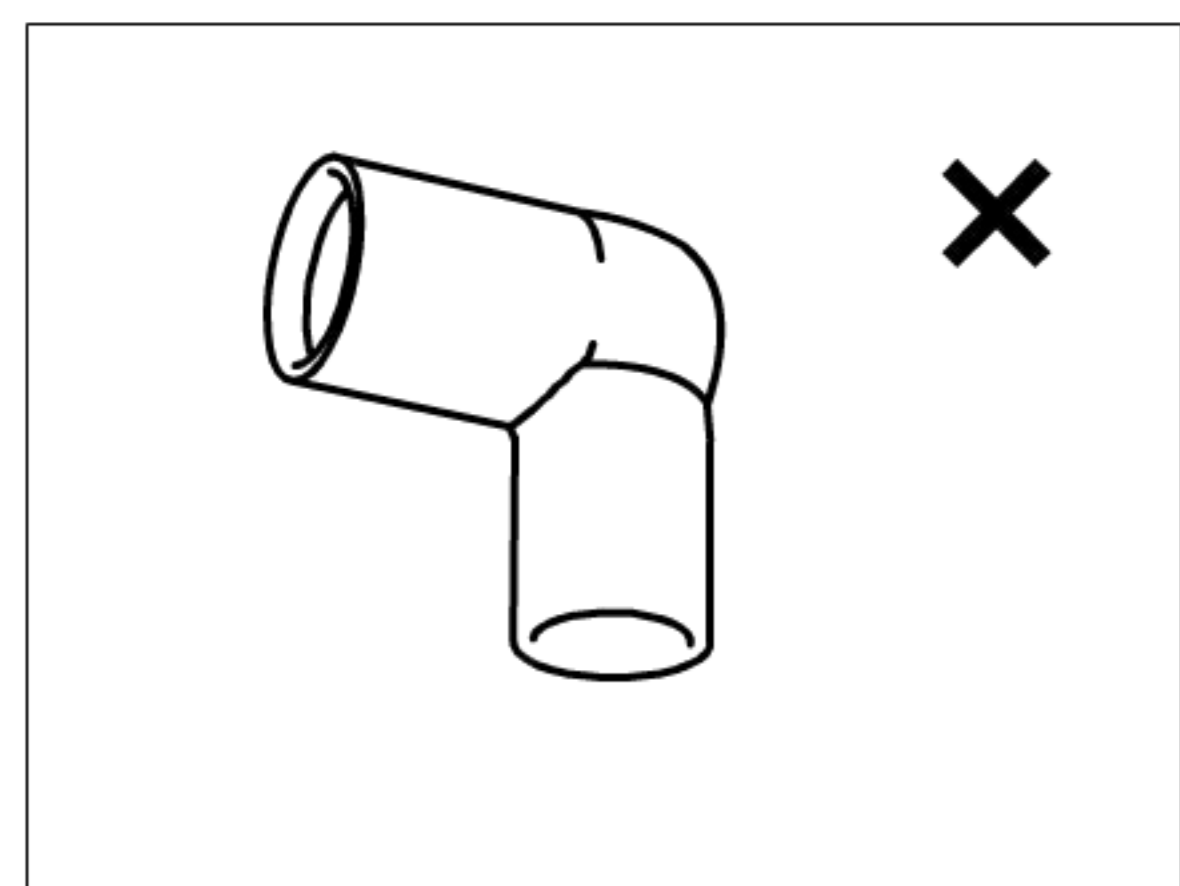
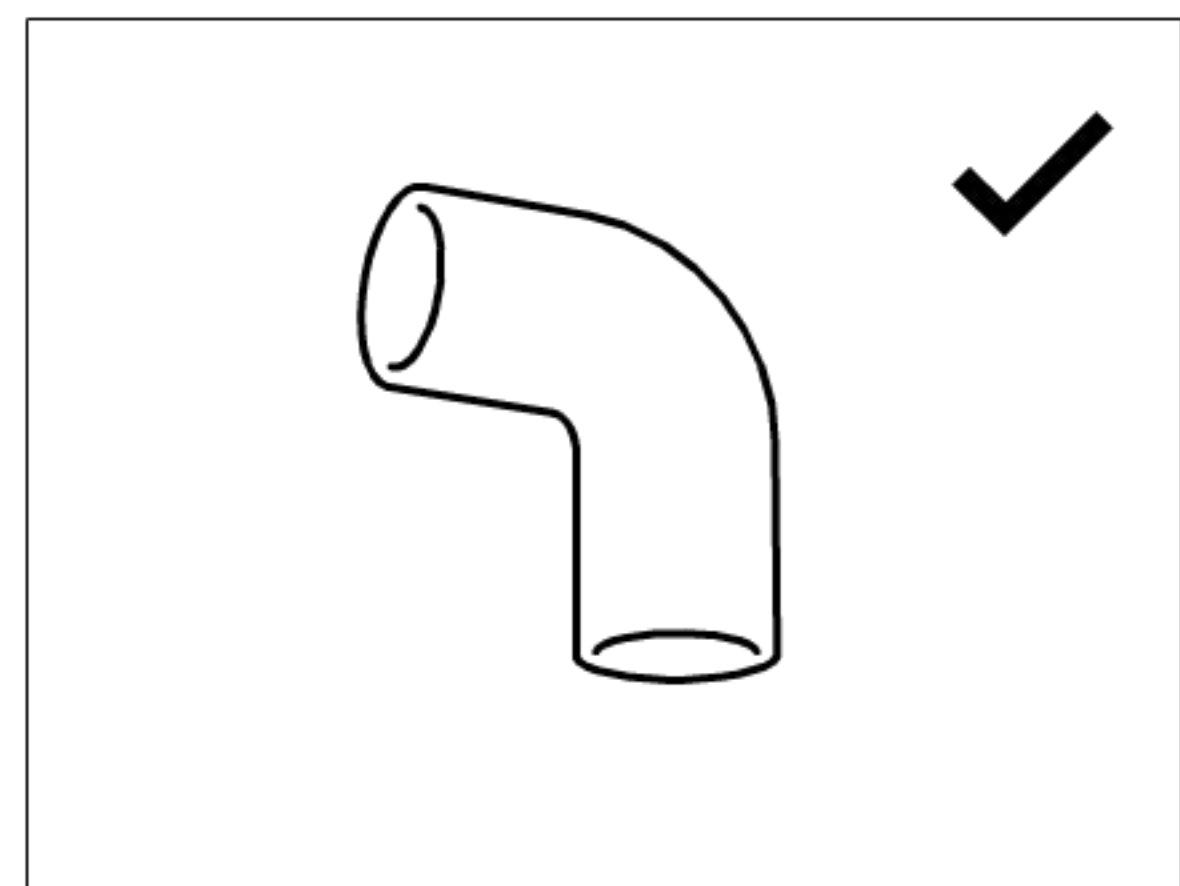
- Use under adult supervision.
- Not suitable for children under 3 years of age.
- Care should be taken when using tools and modeling knives, as these can cause personal injury.
- Keep out of reach of small children when assembling. Children must not be allowed to touch tools or put any parts or packaging material in their mouths.
- Do not use glue near open flame and make sure to ventilate room to prevent poisoning/intoxication.
- Never play the blaster on streets, near small children or in a crowded area.

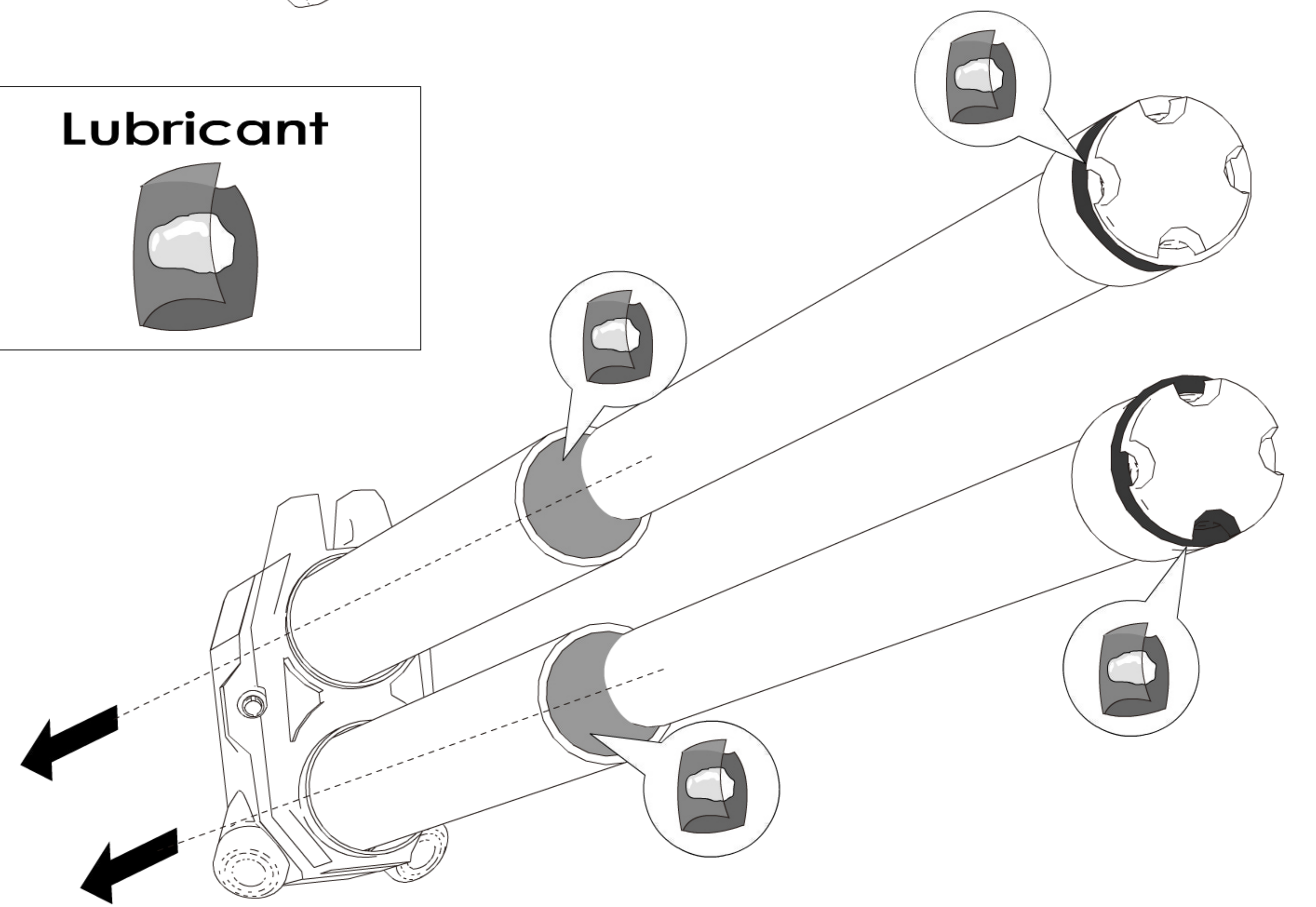
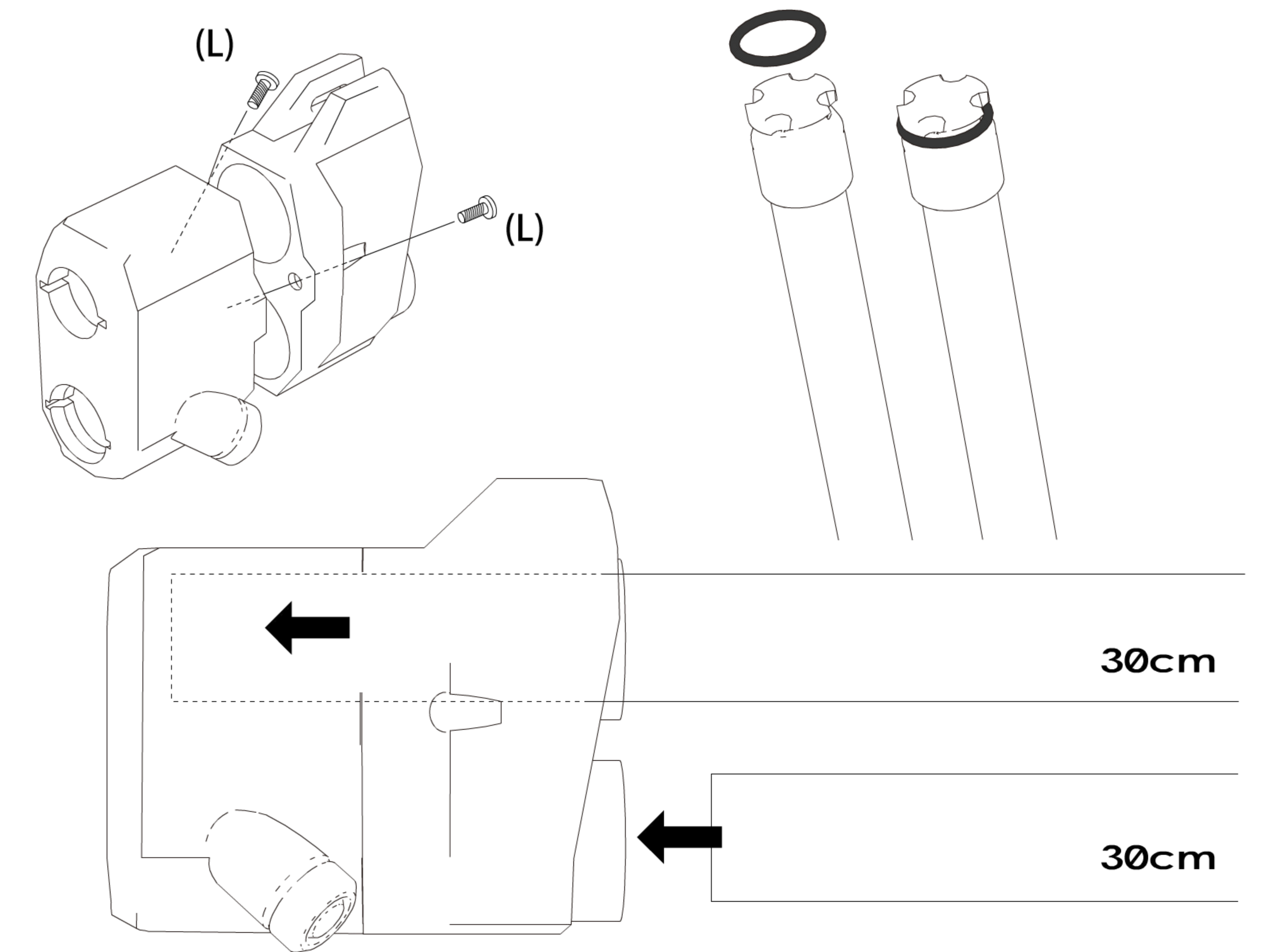
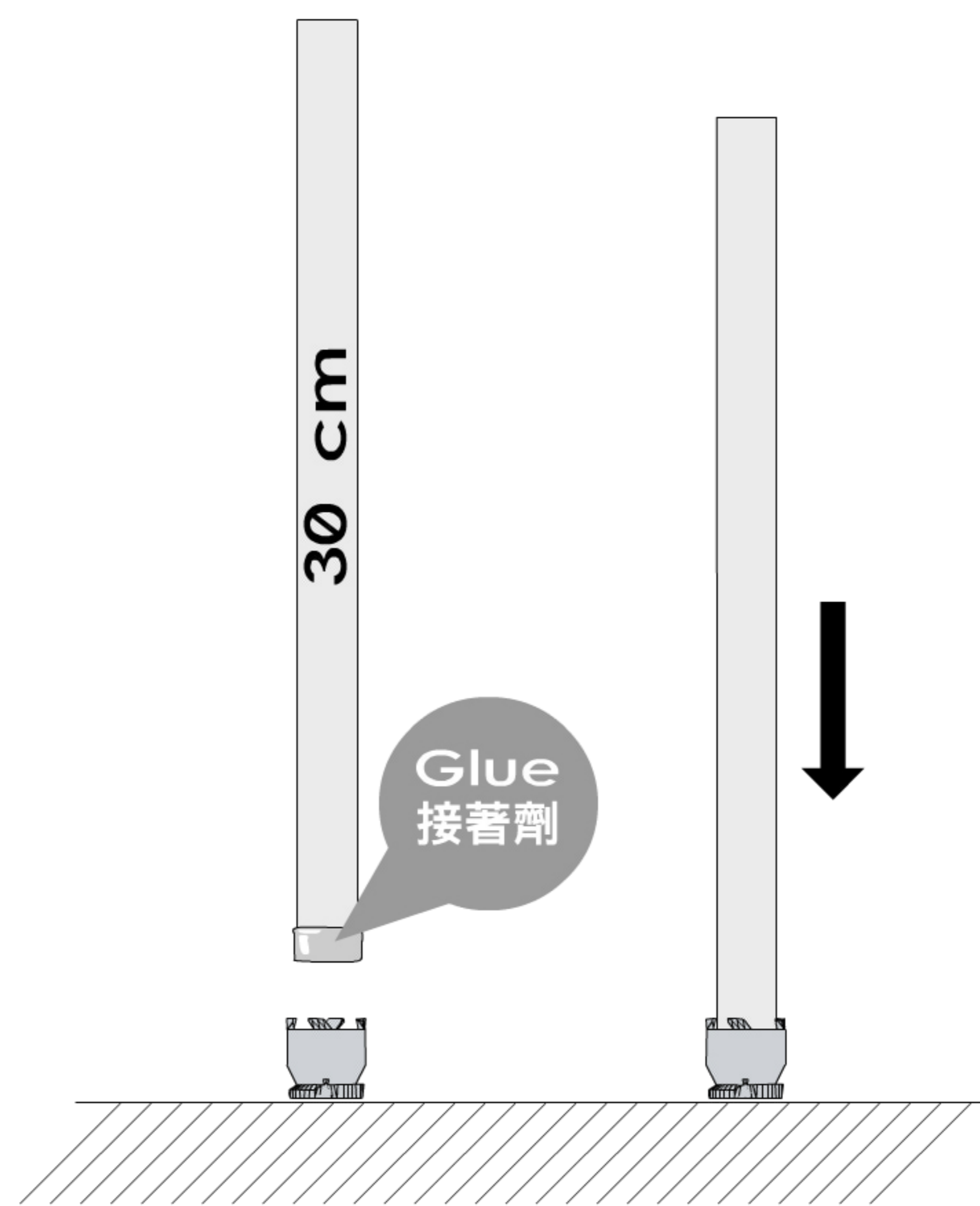
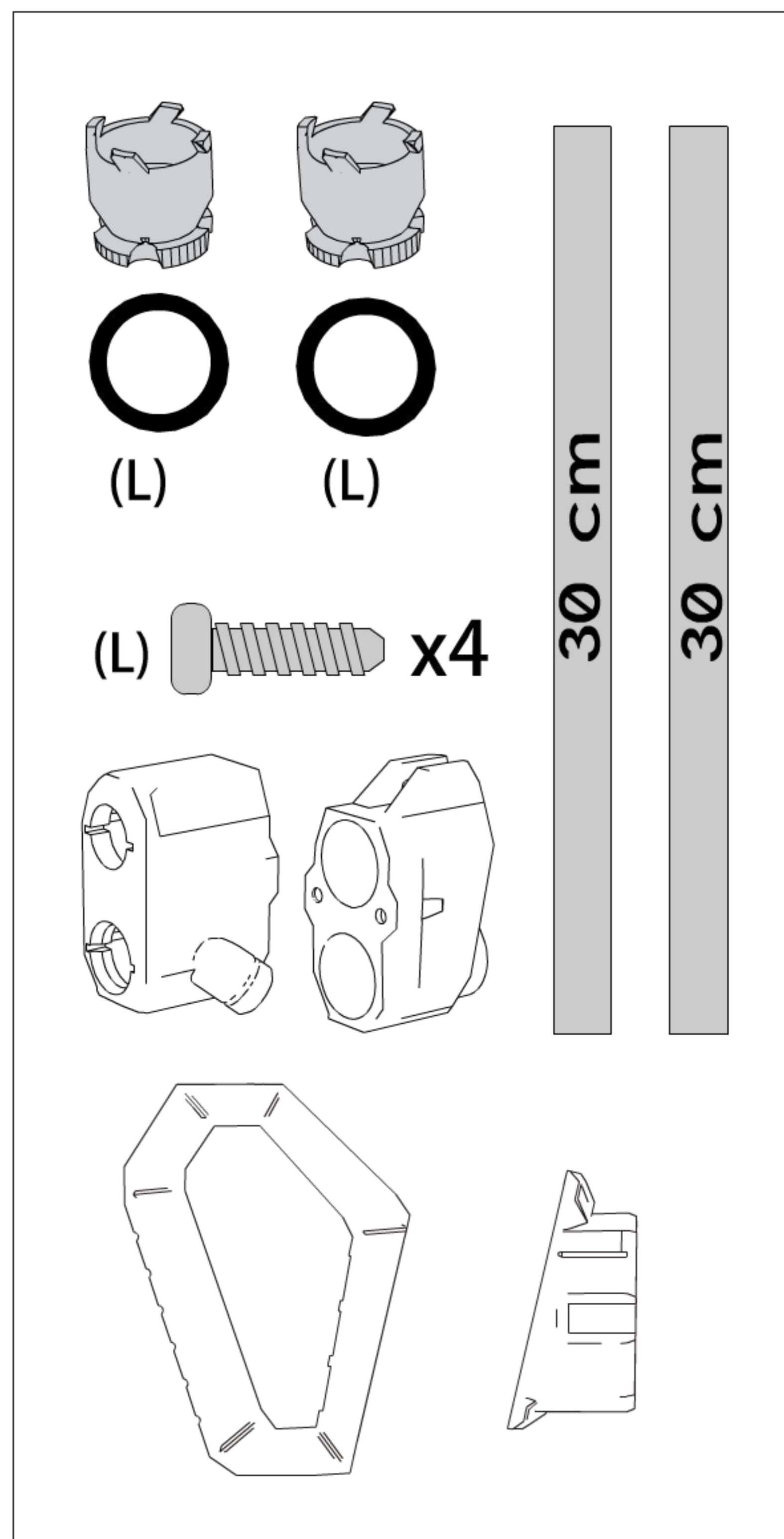
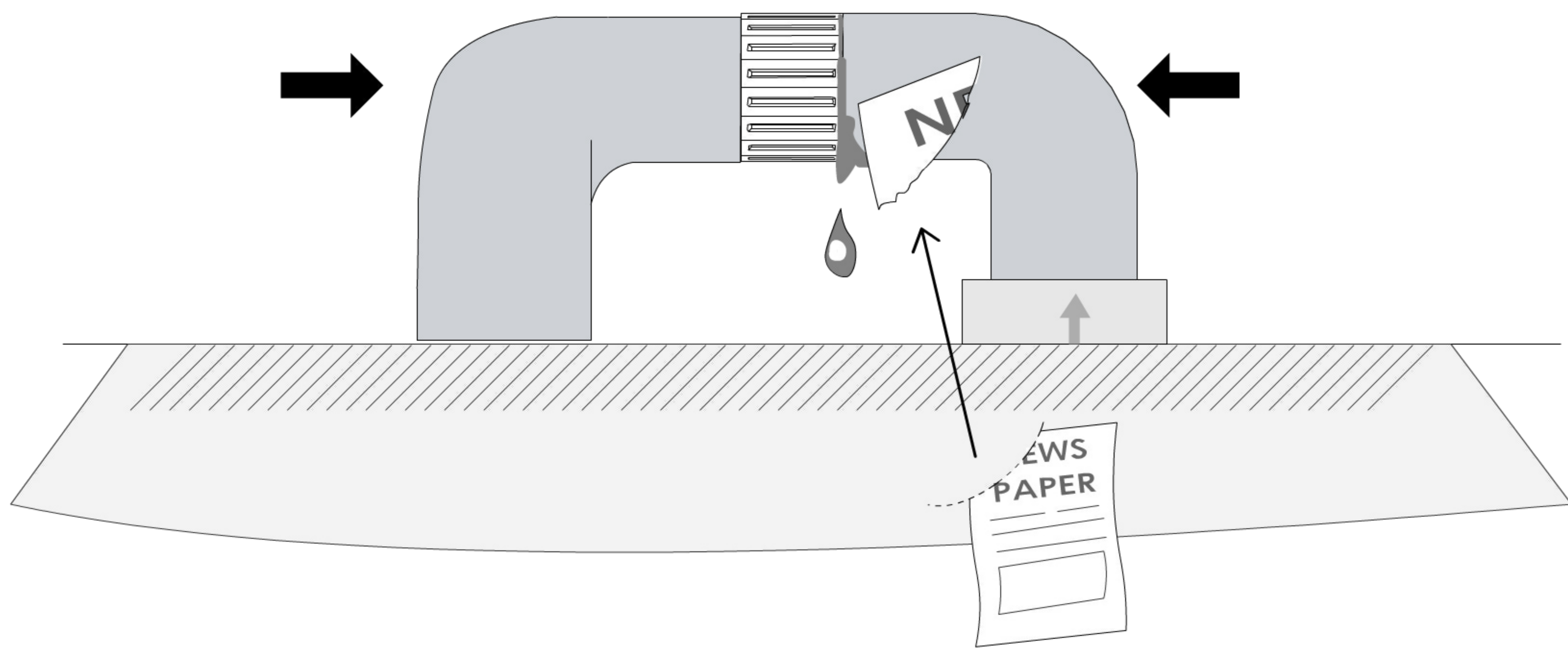
**CAUTION!**

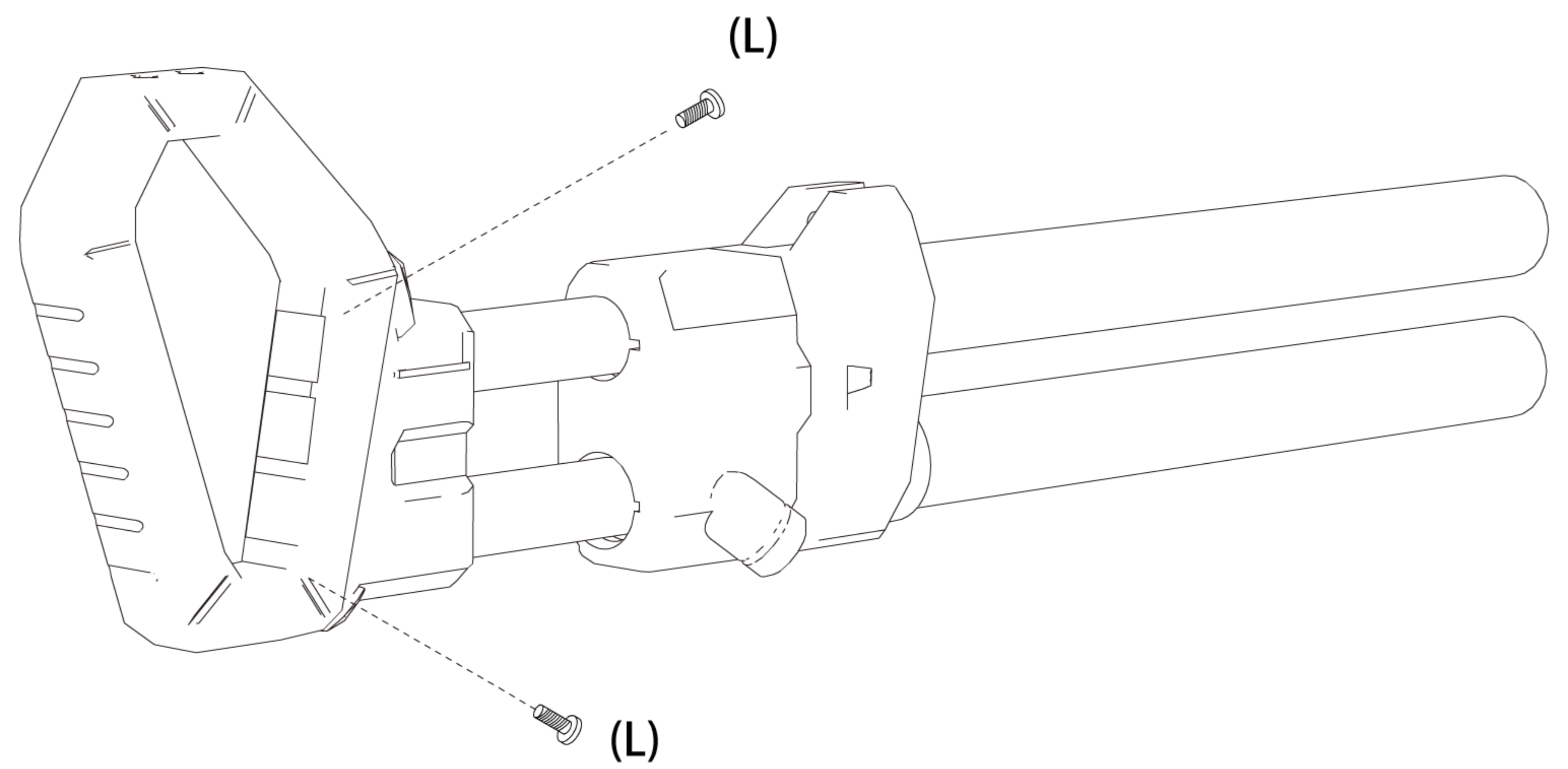
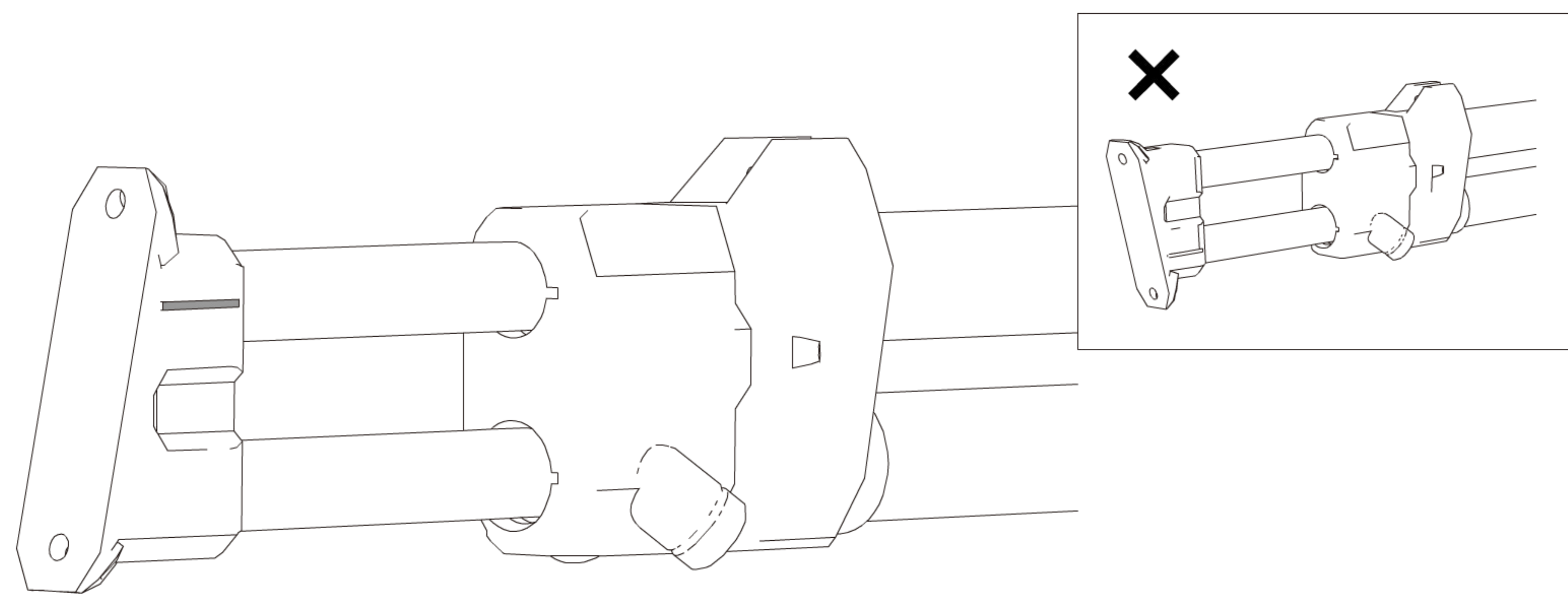
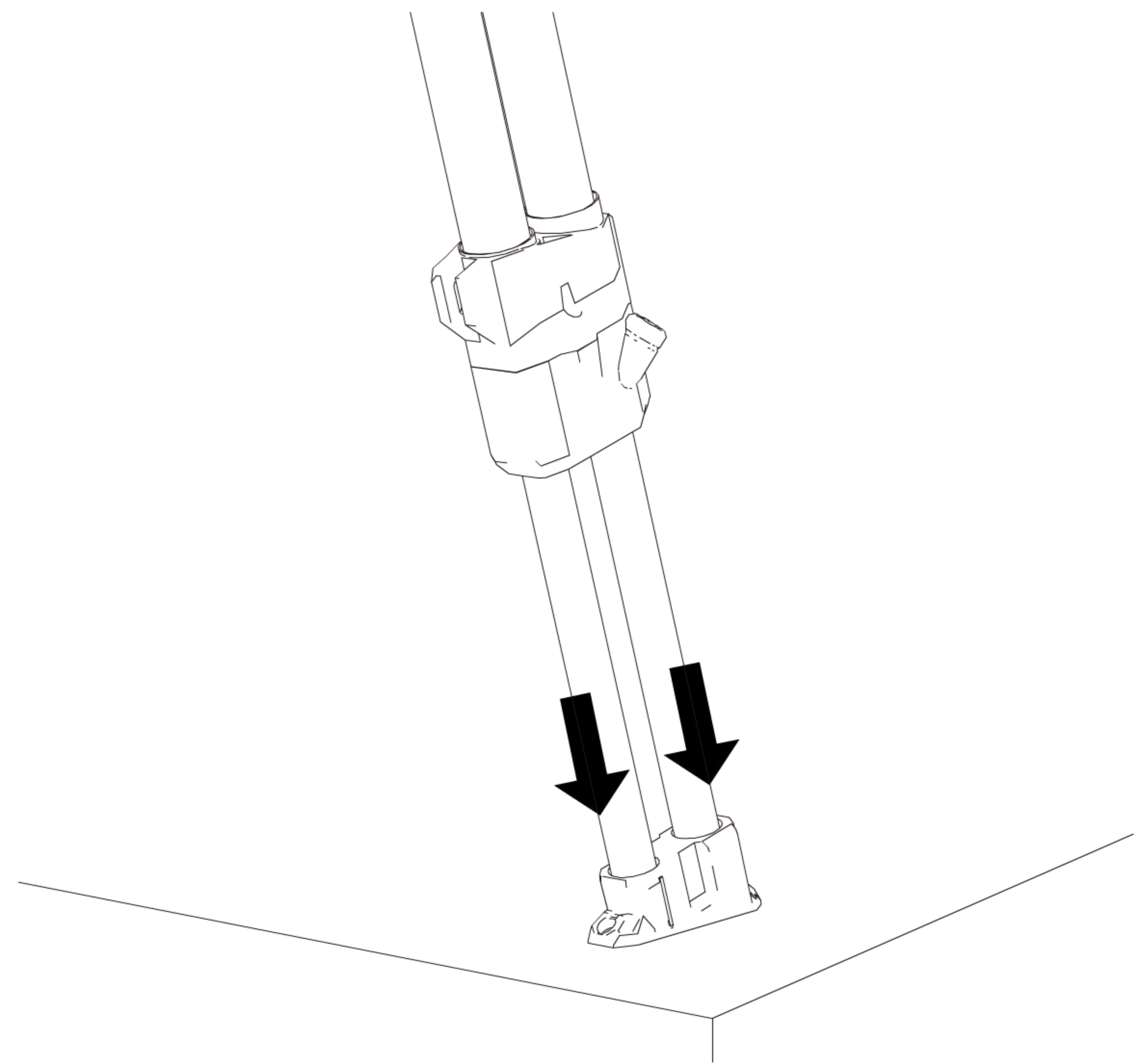
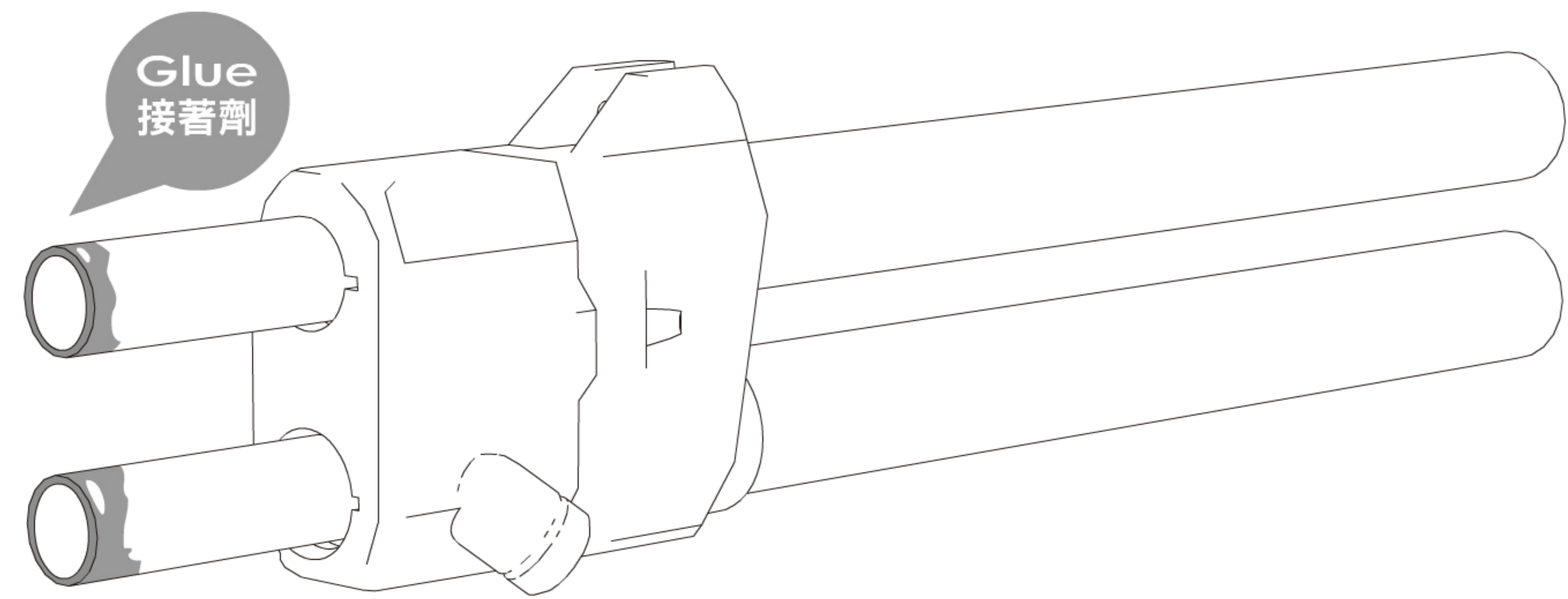
- Wear goggles at all times.
- Parts using sandpaper make shure not to leave sharp points or edges
- Lubricants, glue, must not be inhaled or ingested. if accidental exposure occurs , immediately flush with water and seek medical attention.
- Do not use the model if any parts are damaged or deformed.
- Care should be taken with parts with sharp points and edge.

# Preview>>

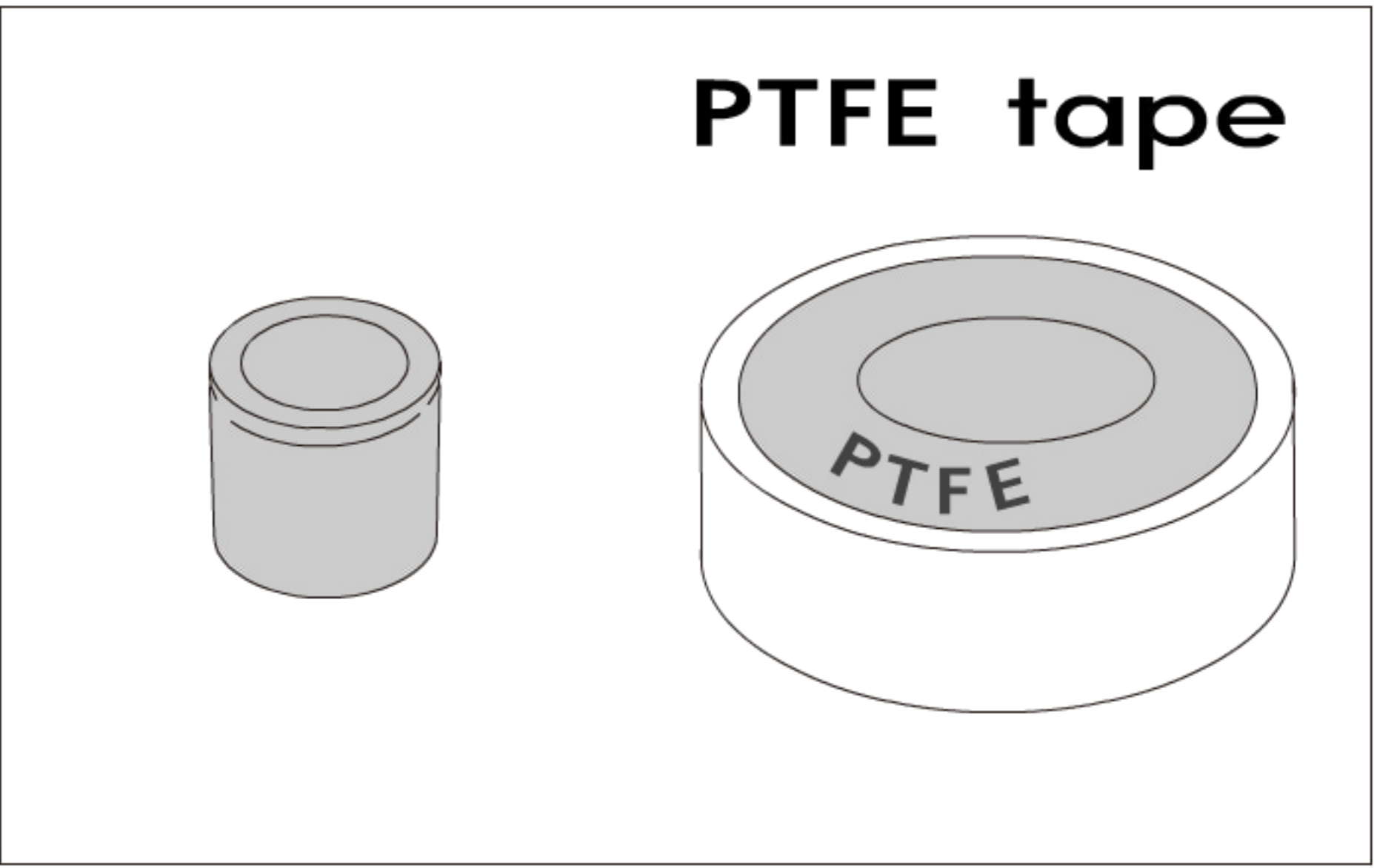
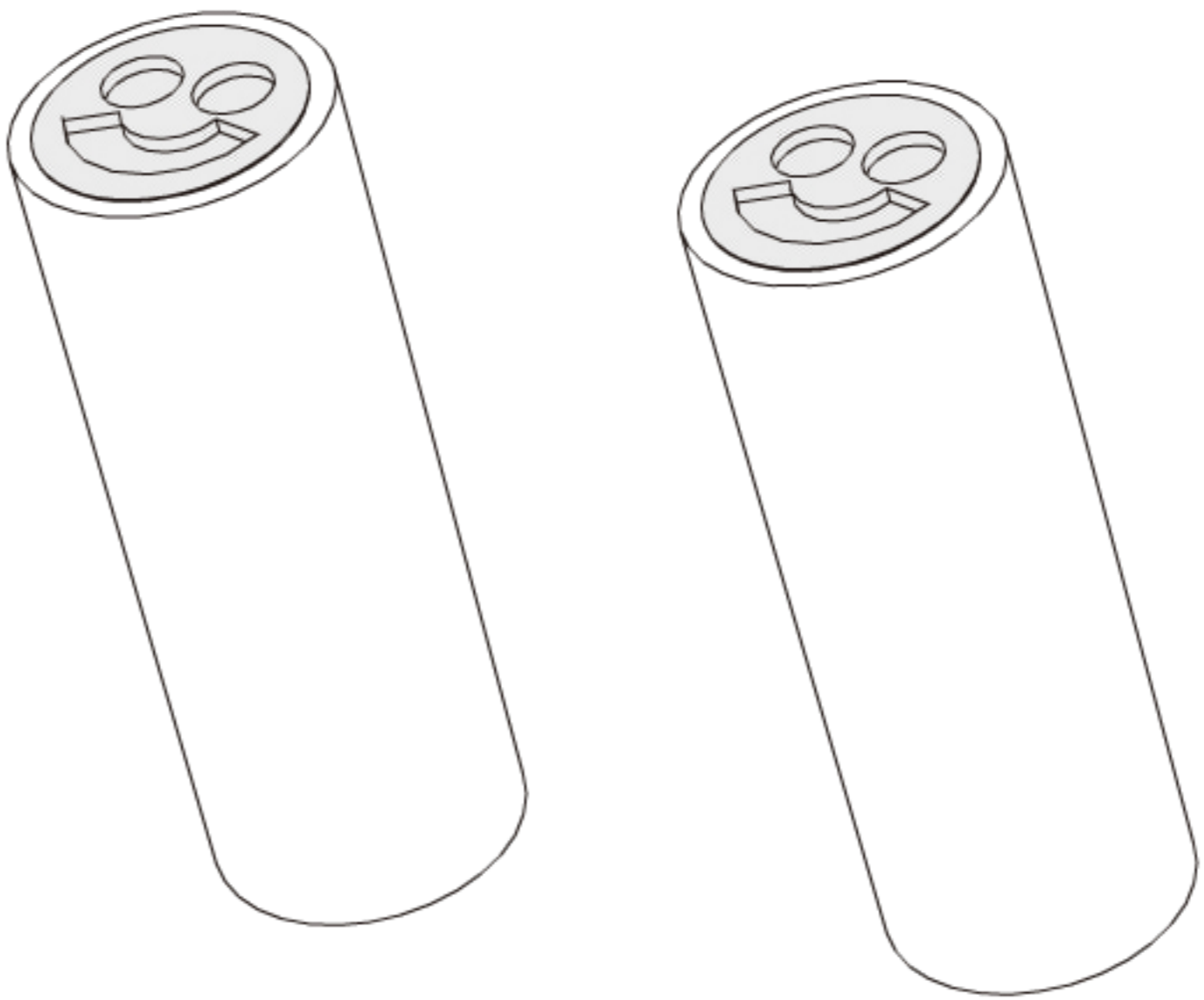
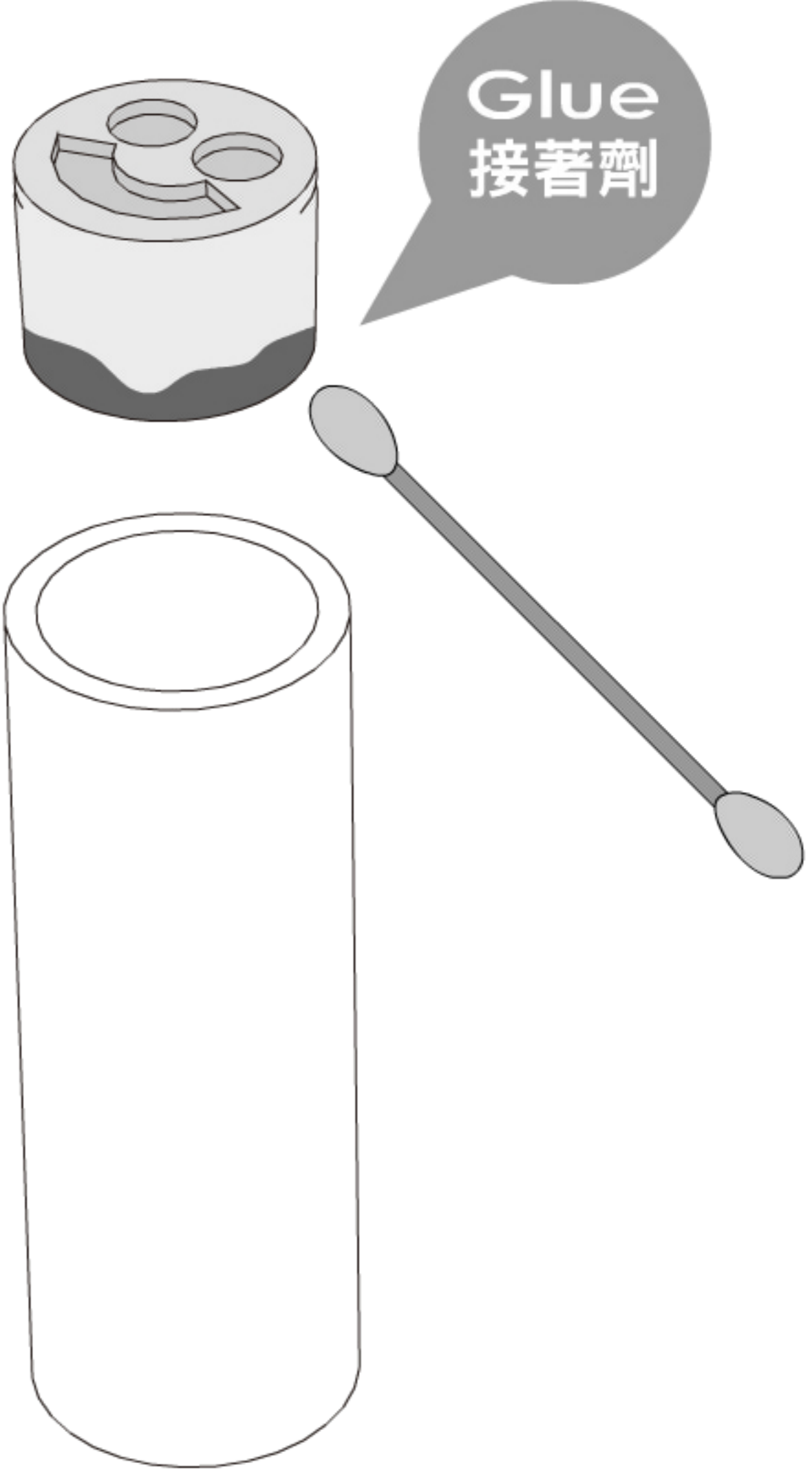
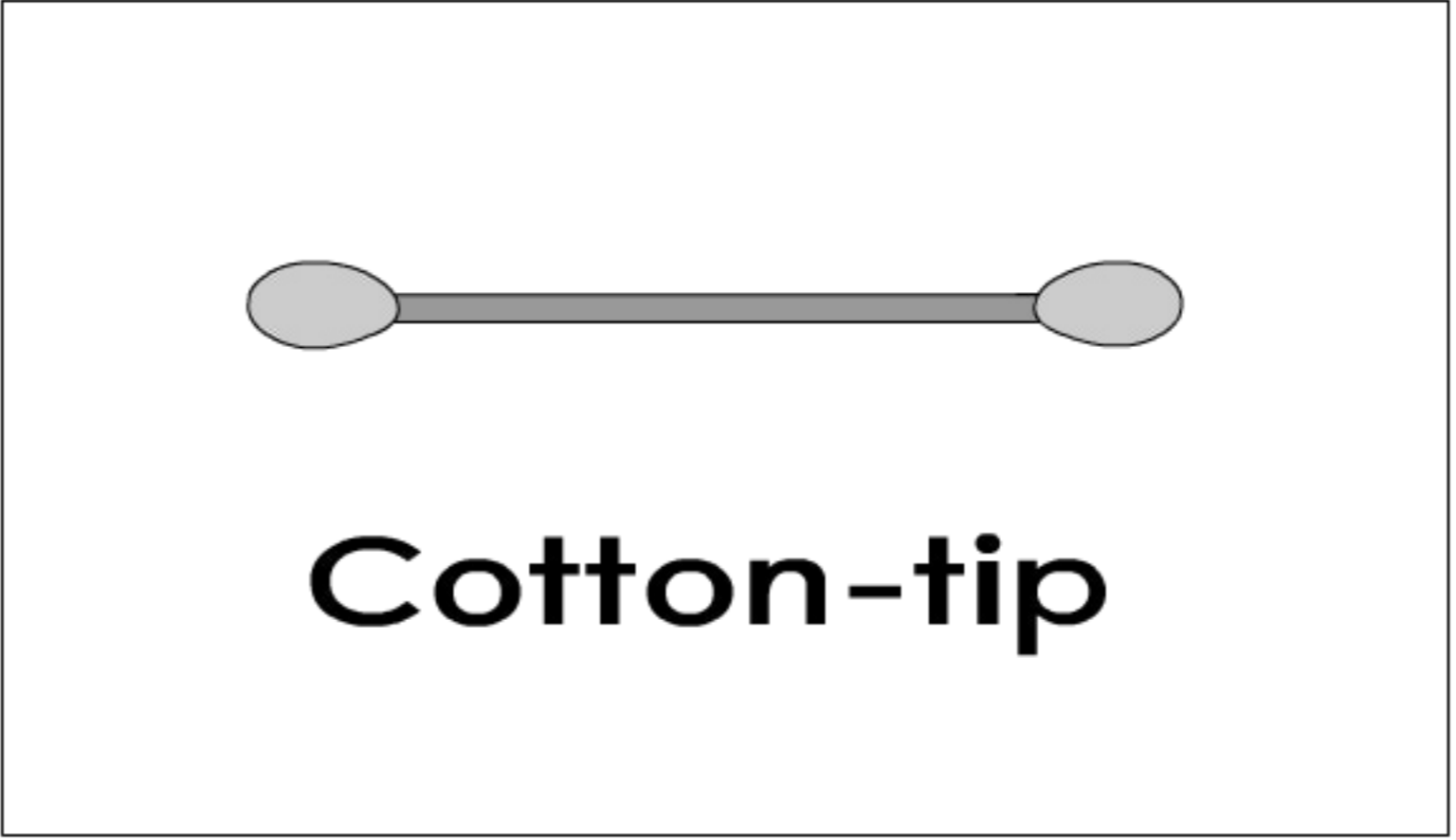
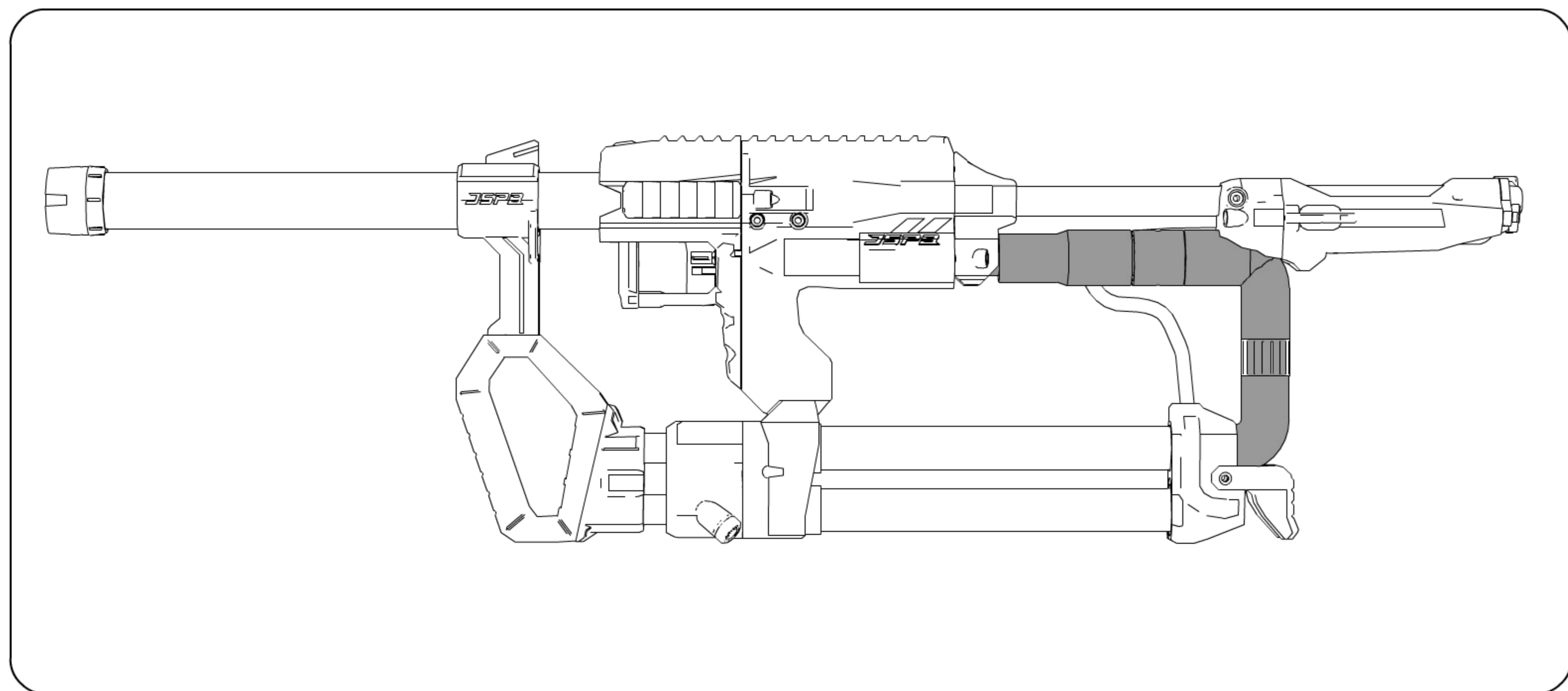




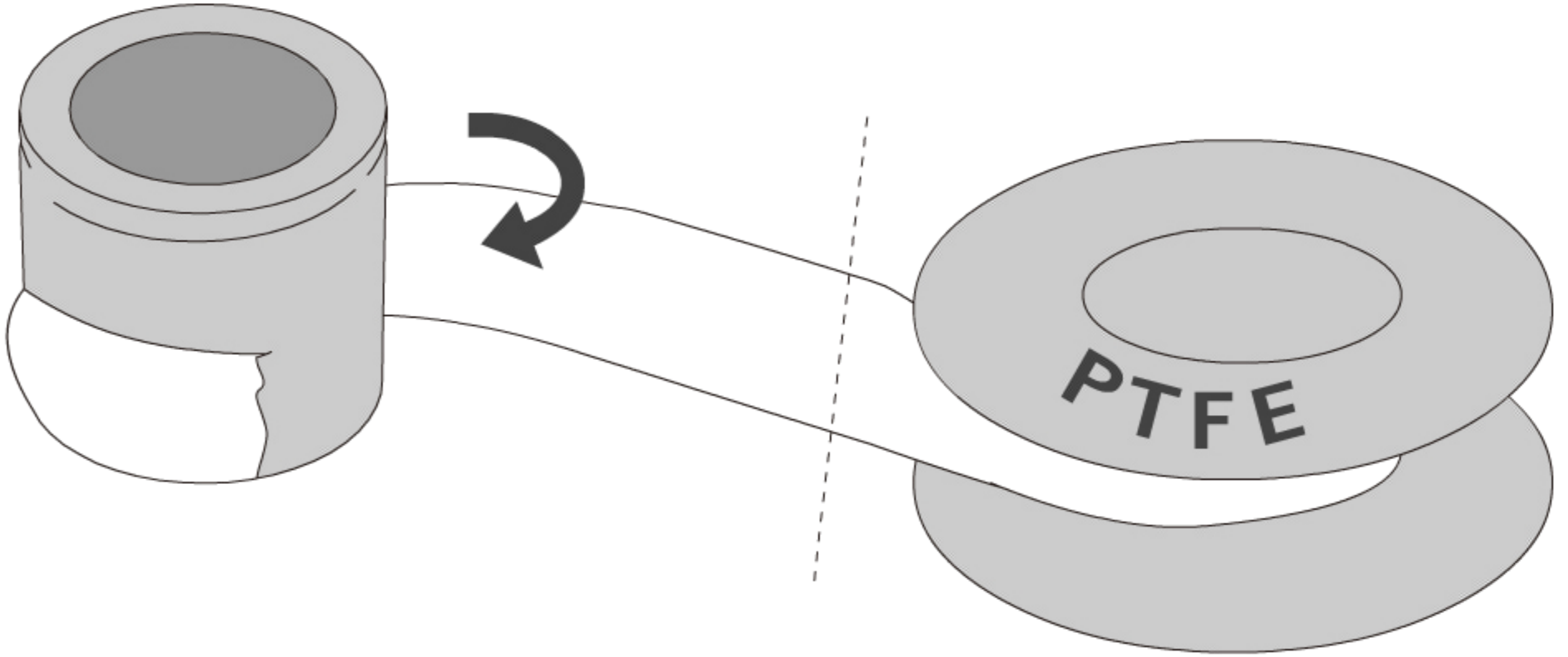




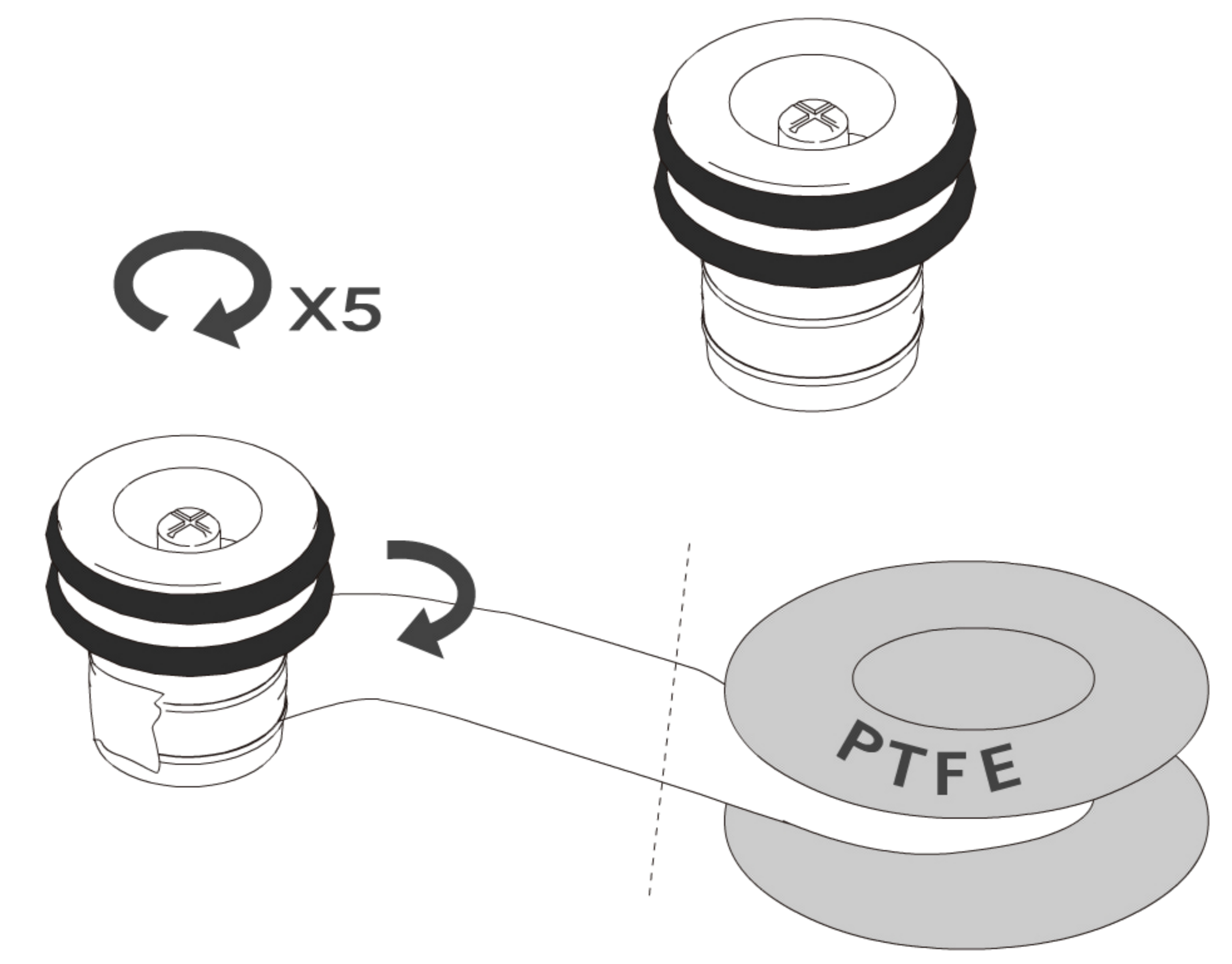
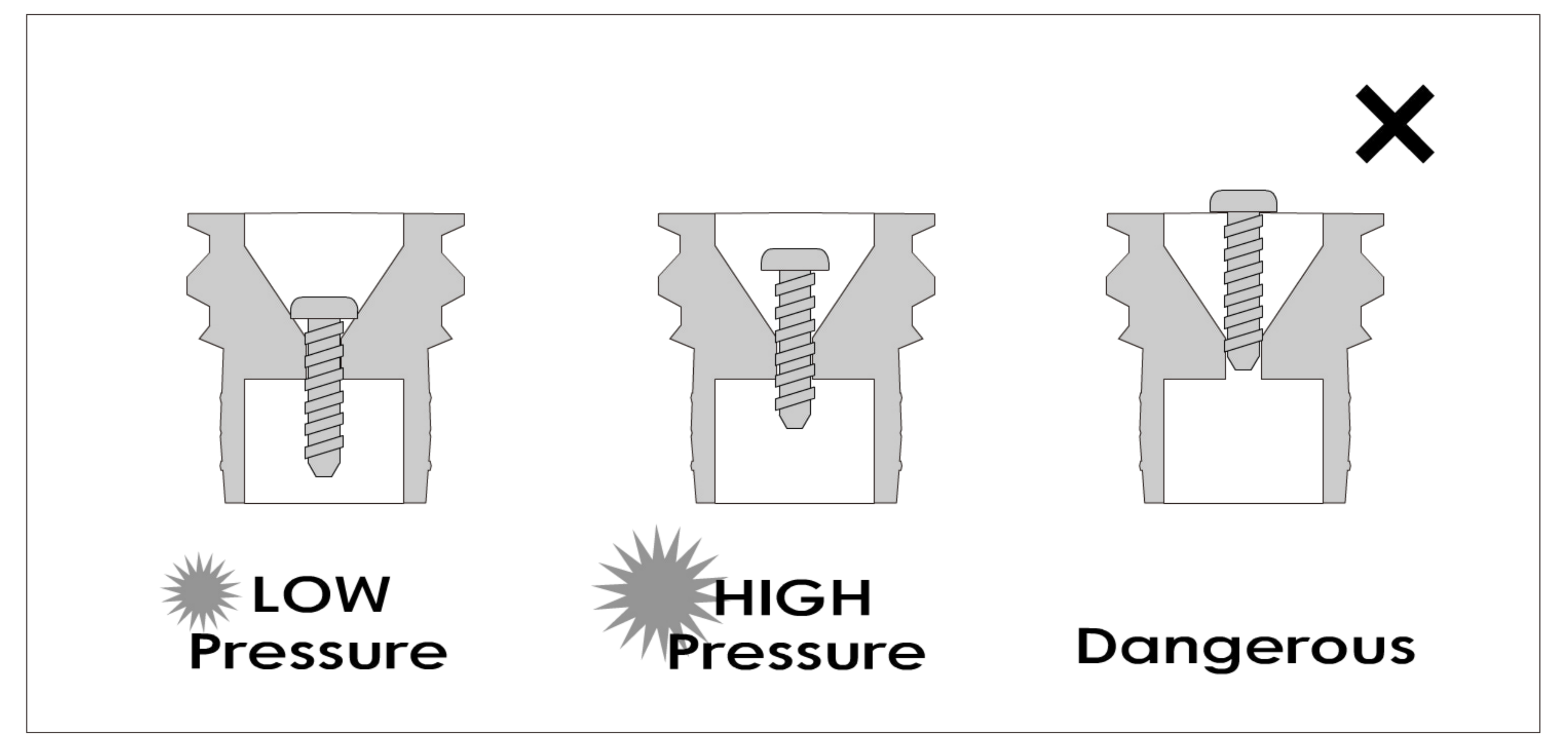
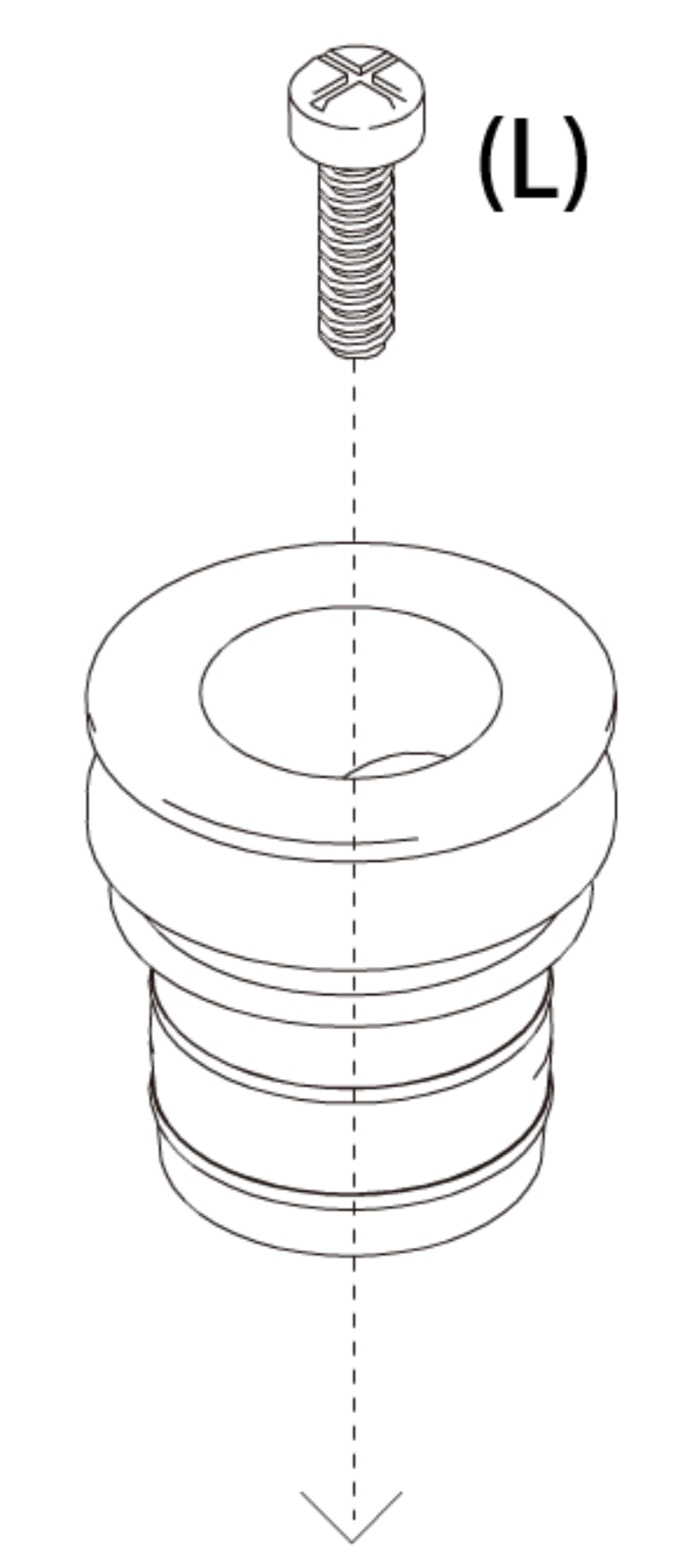
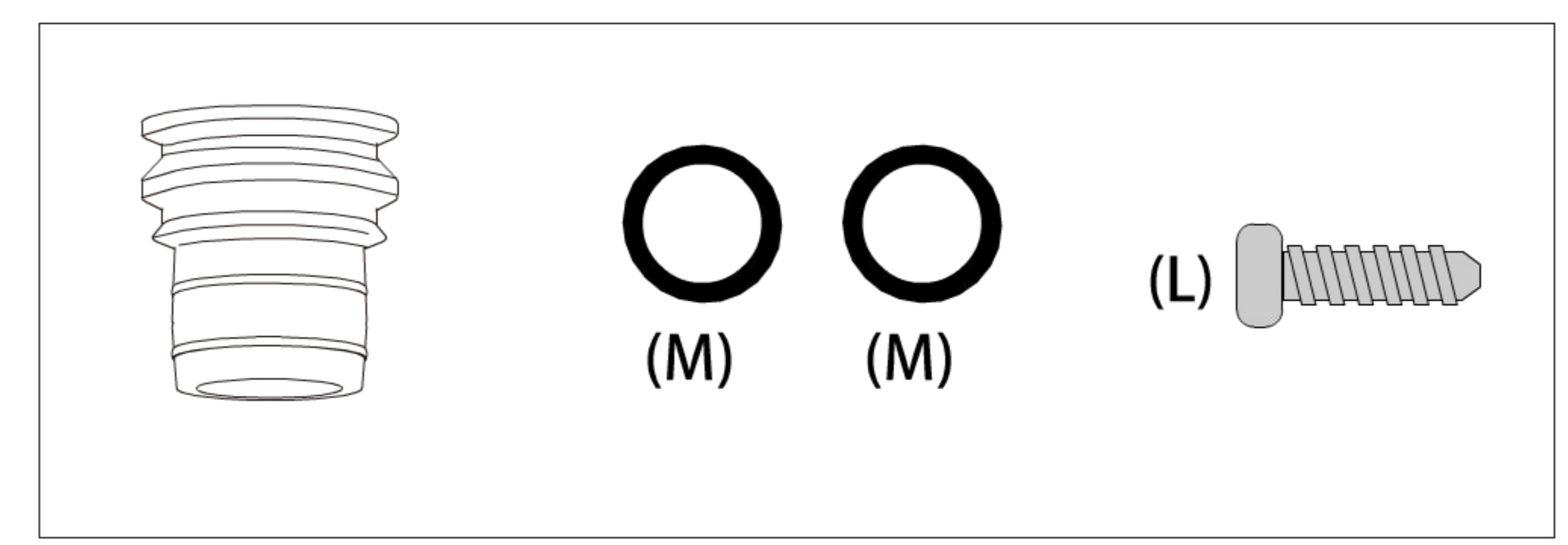
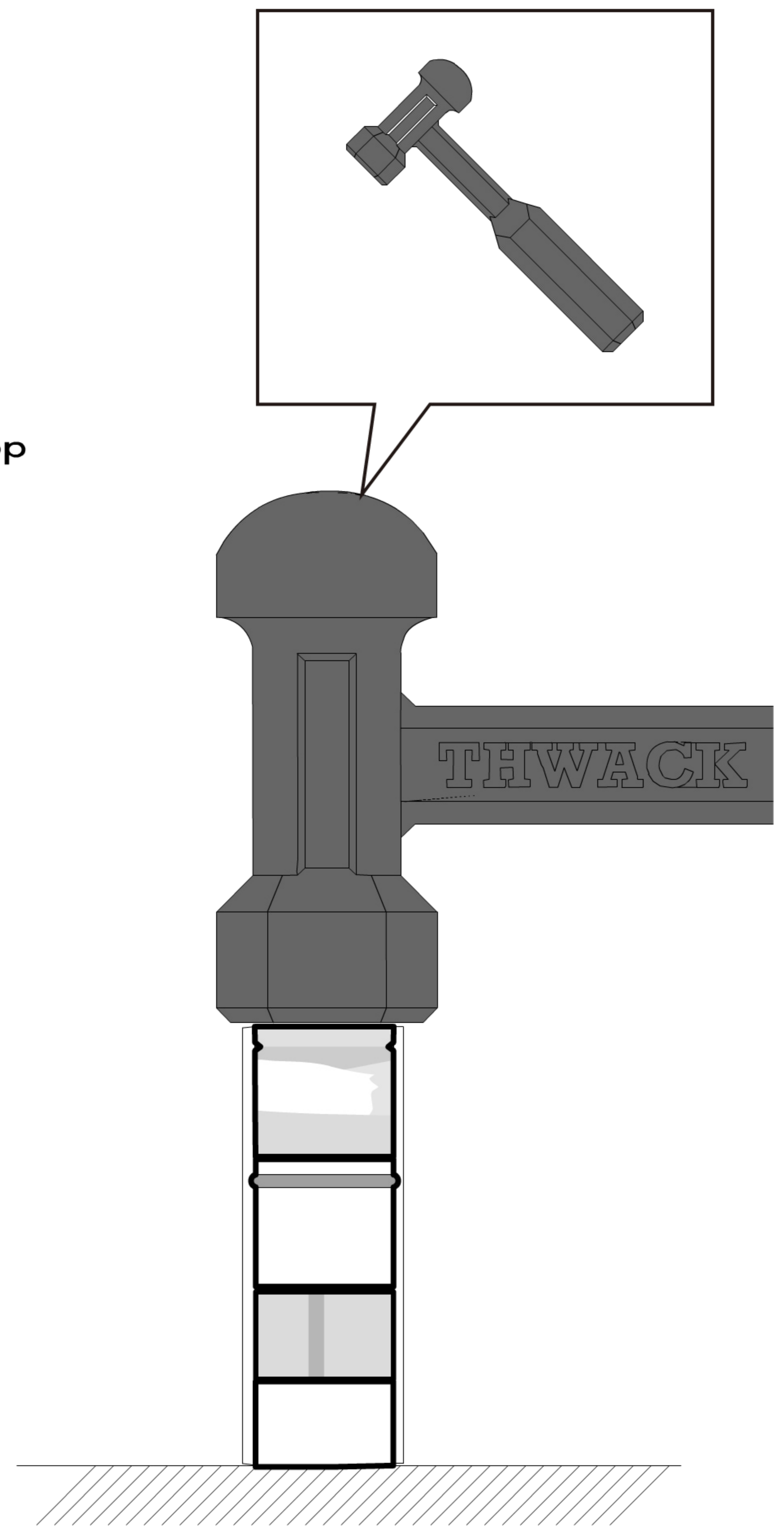
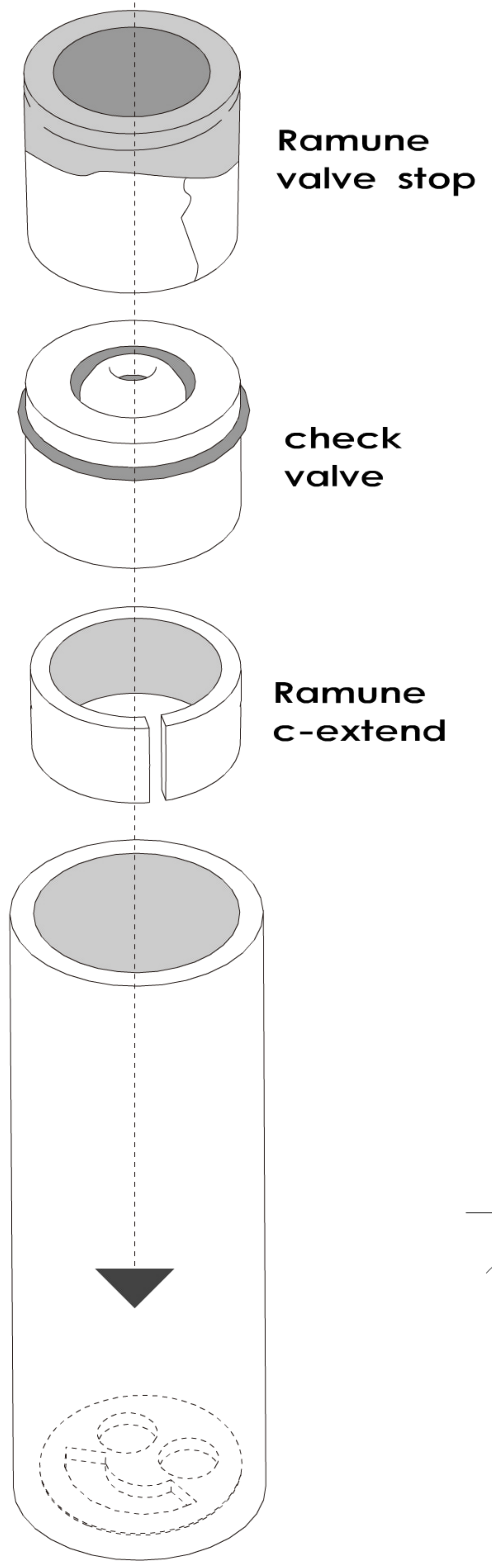
**NEXT>>**



↻ X5

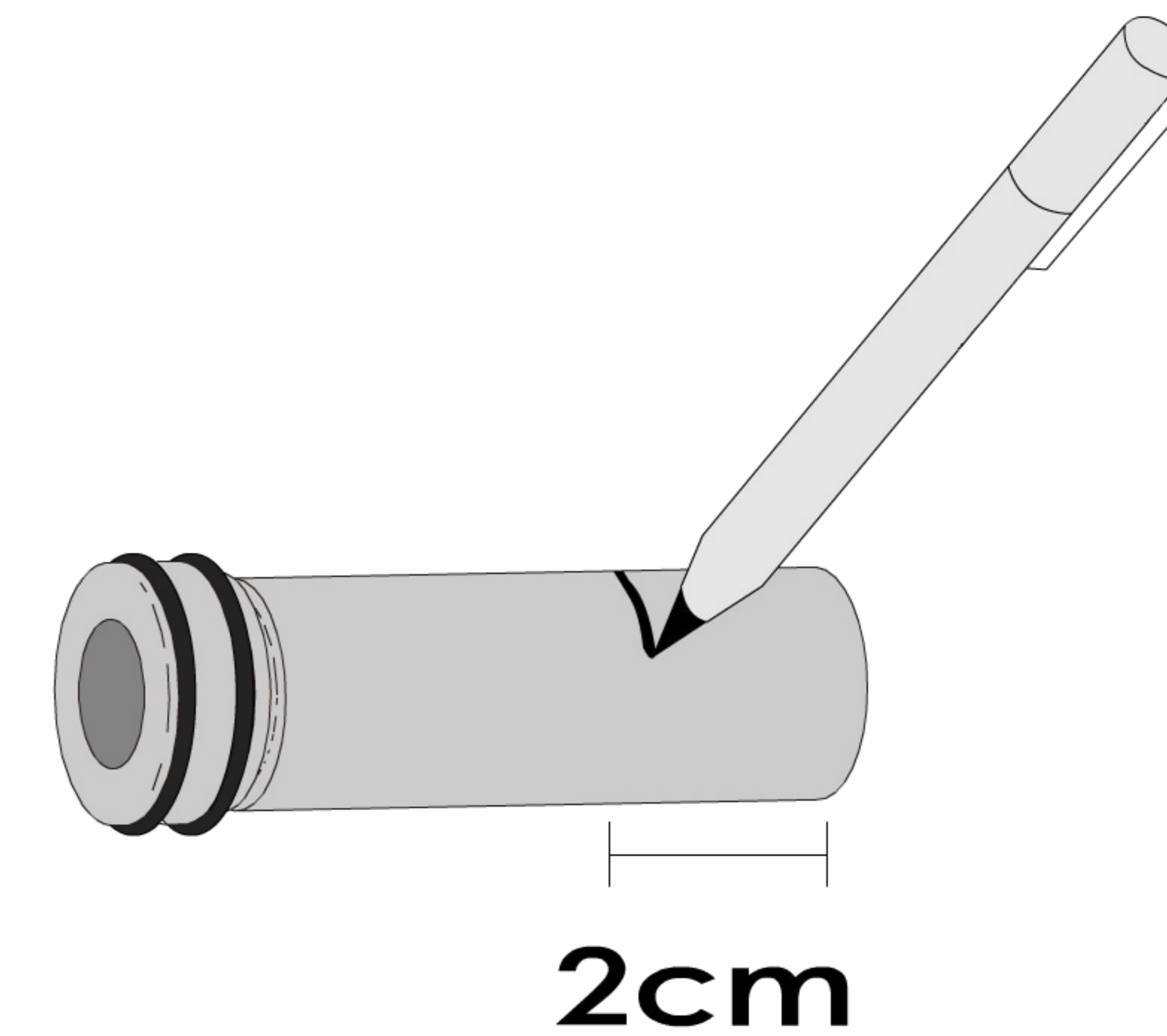
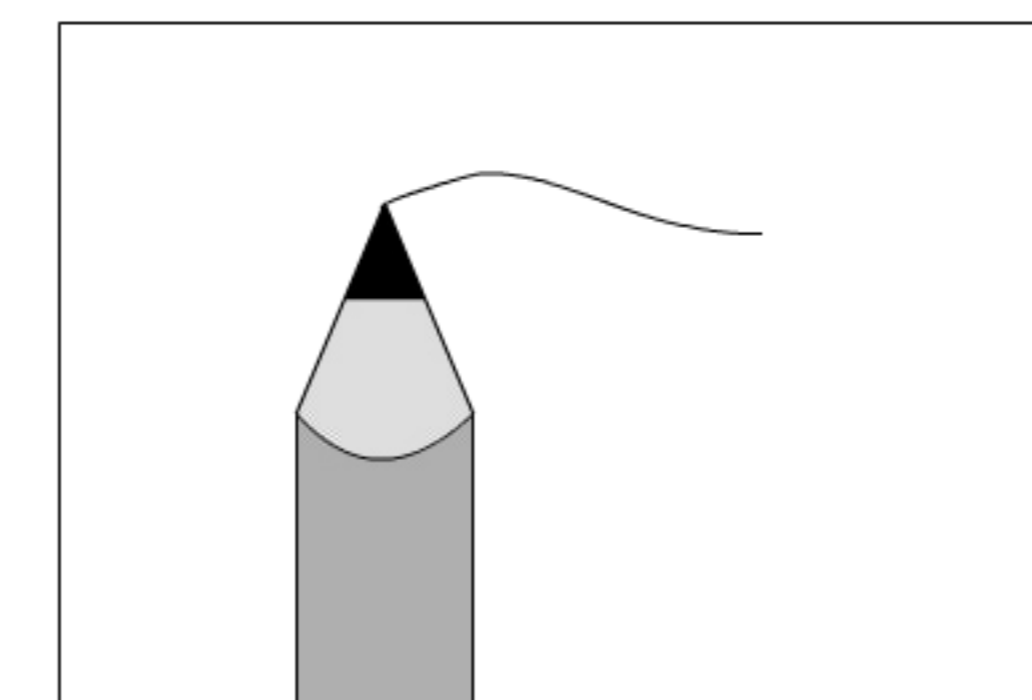
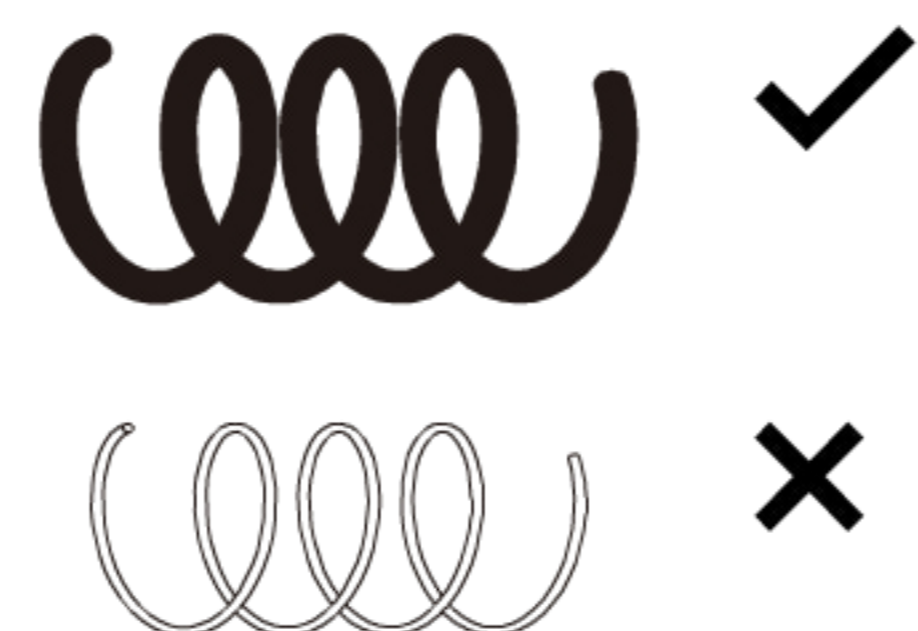


**TRIGGER VALVE**

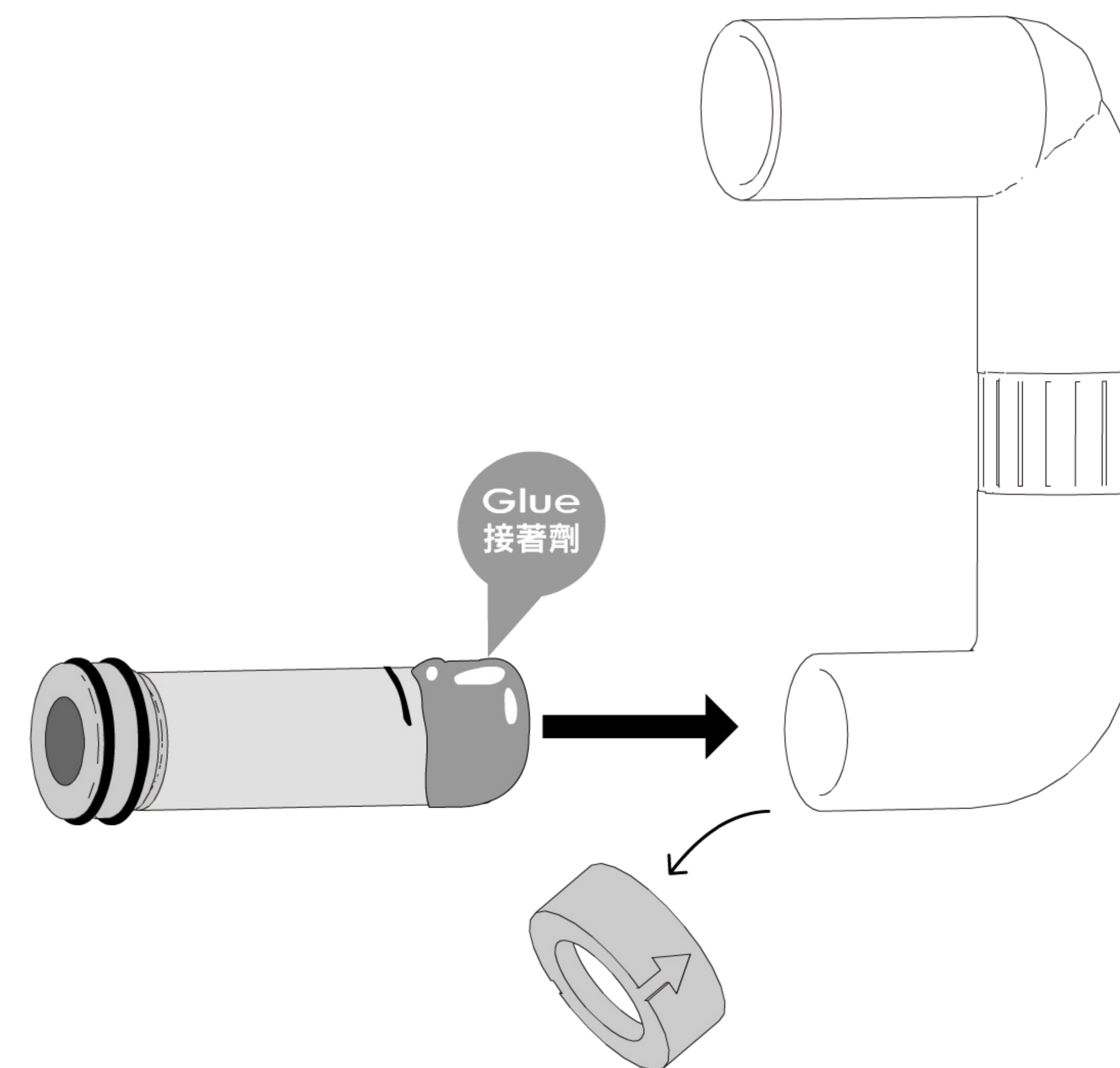
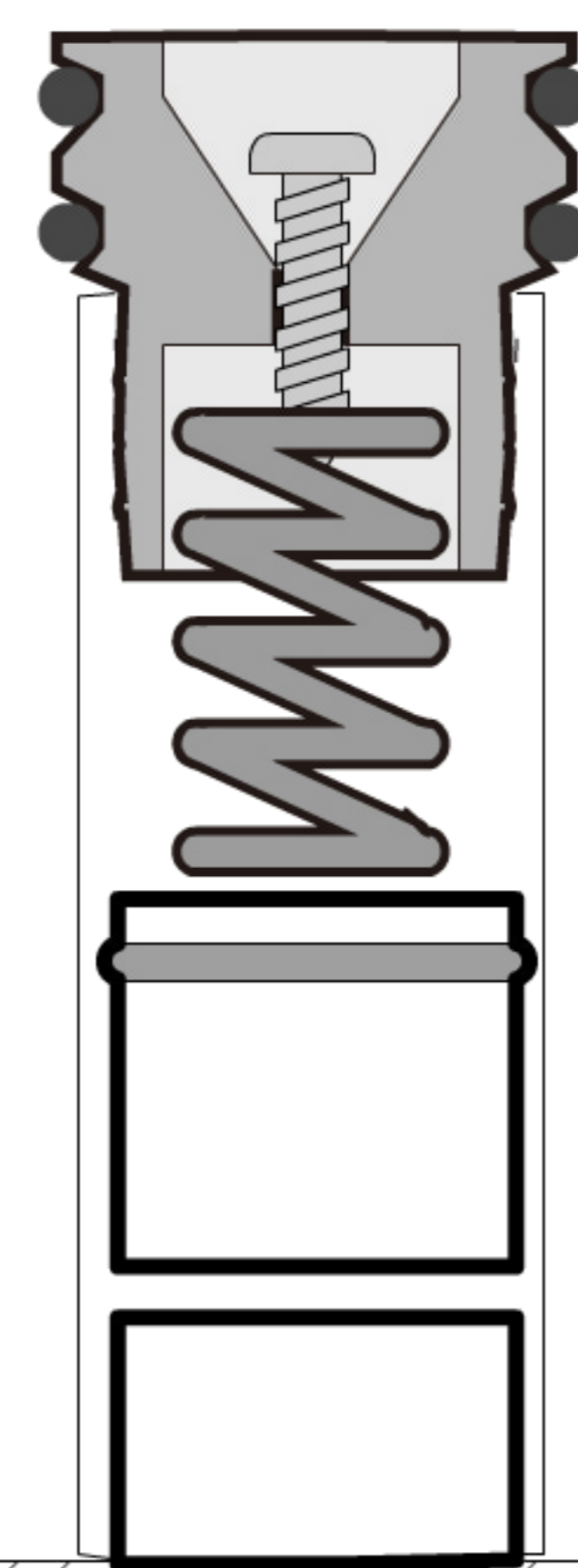
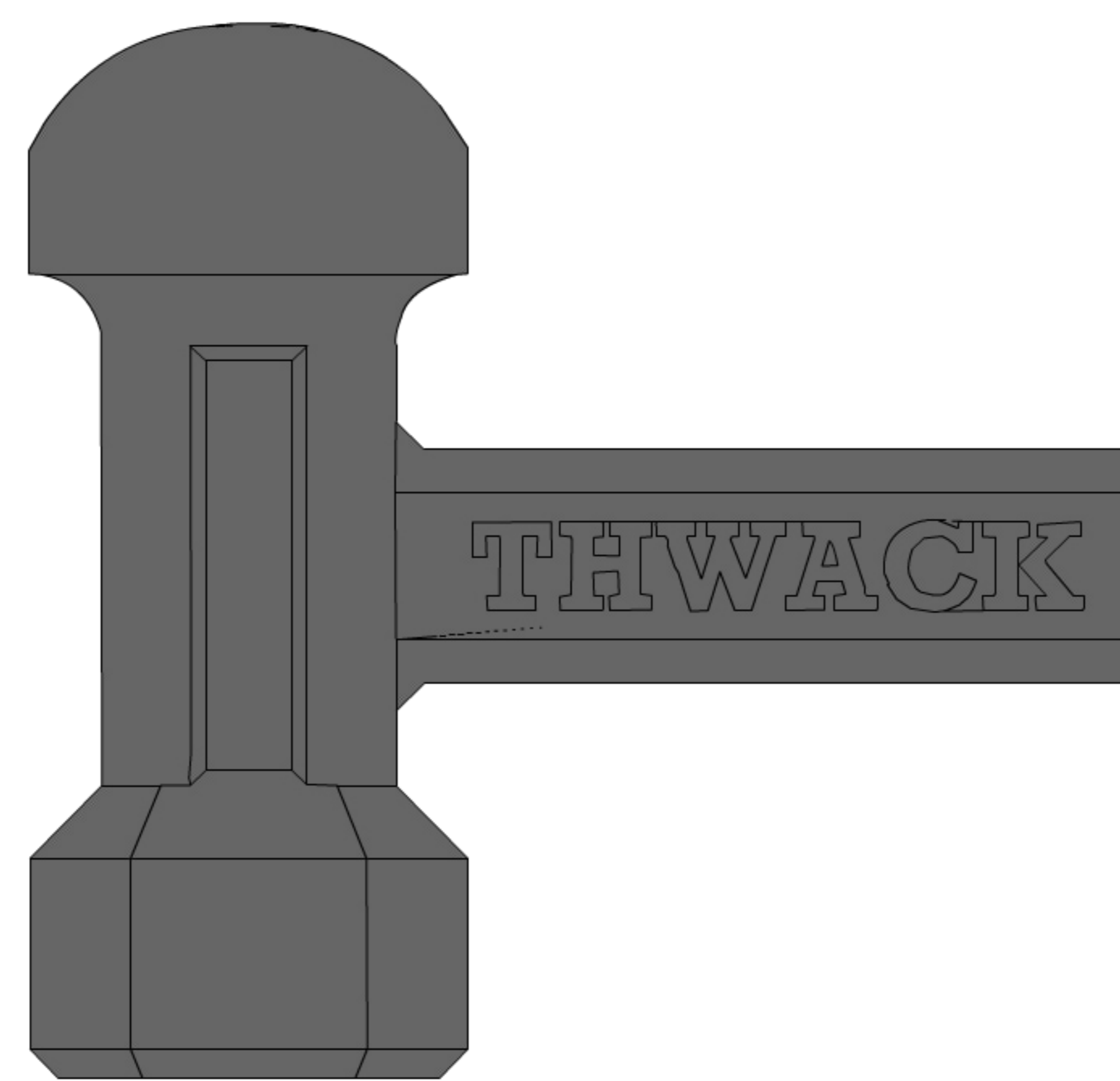
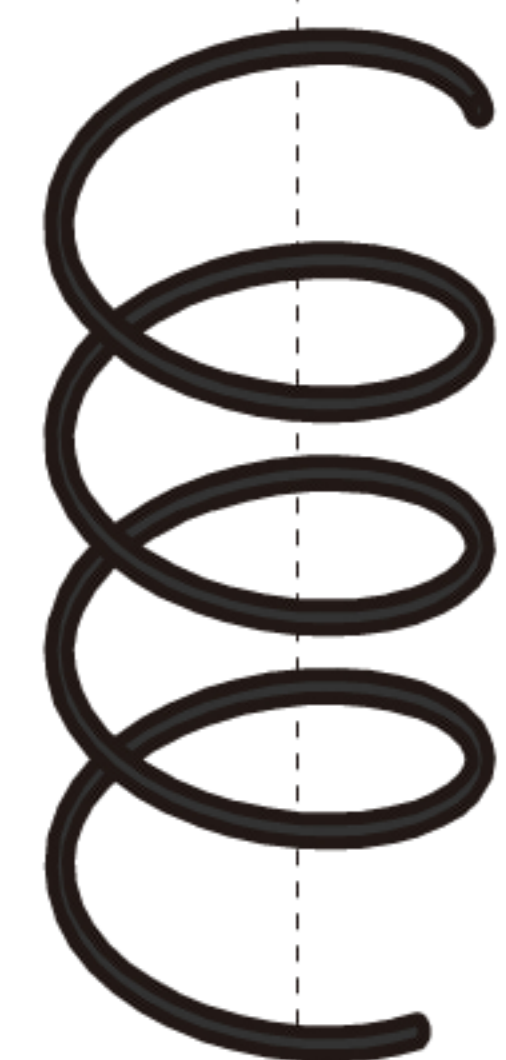
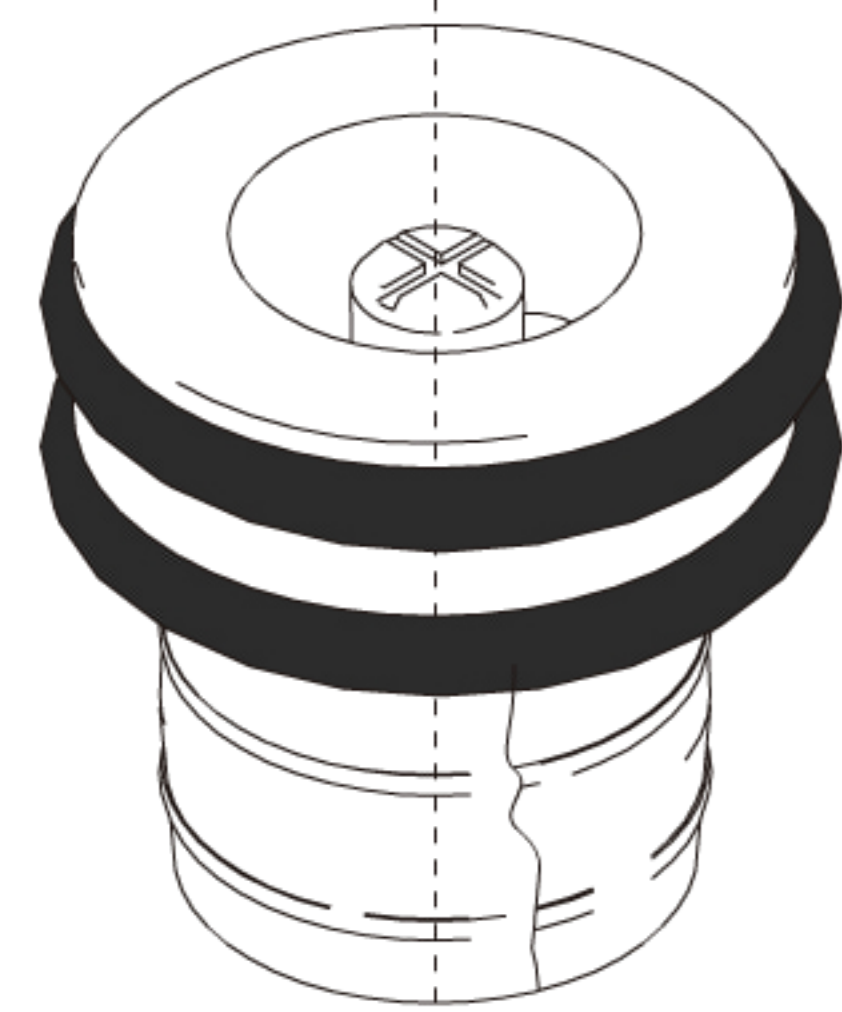


OVER  
PRESSURE  
VALVE

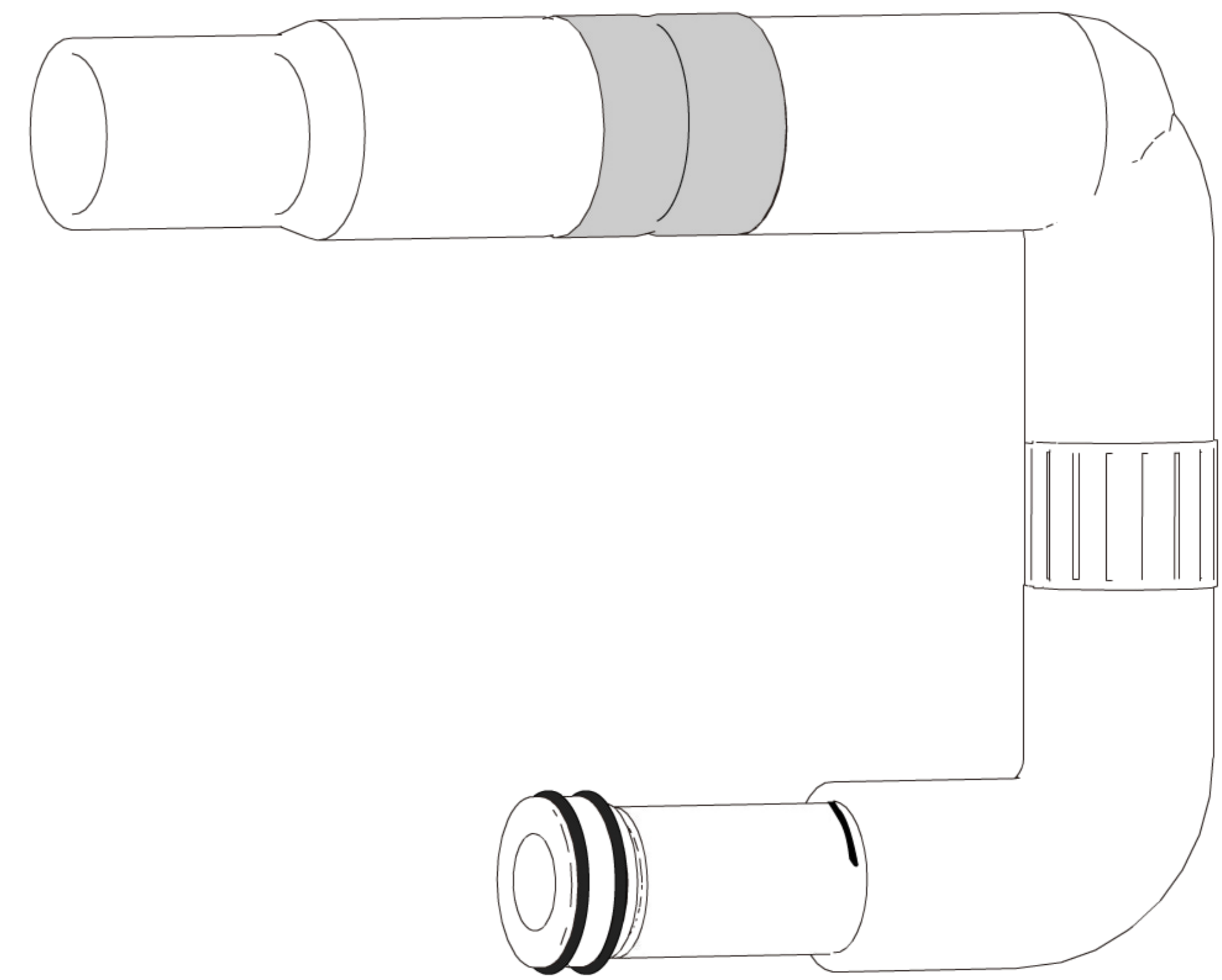
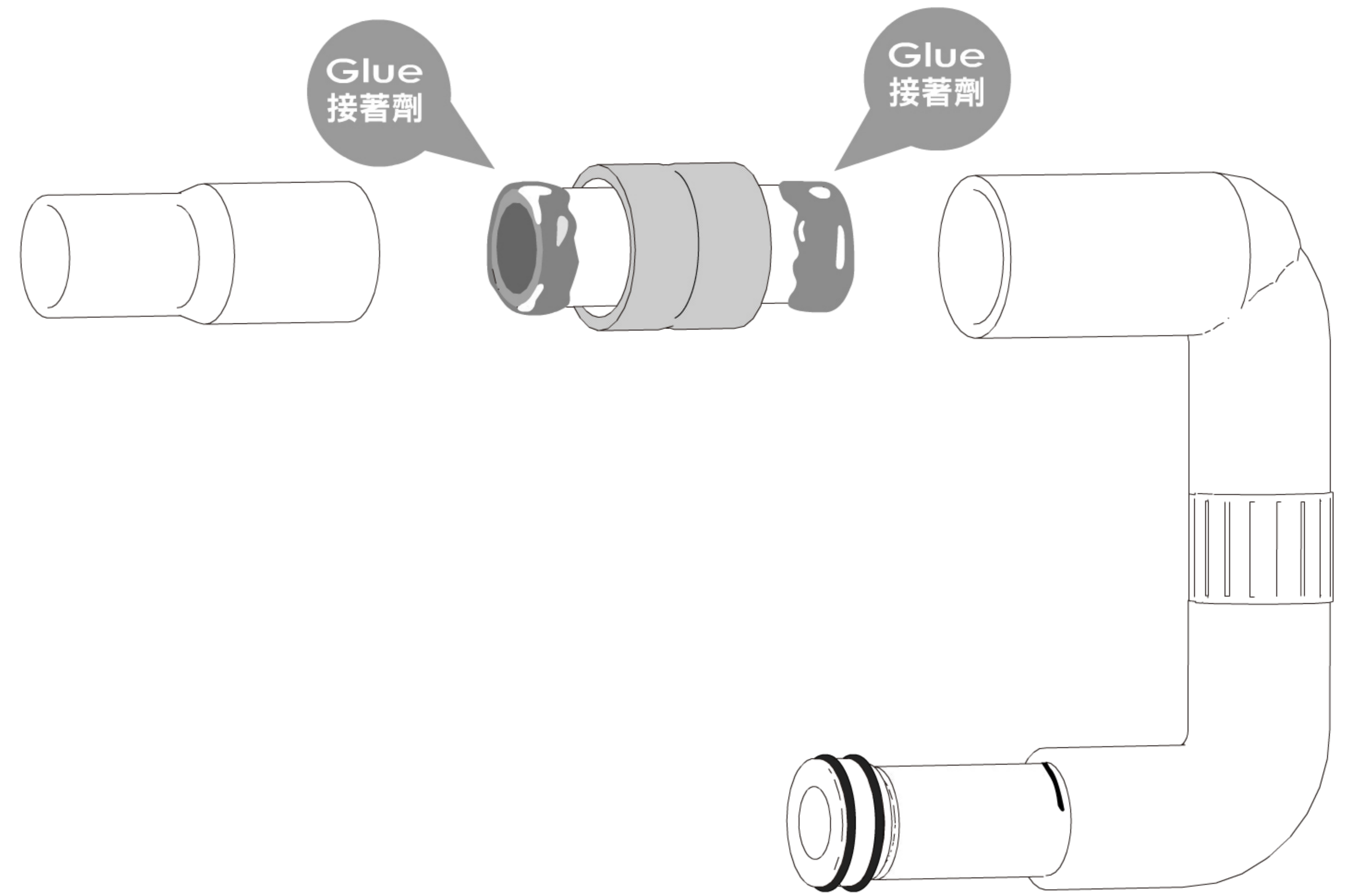
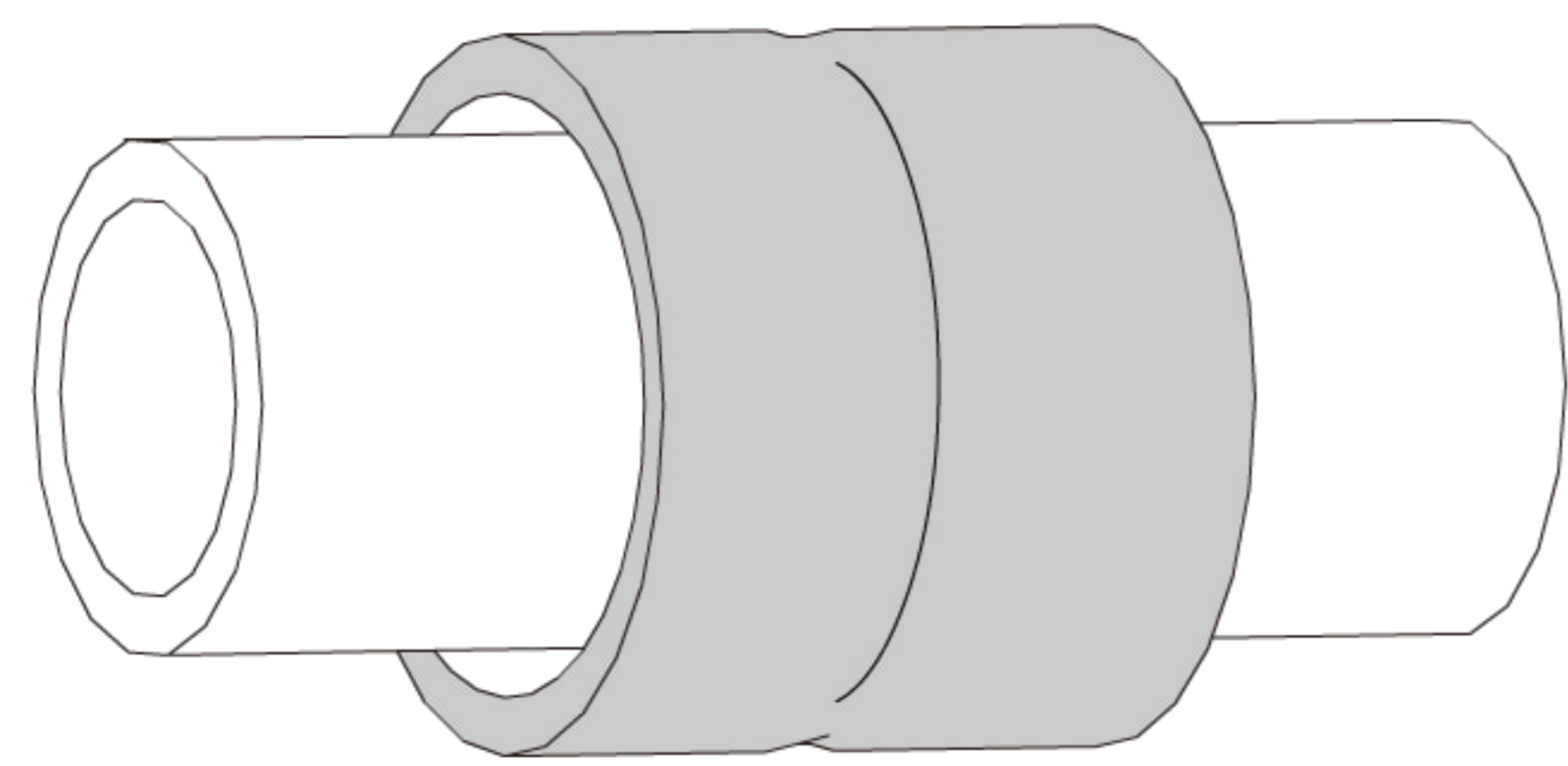
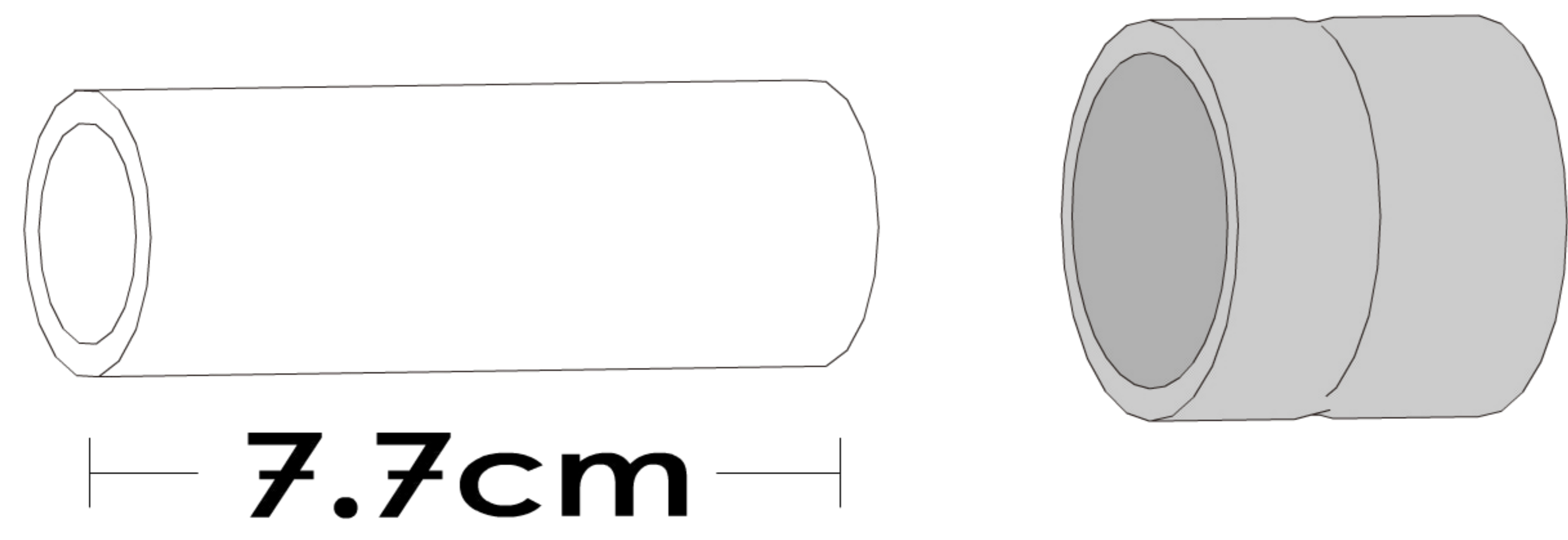
Lubricant



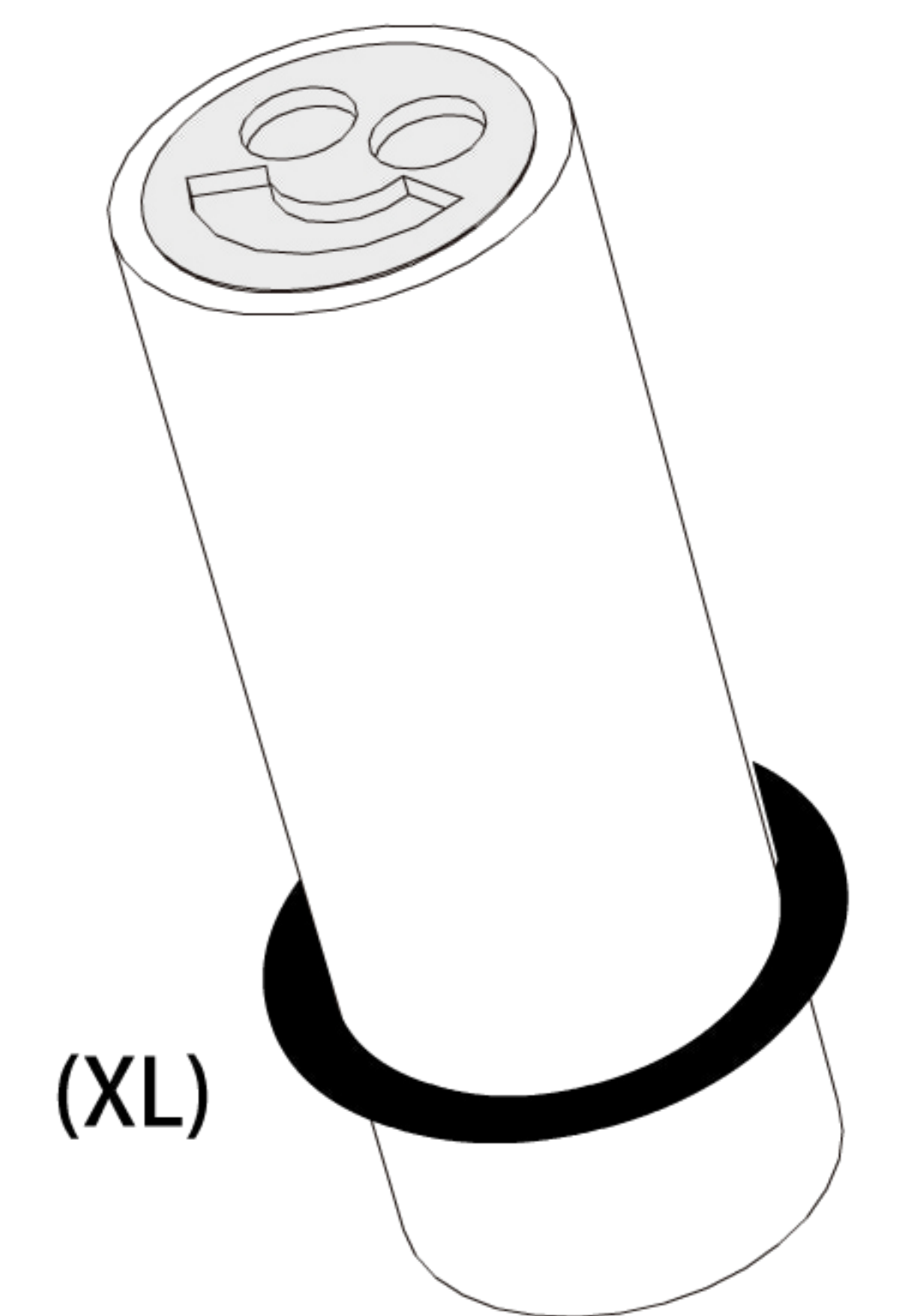
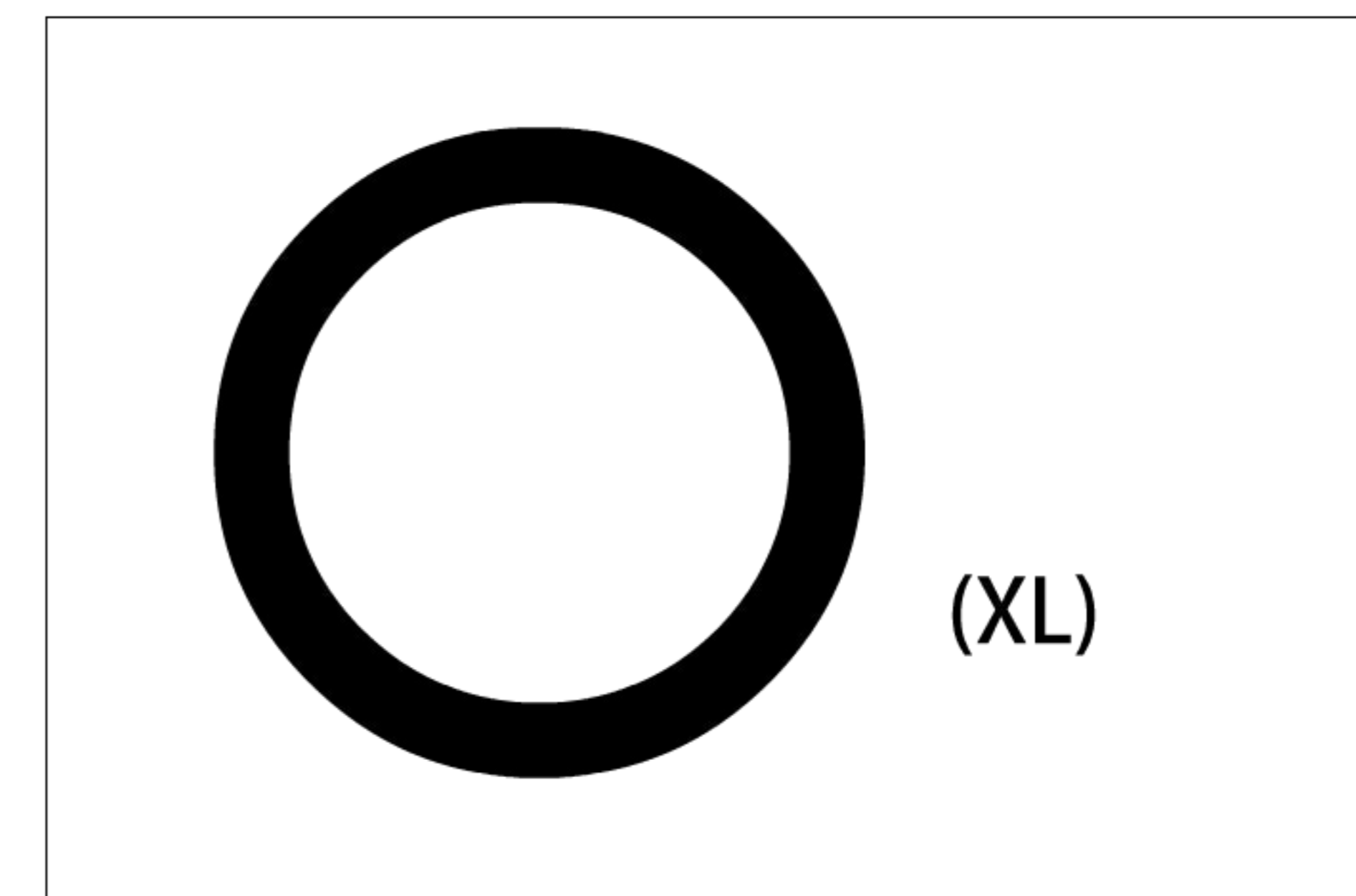
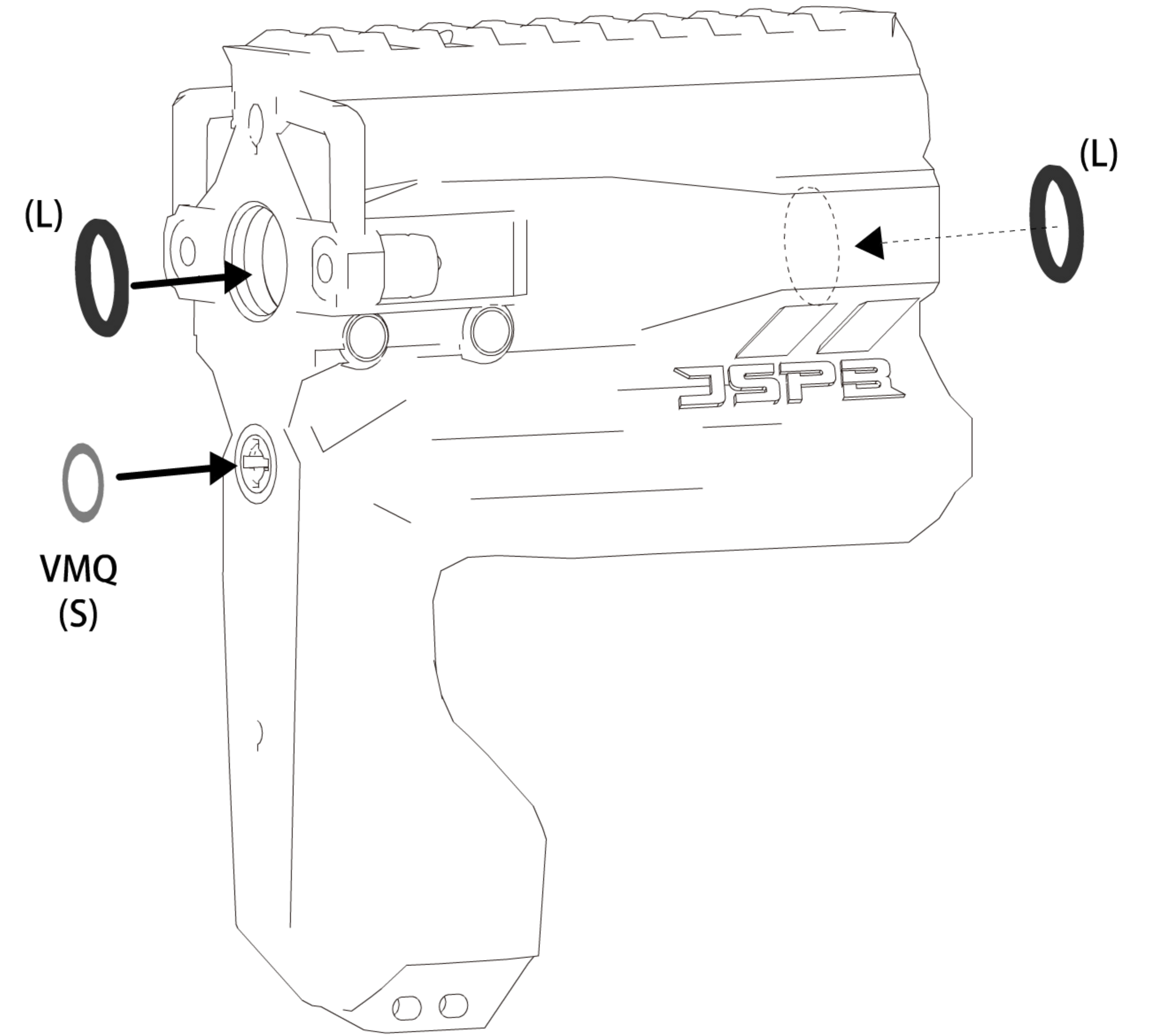
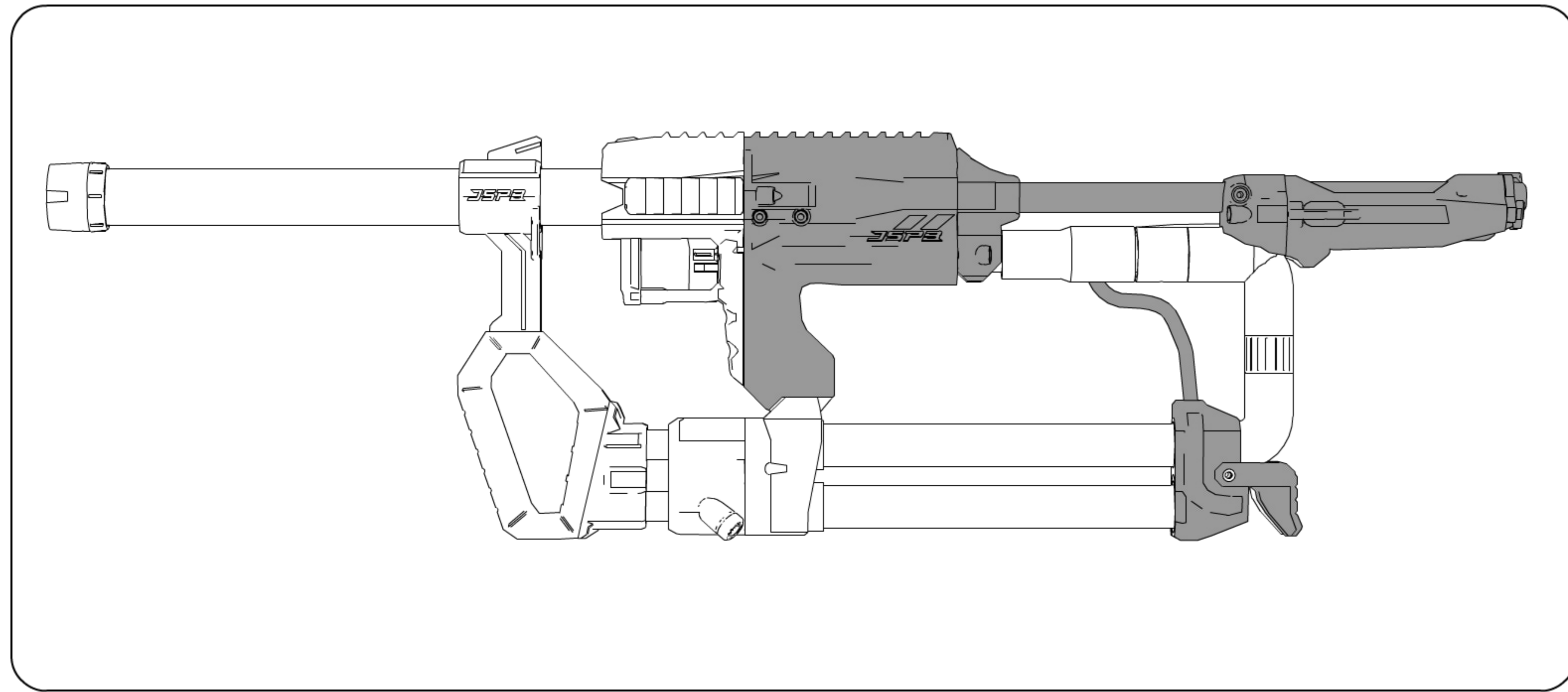
2cm

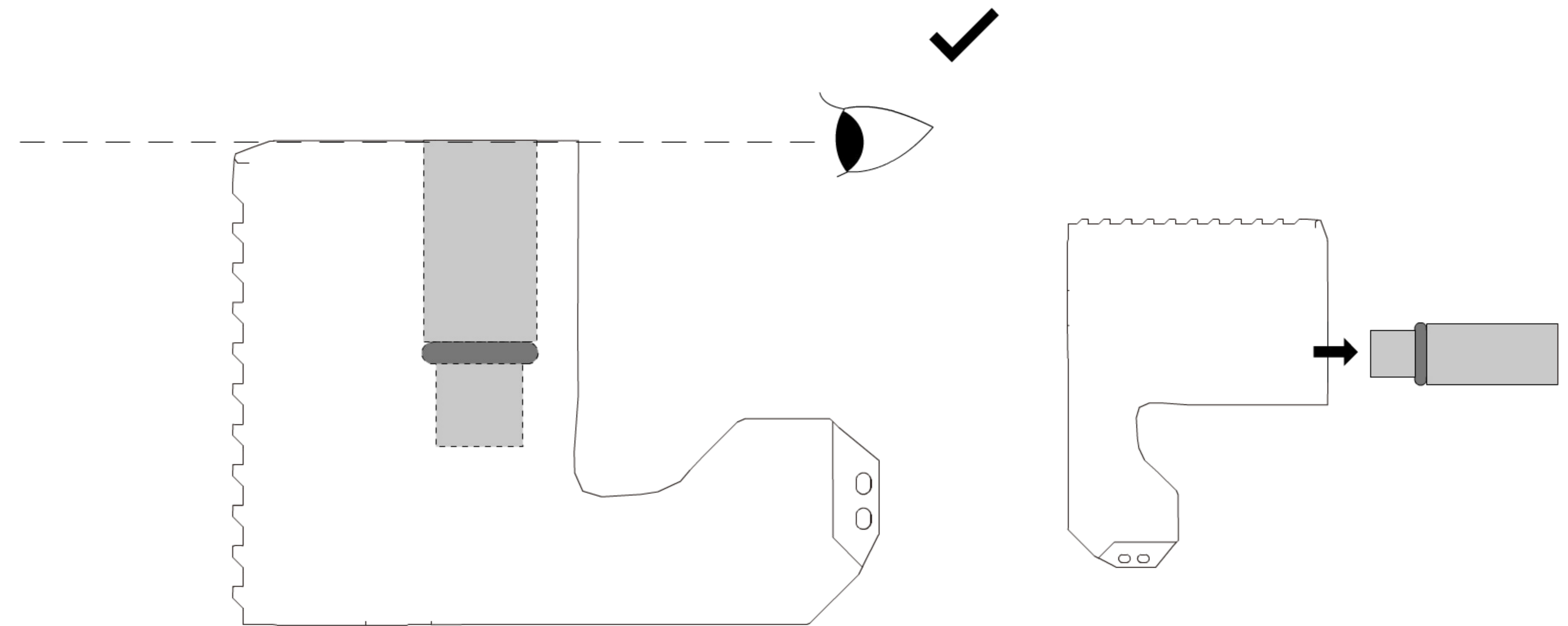
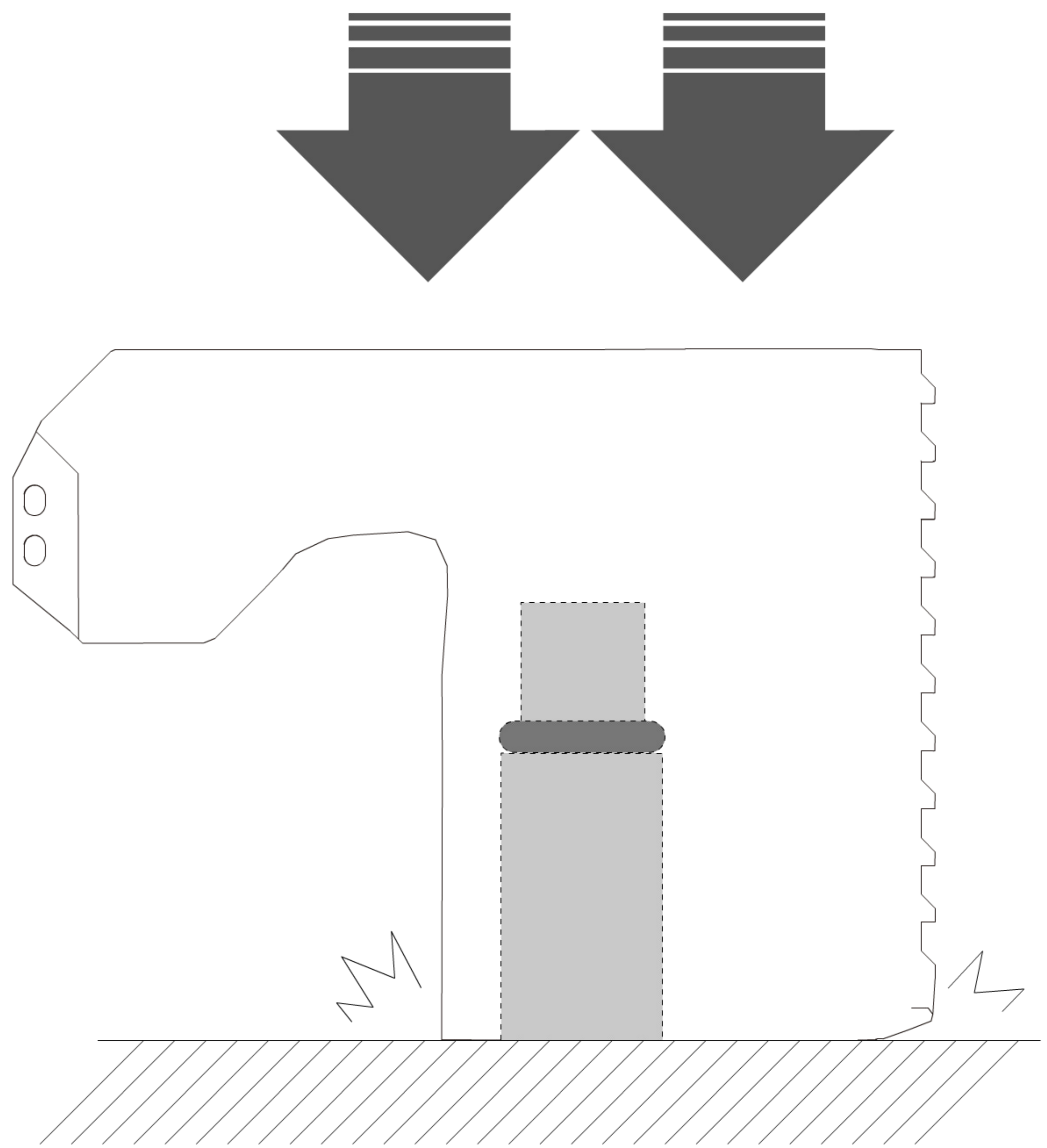
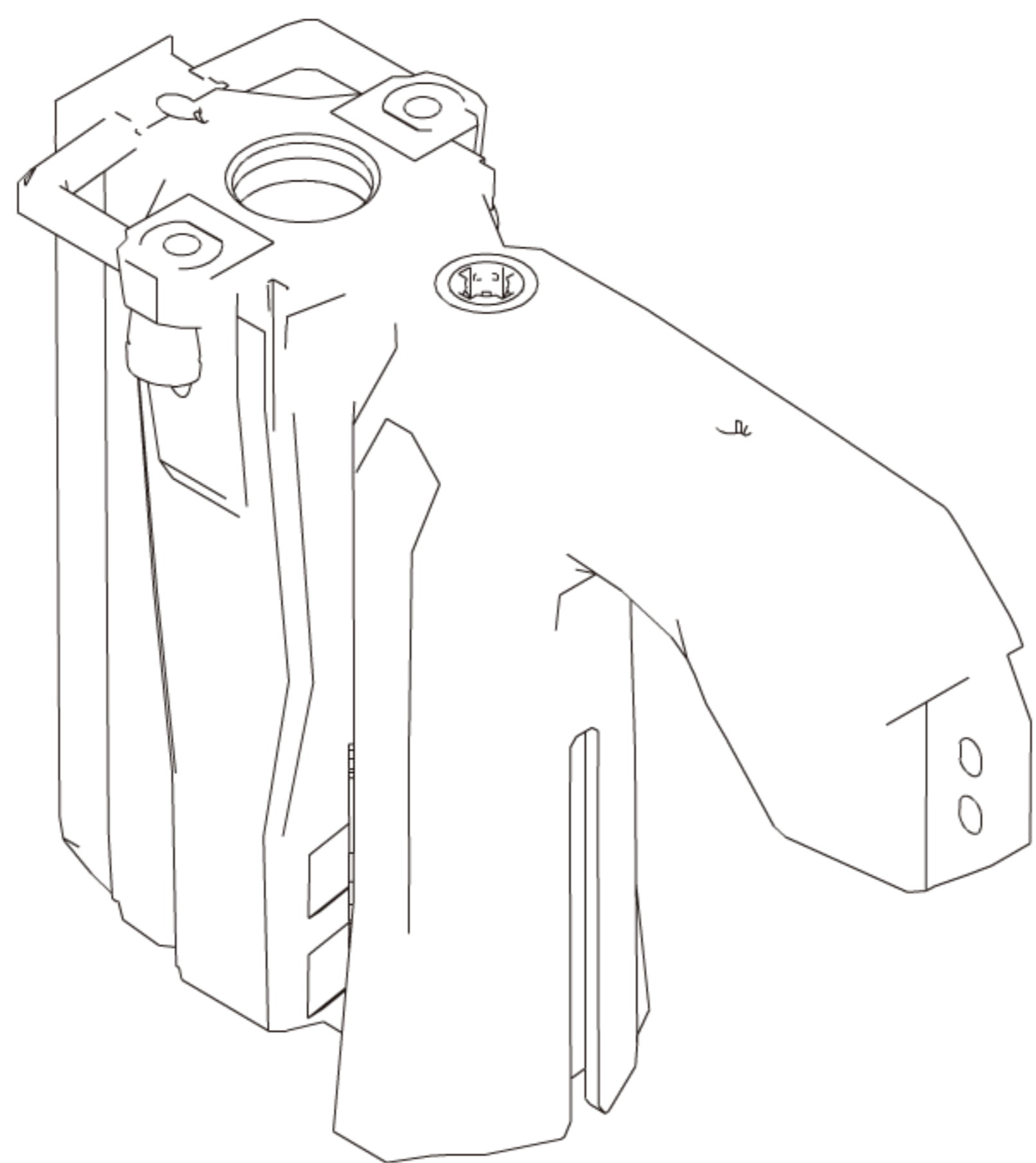
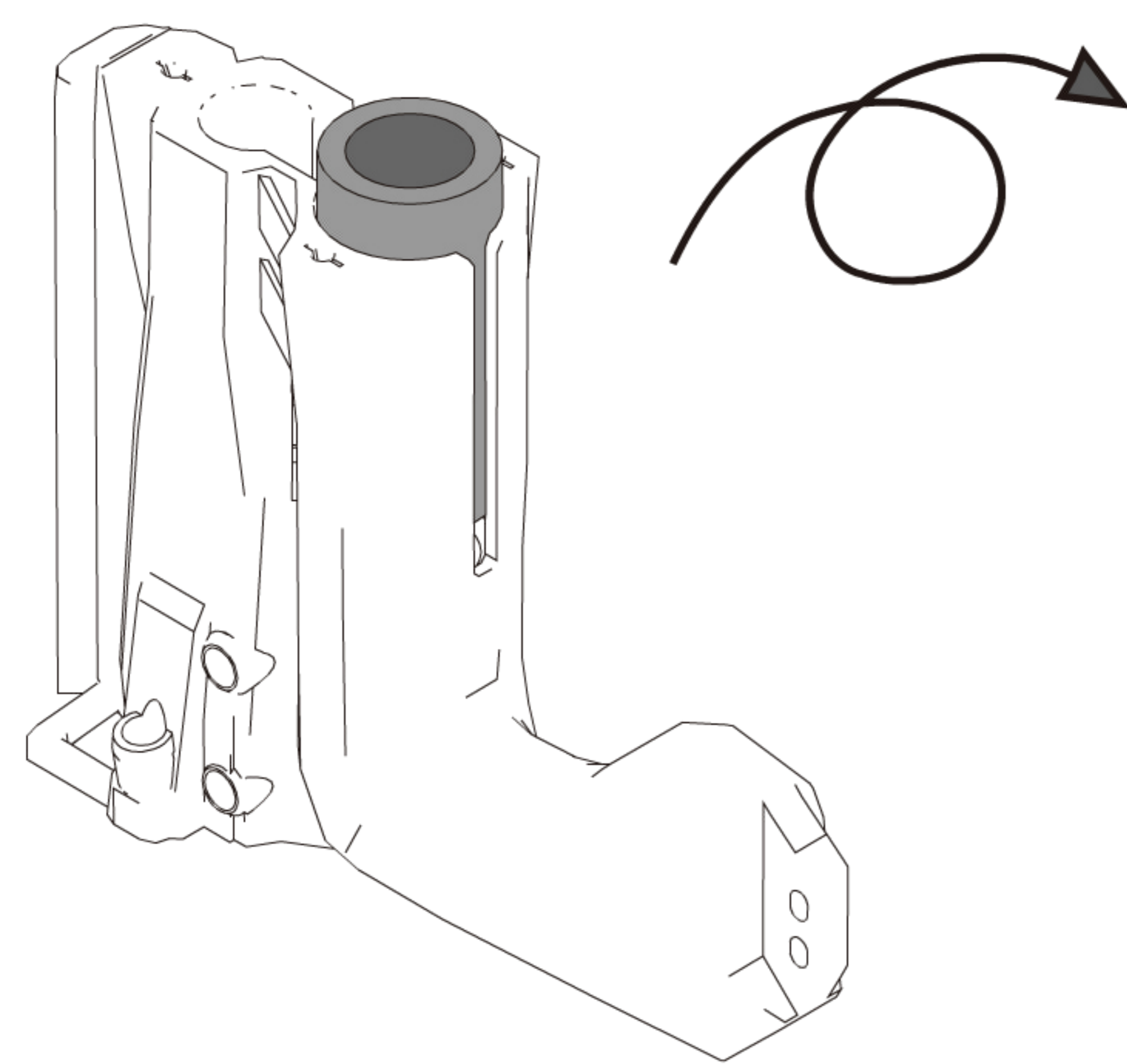
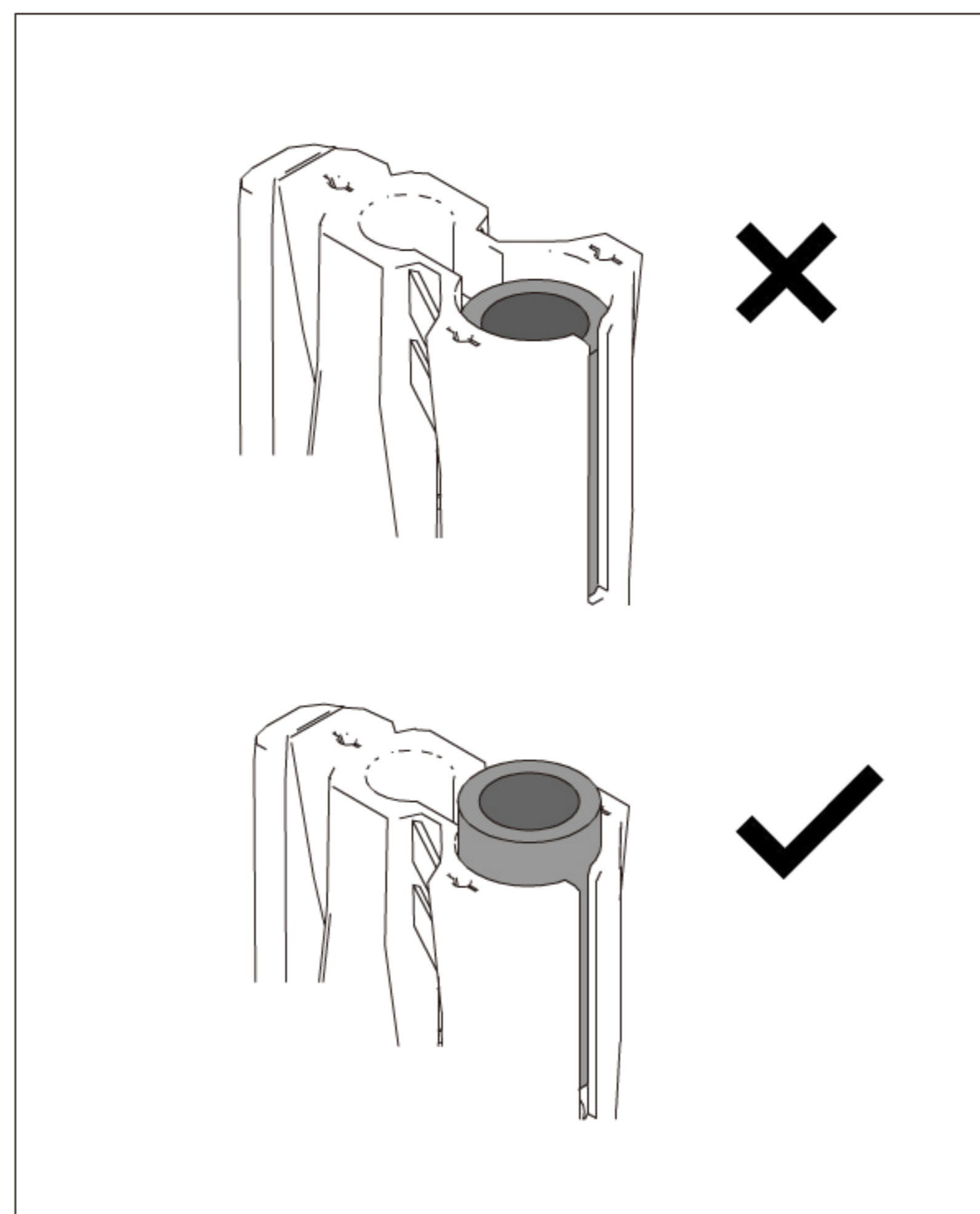
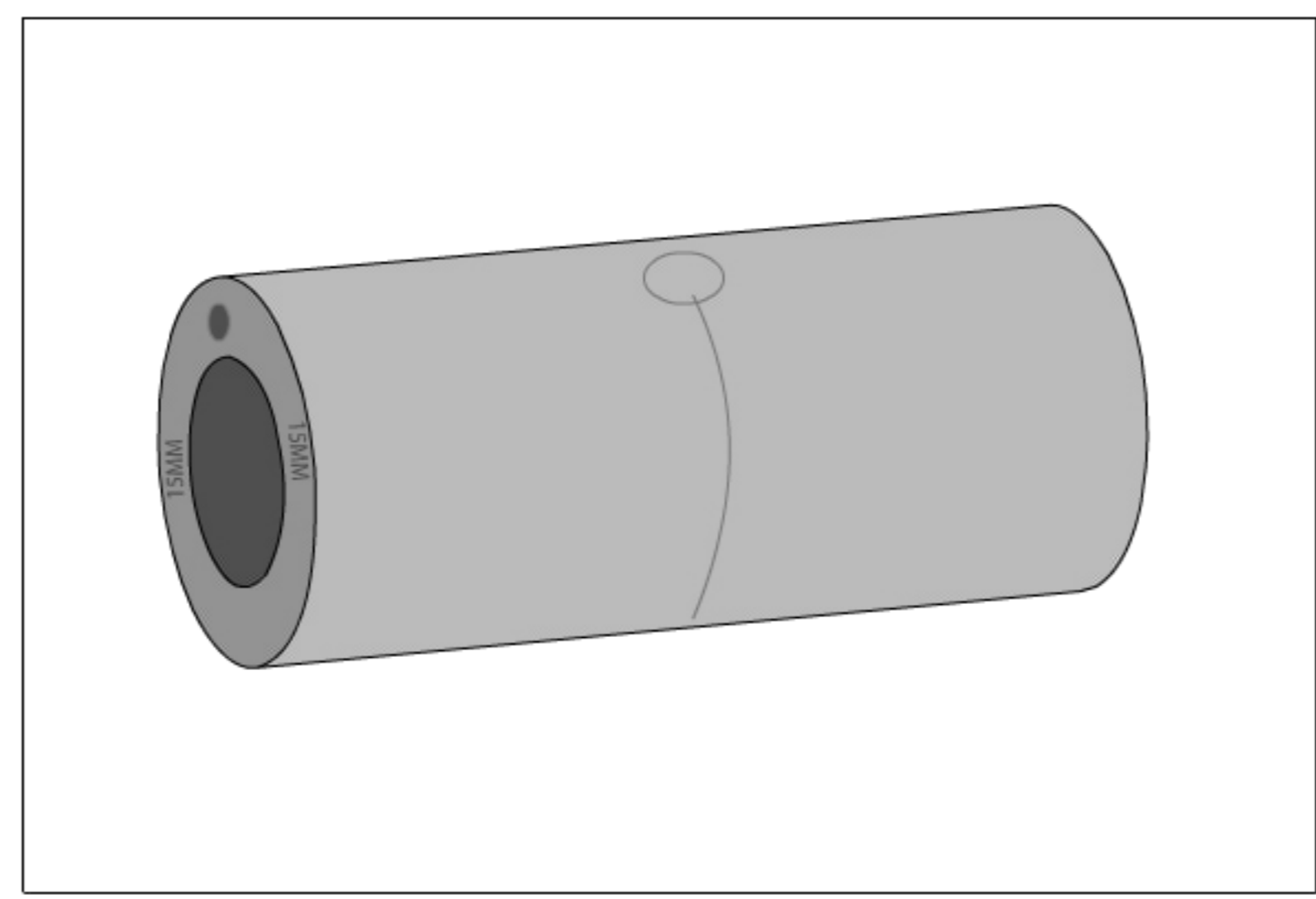
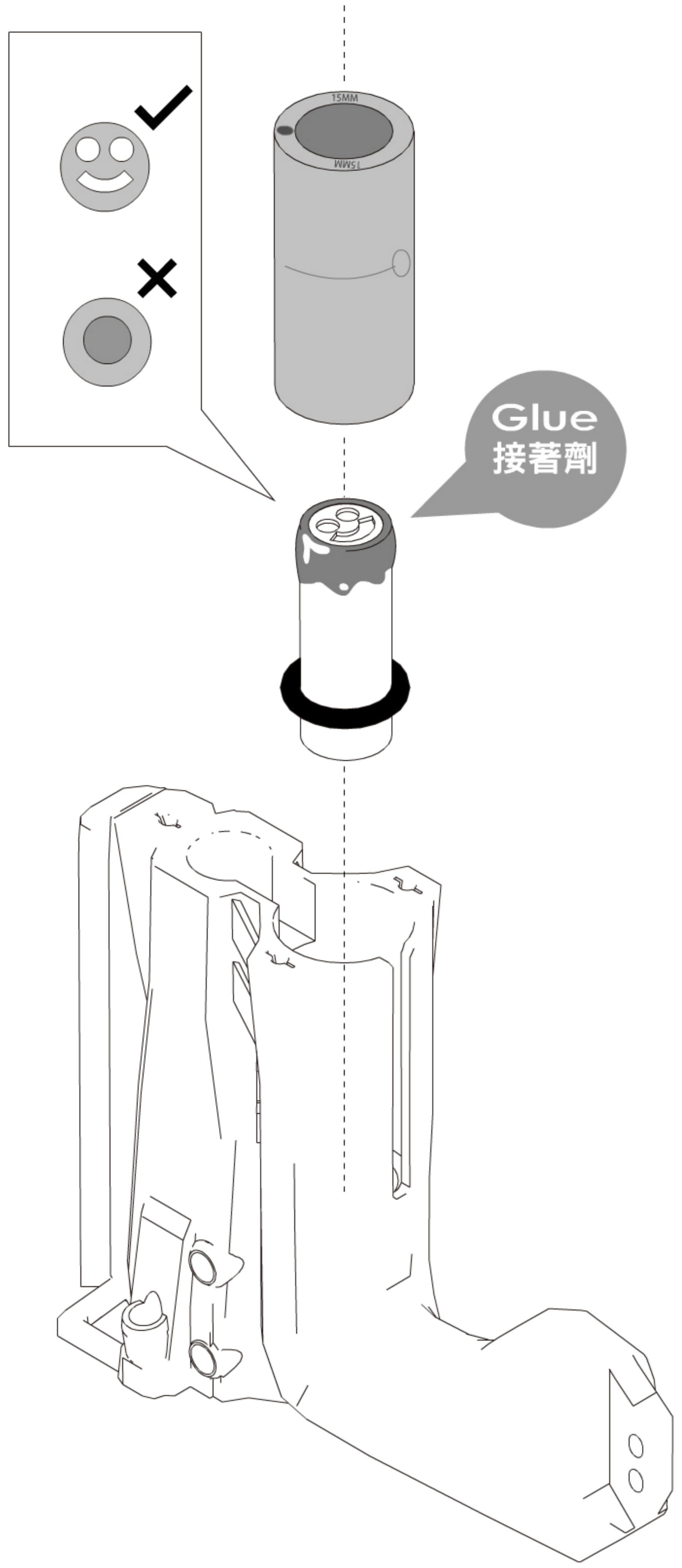


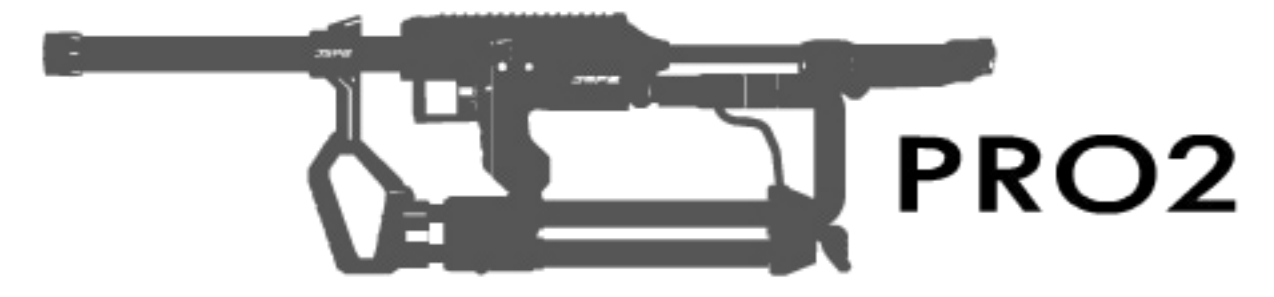
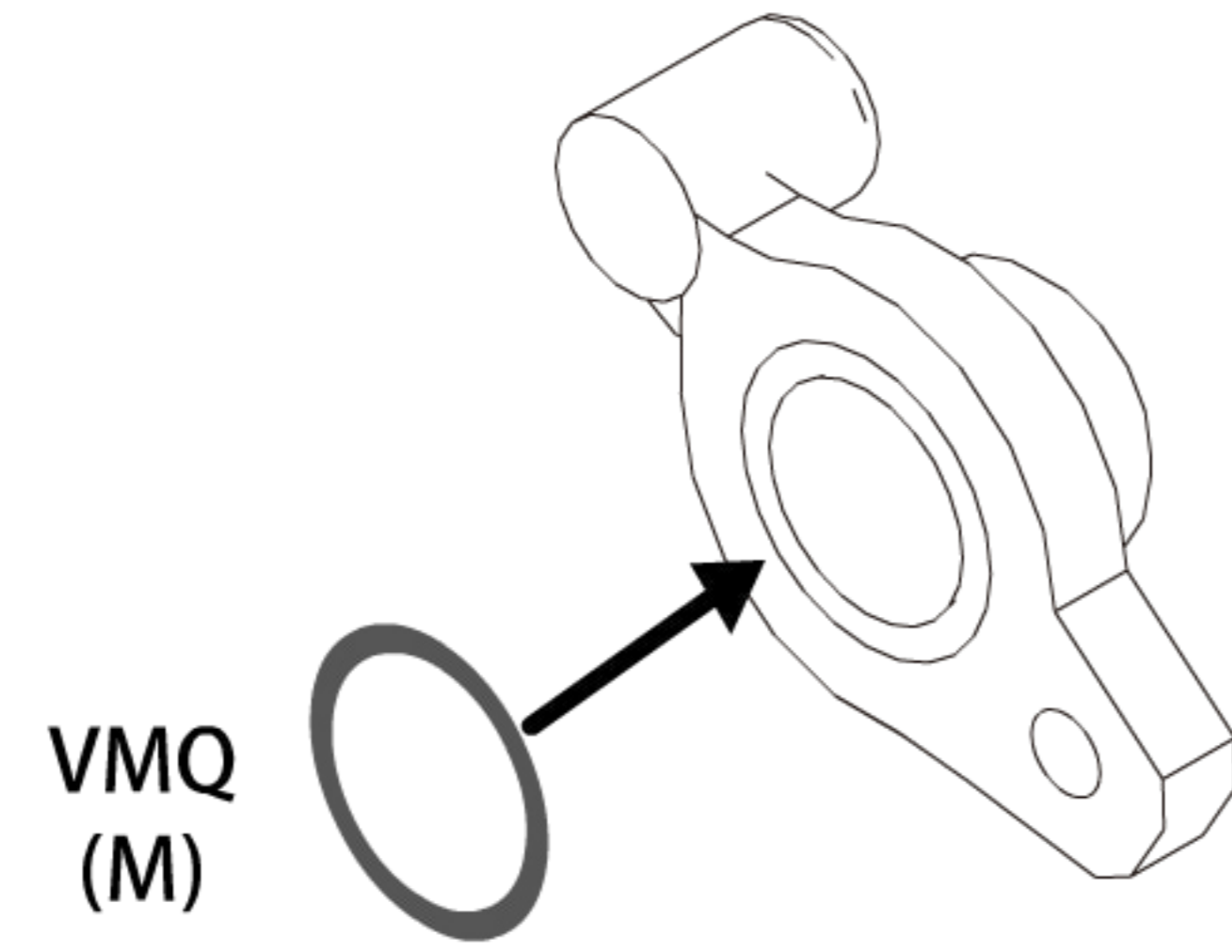
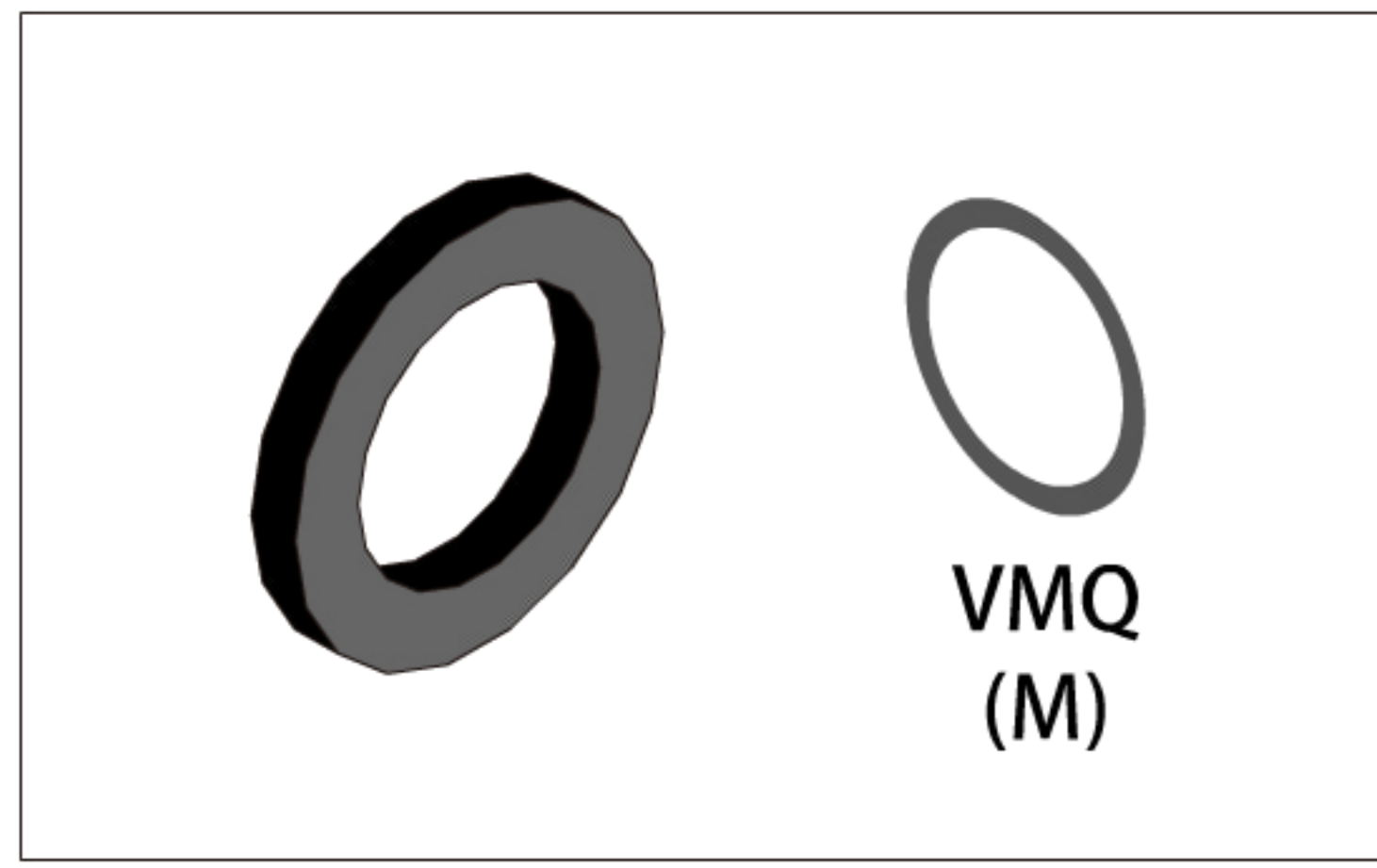




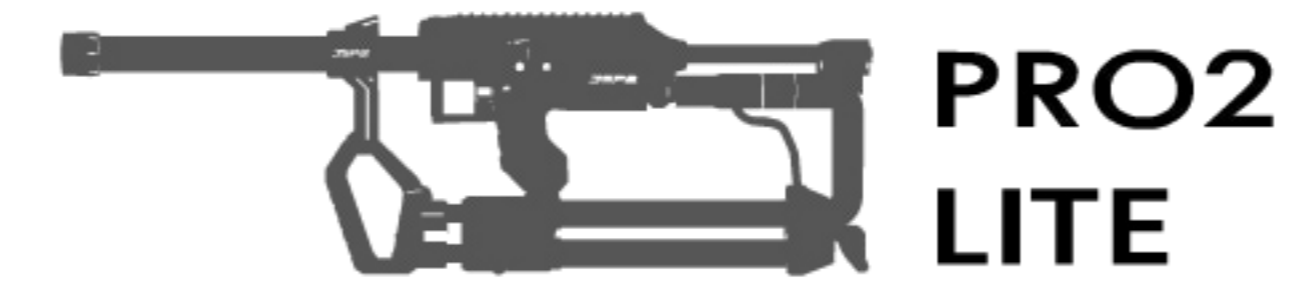
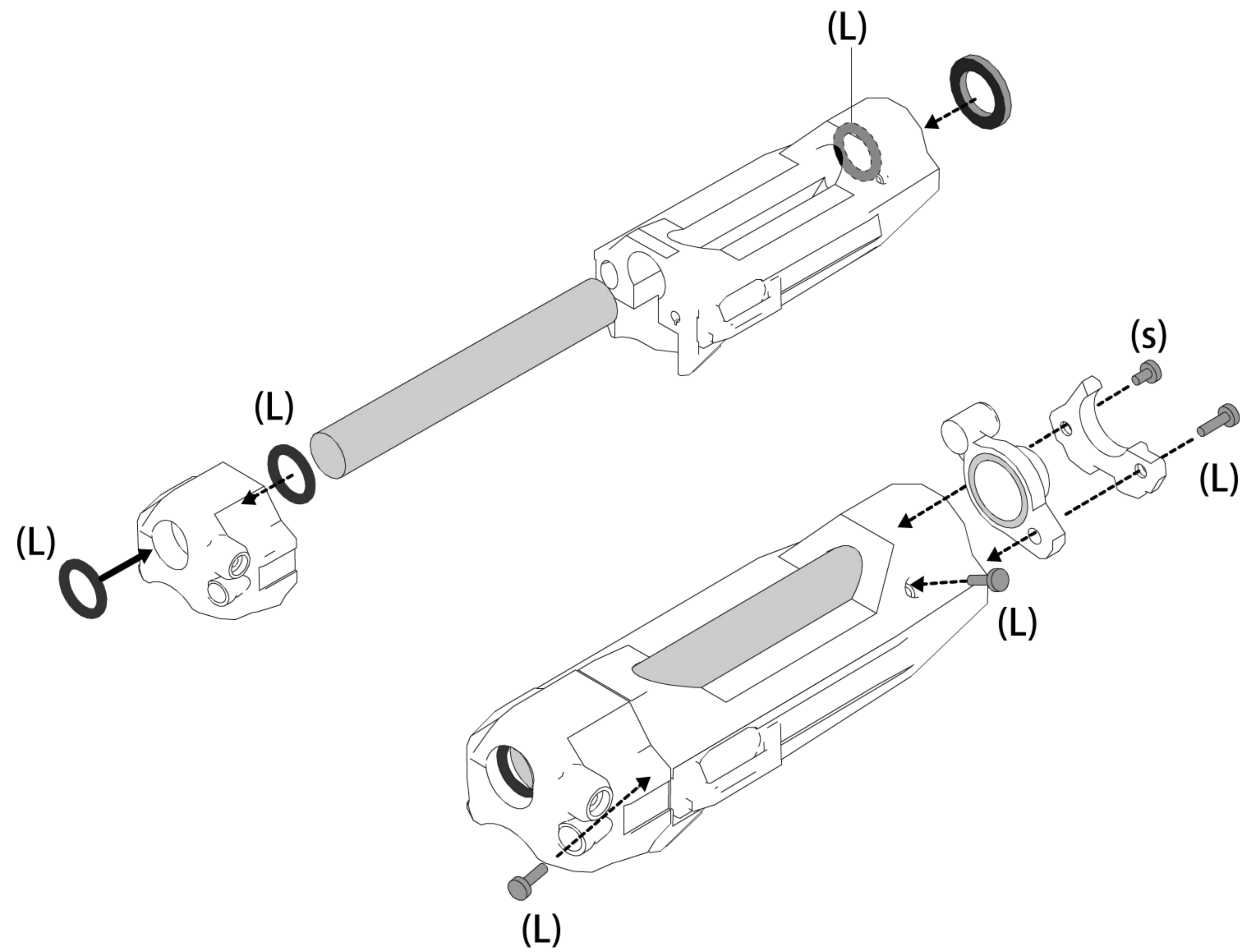
**NEXT>>**



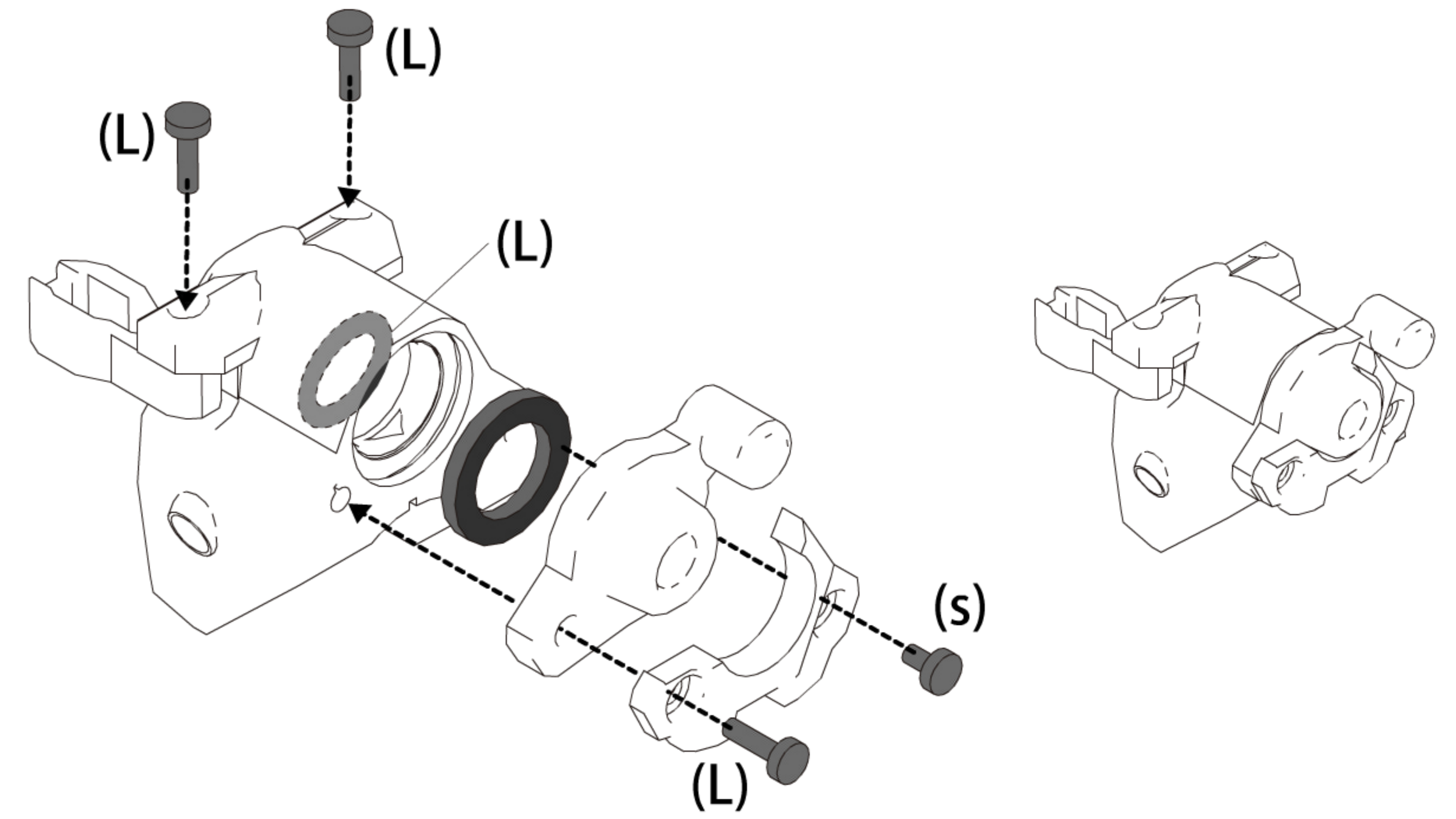


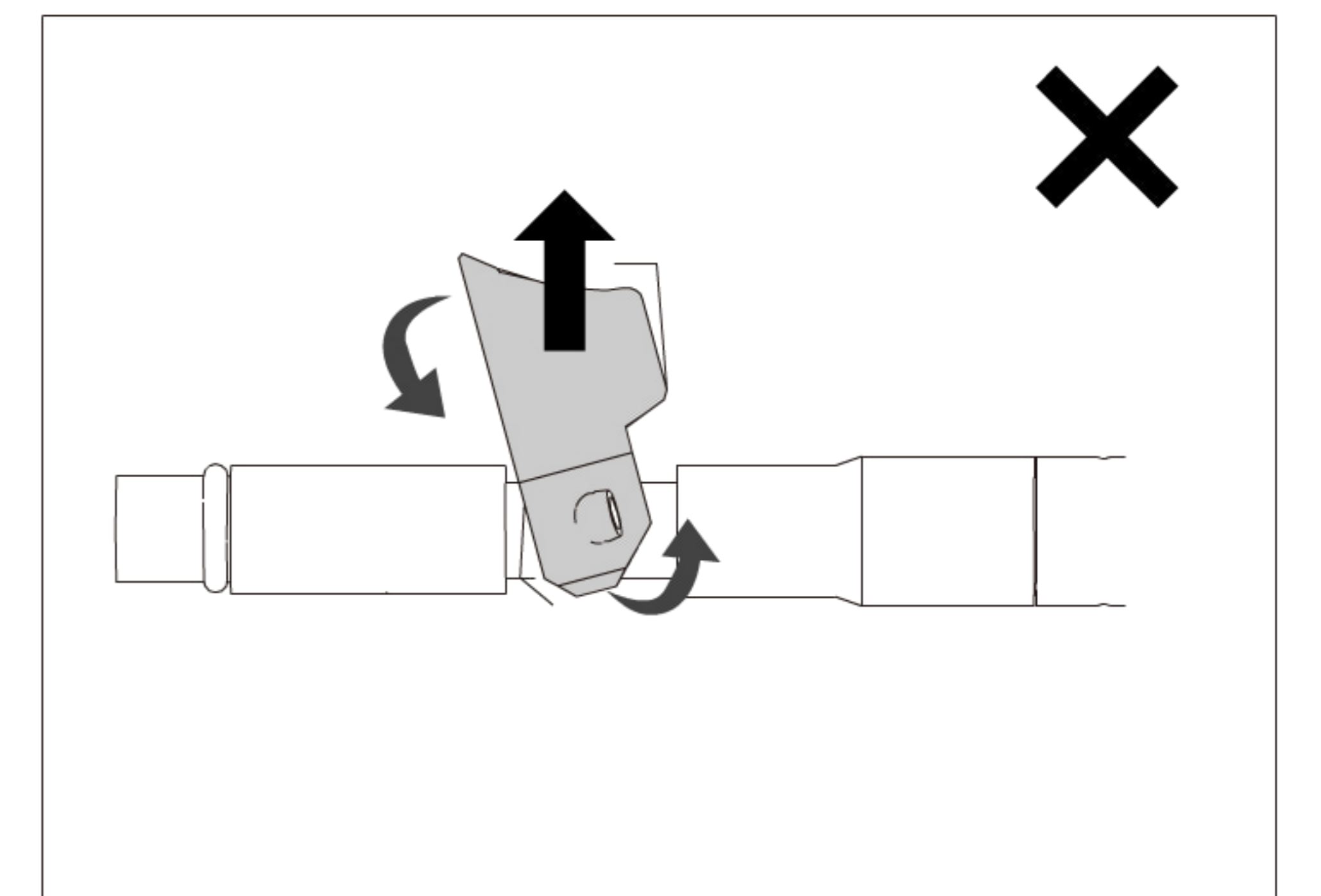
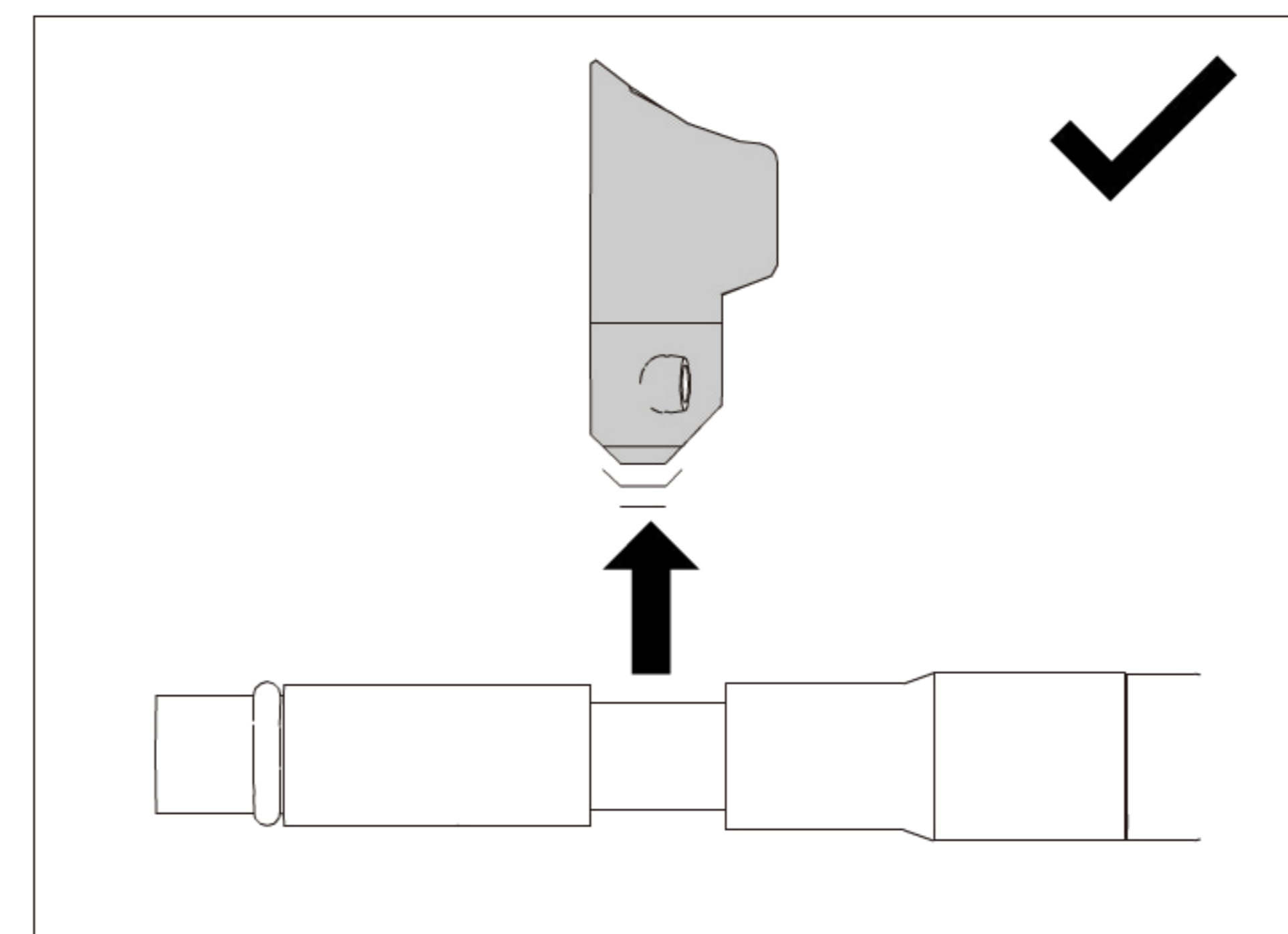
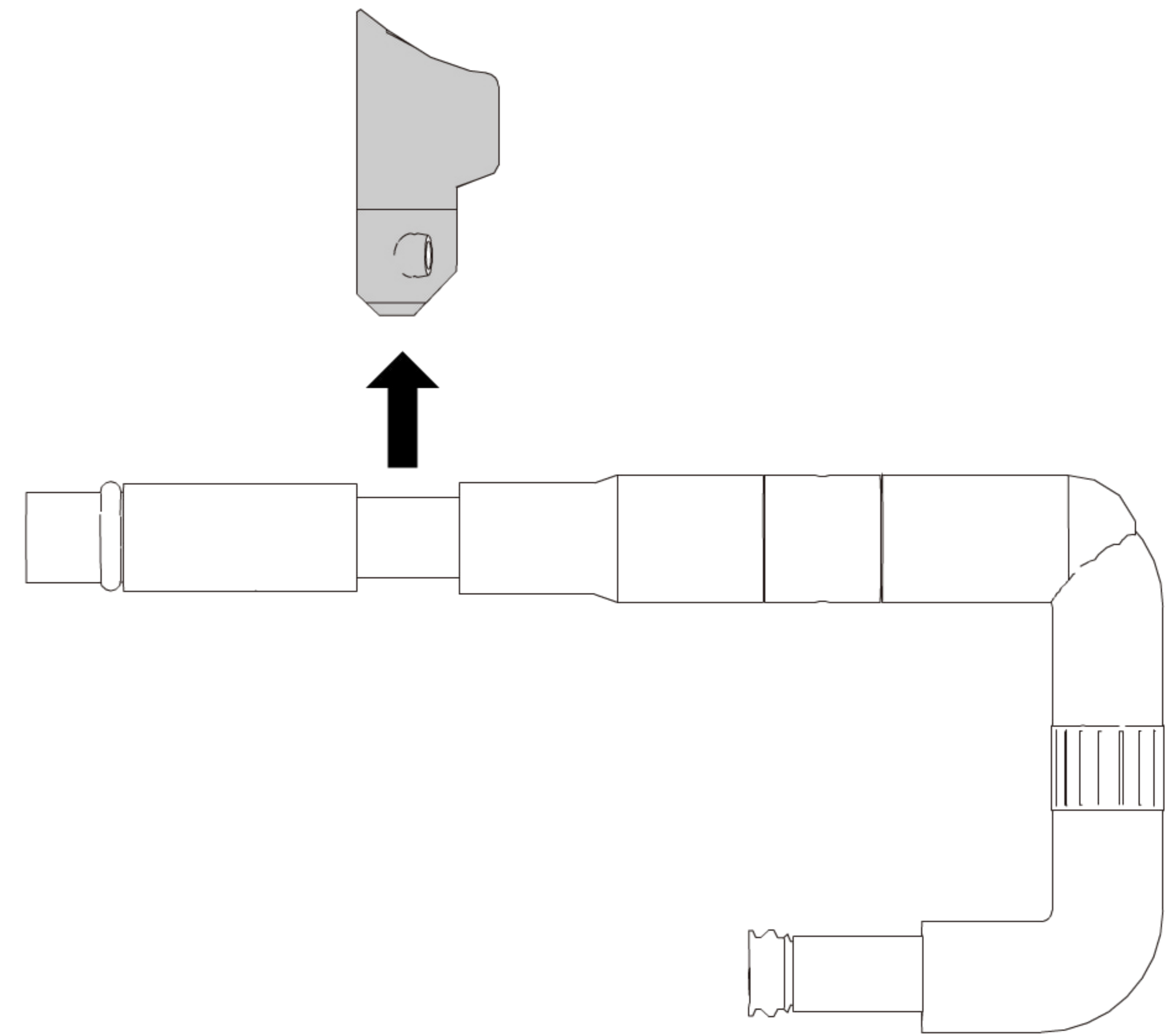
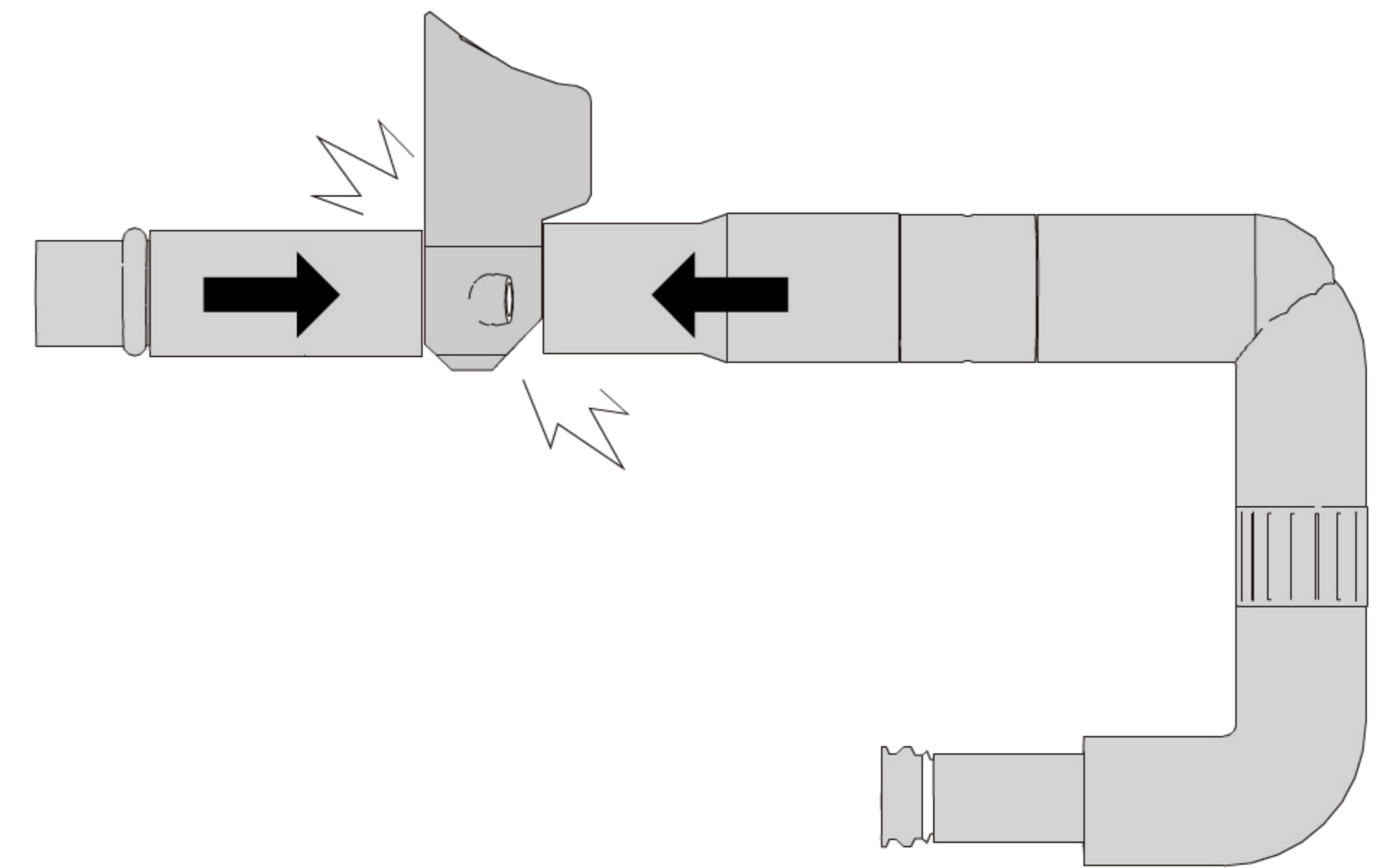
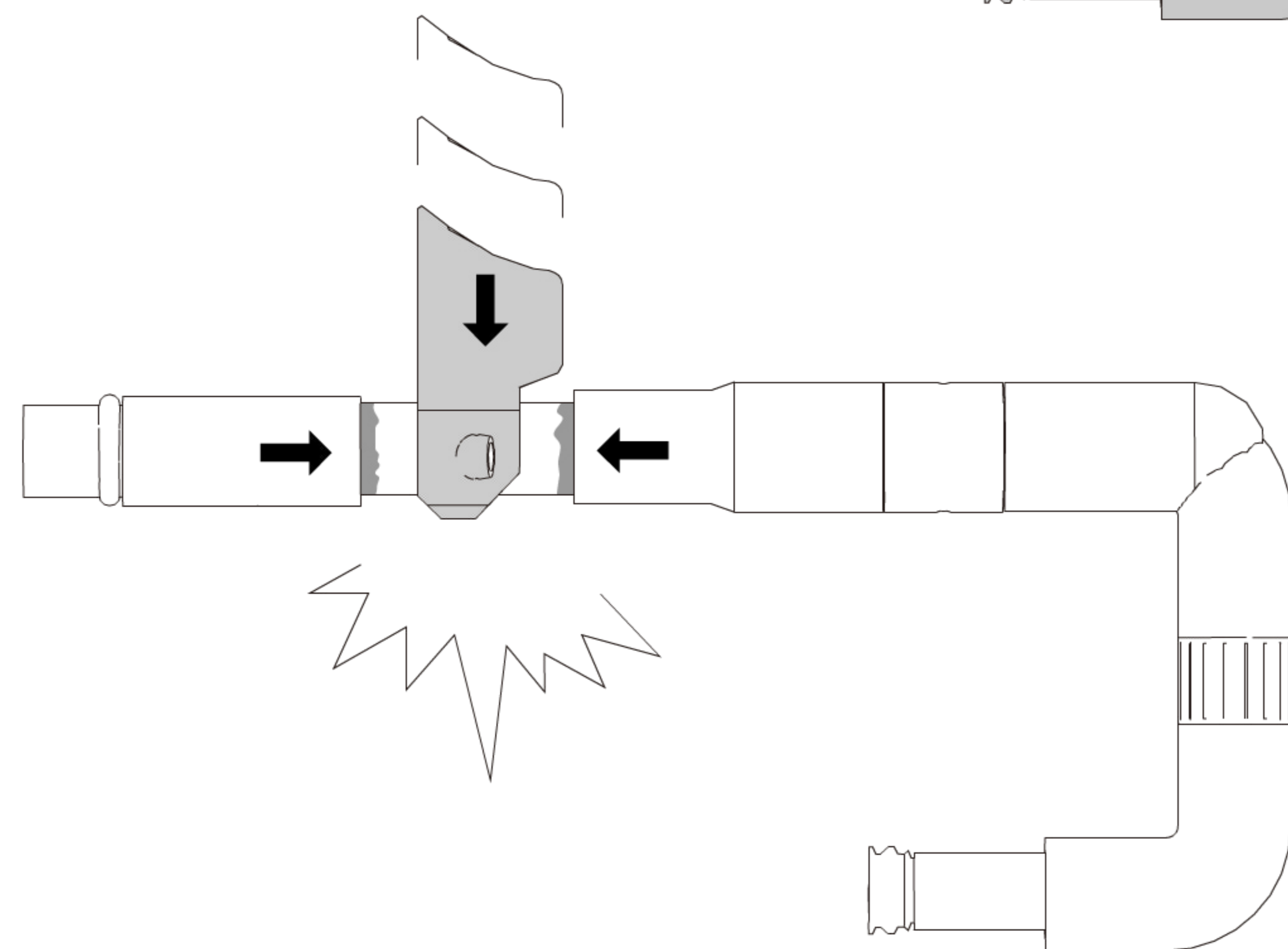
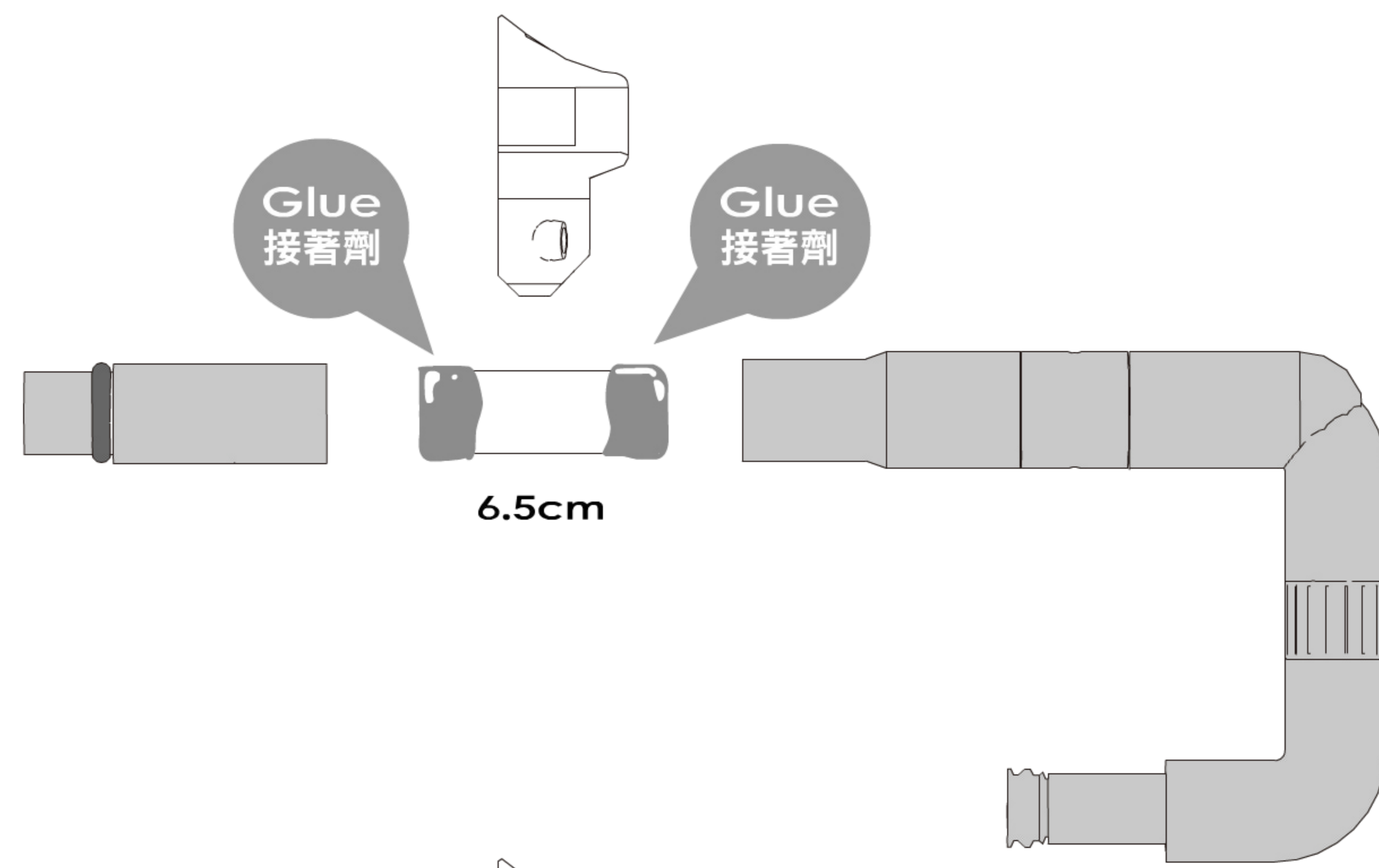
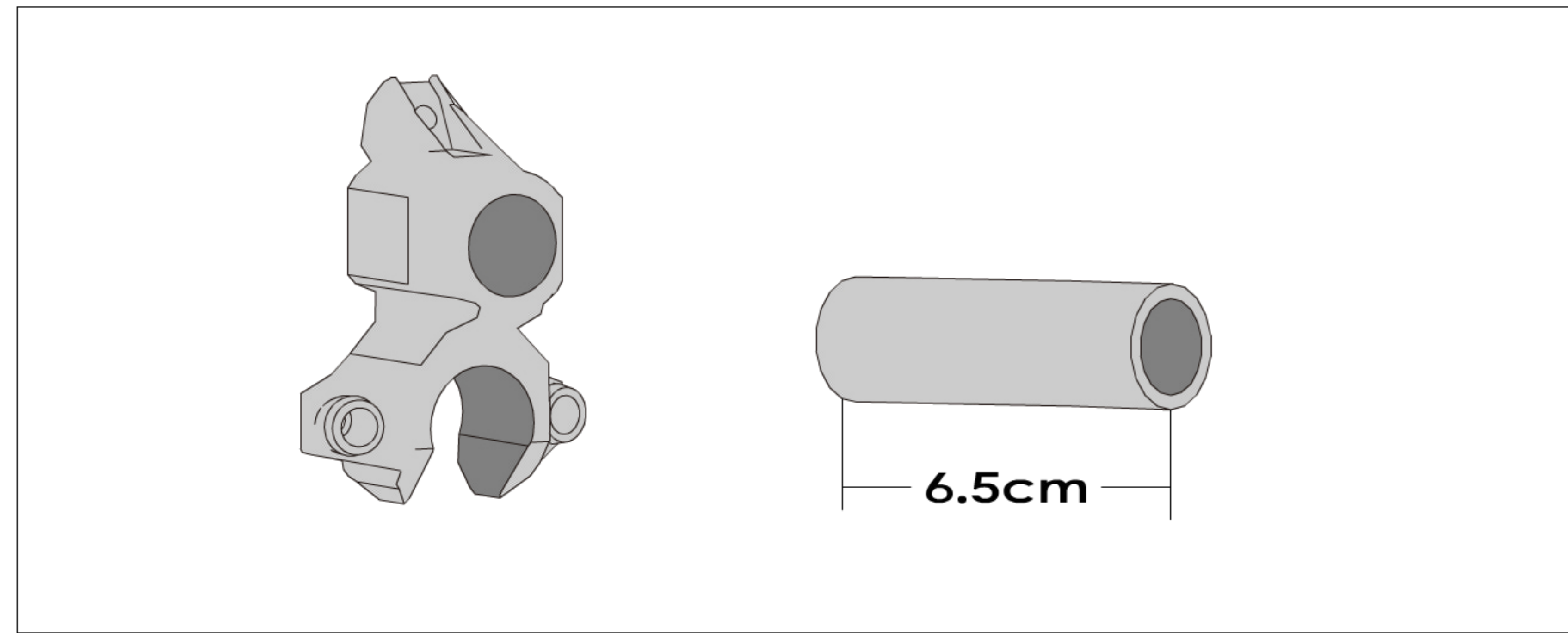


PRO2

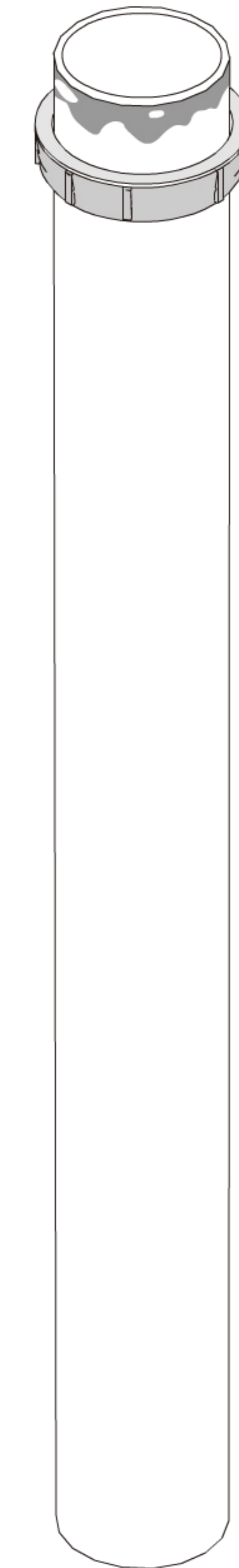
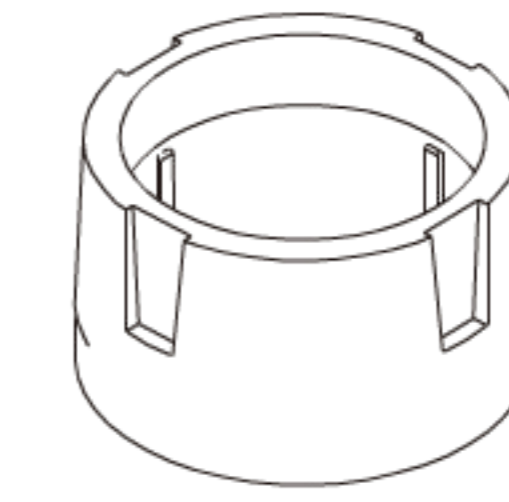
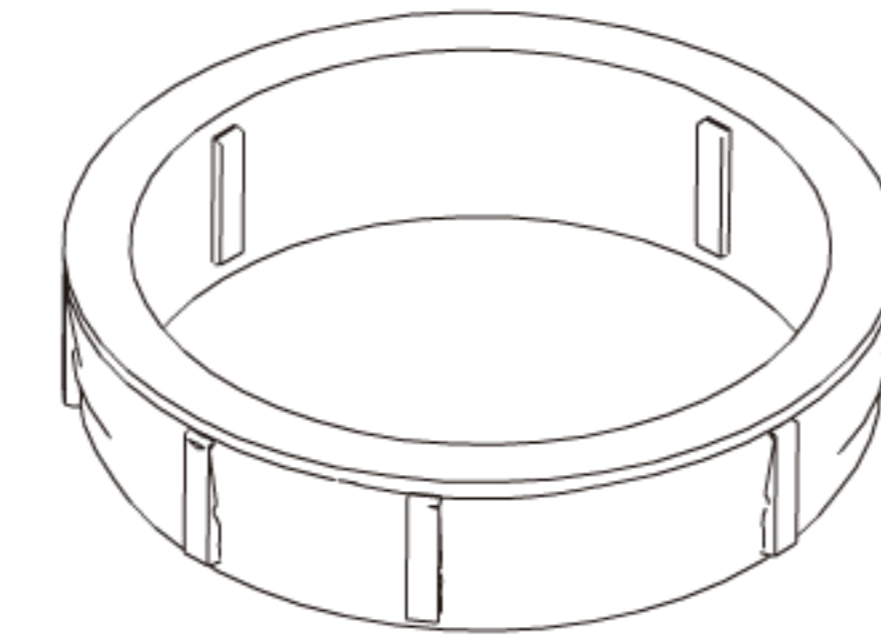
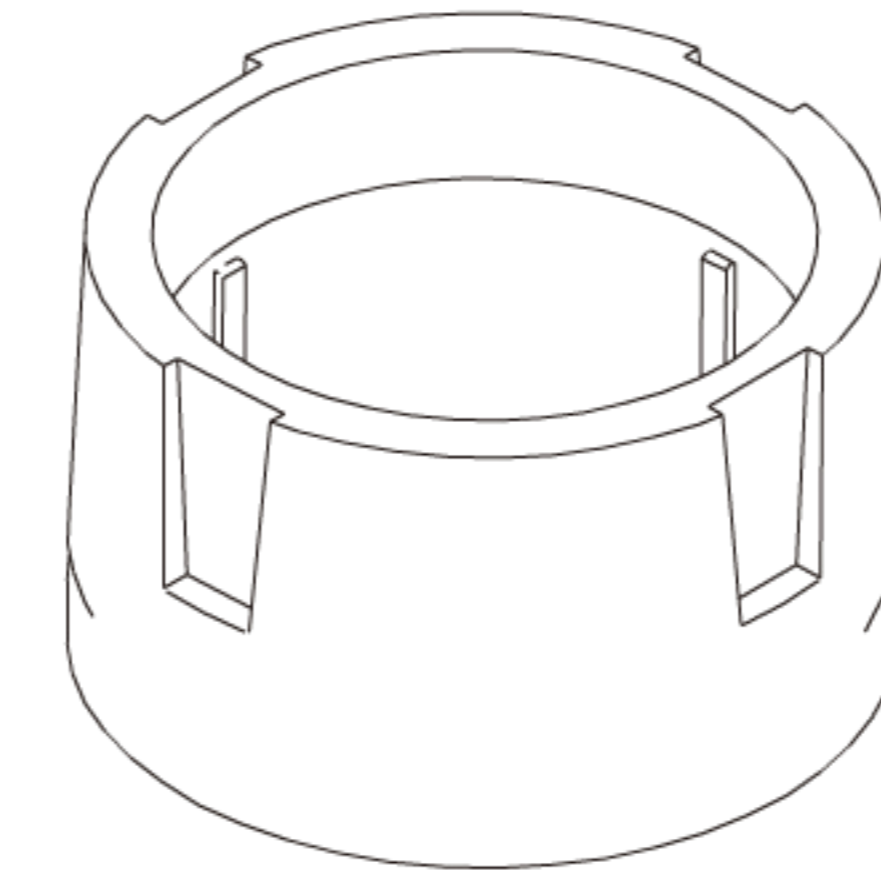
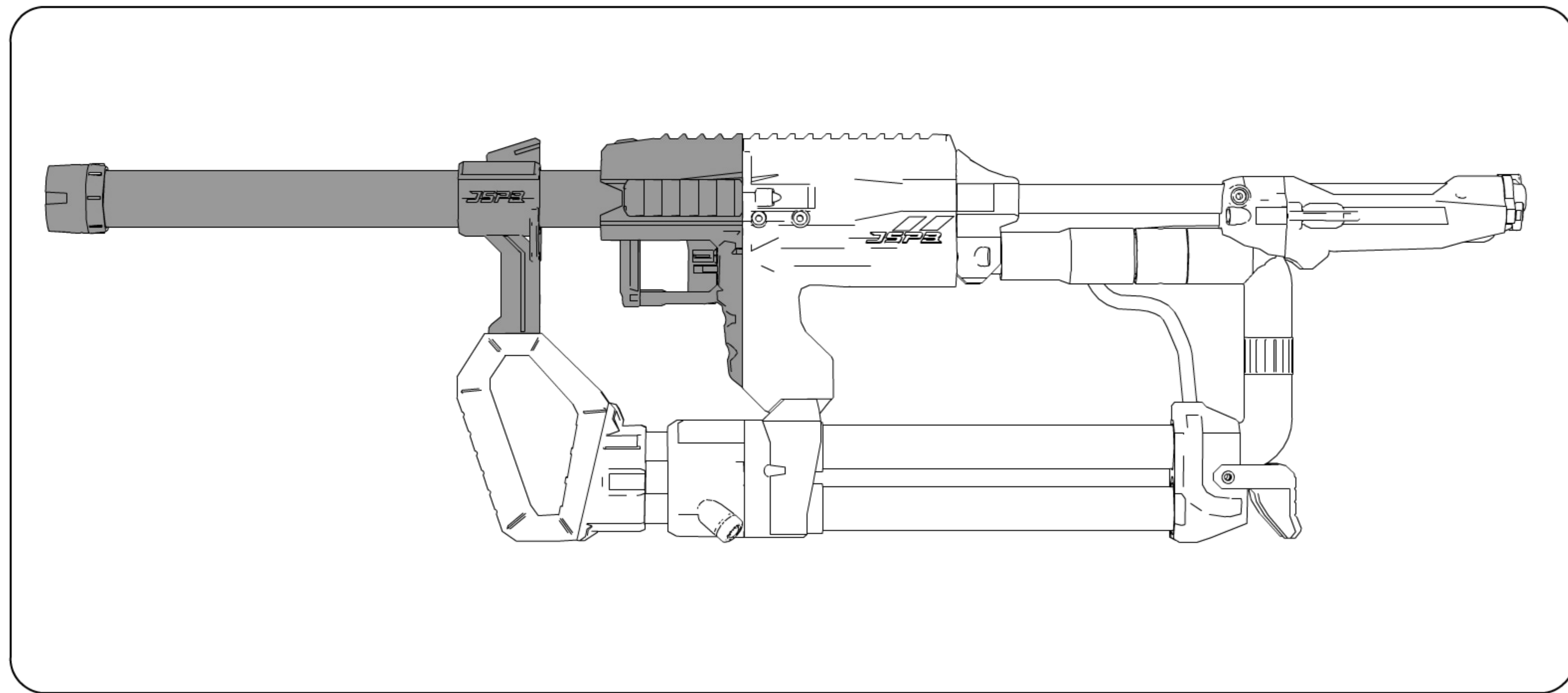


PRO2  
LITE

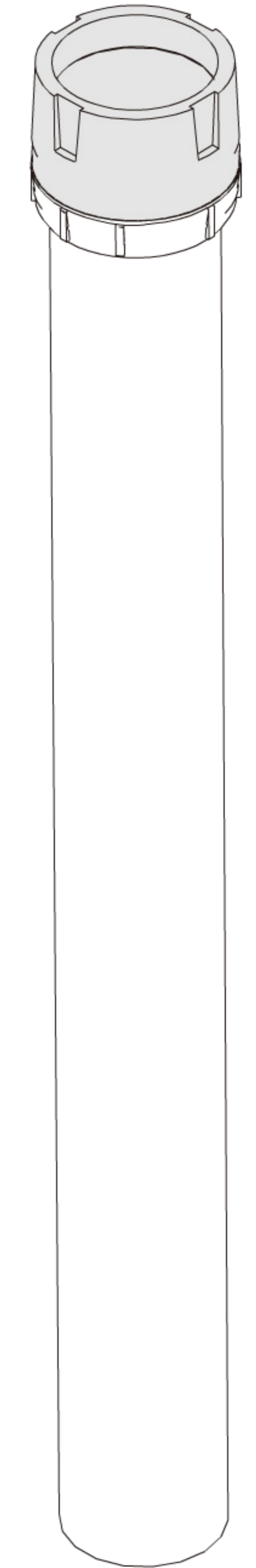


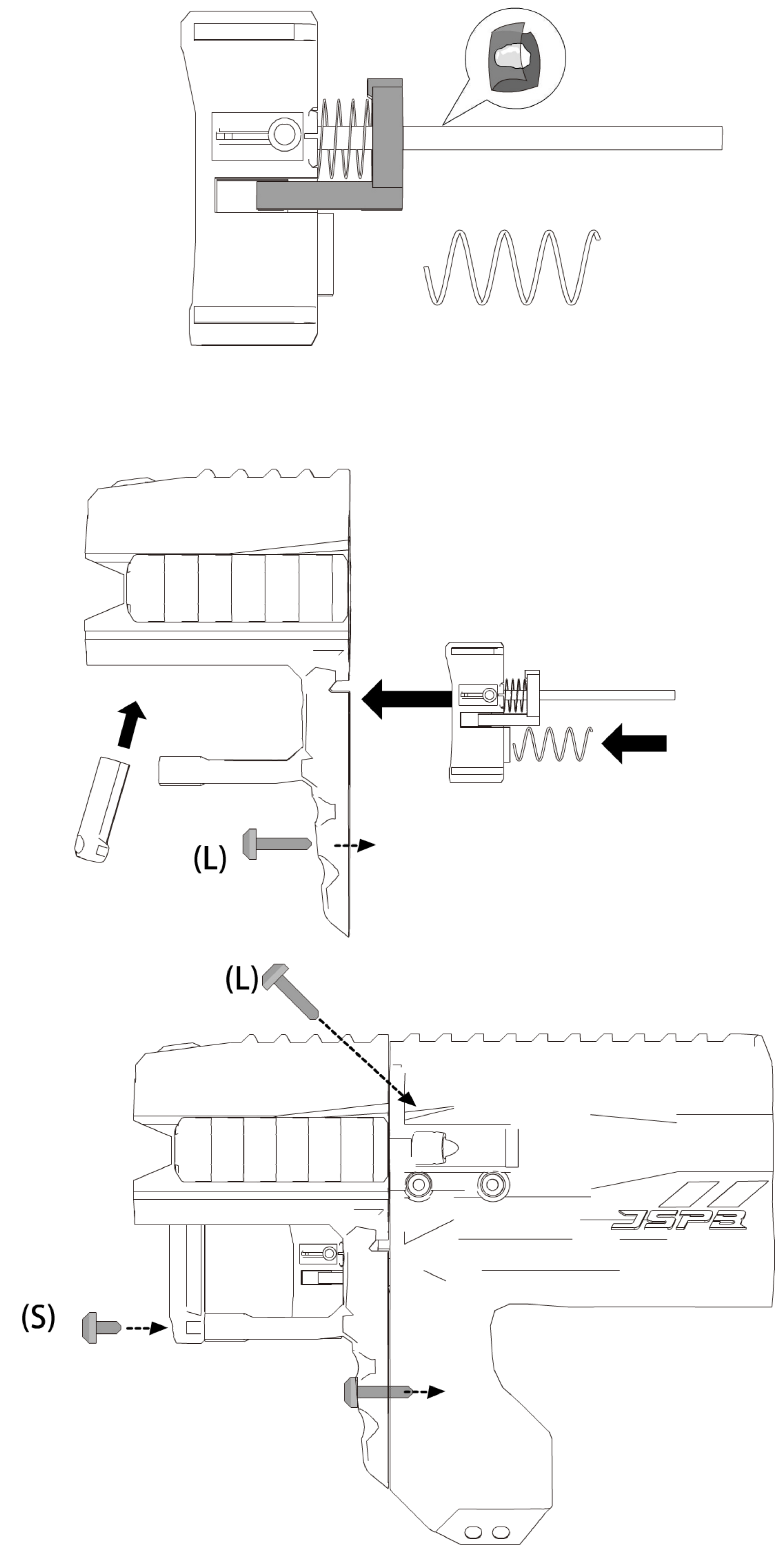
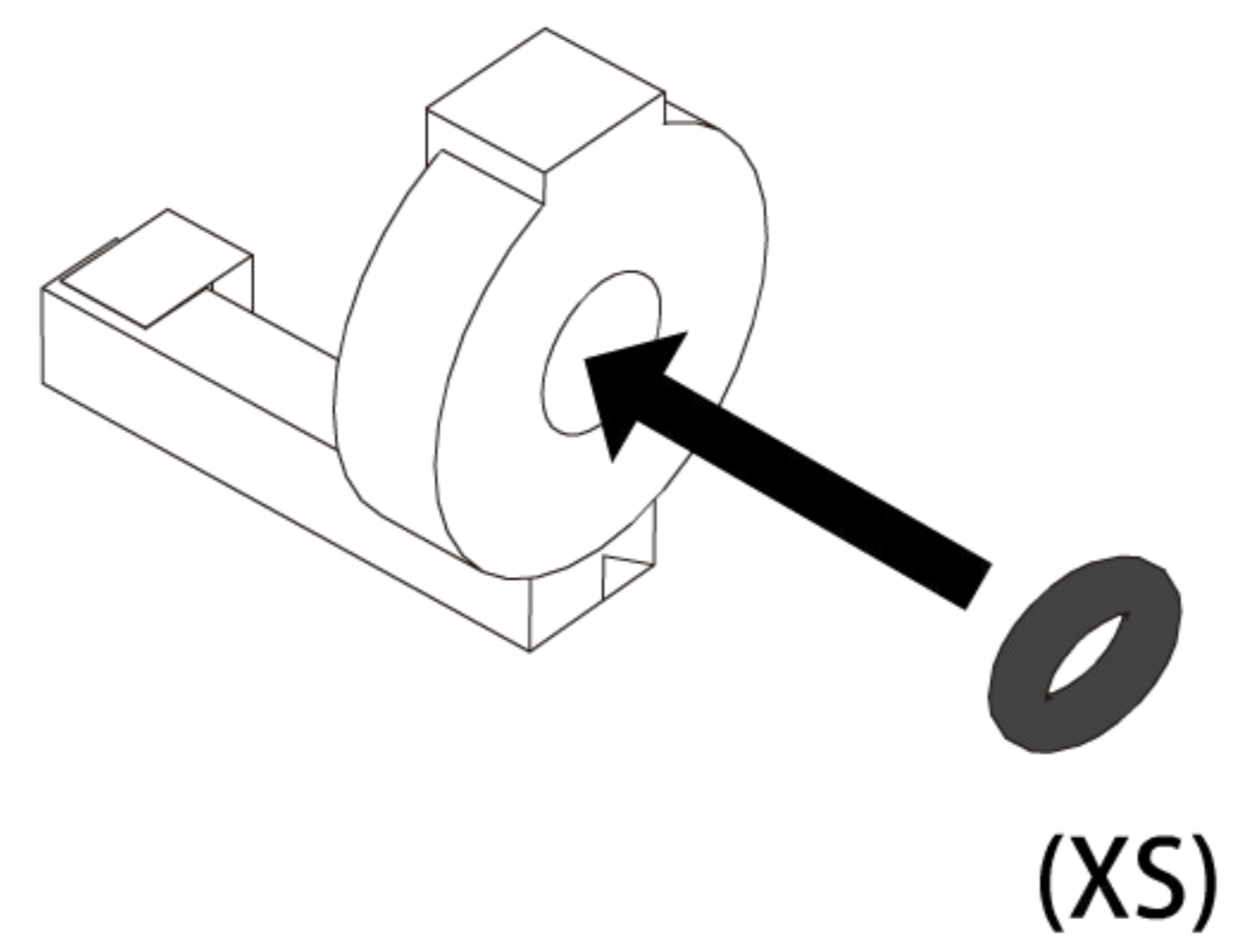
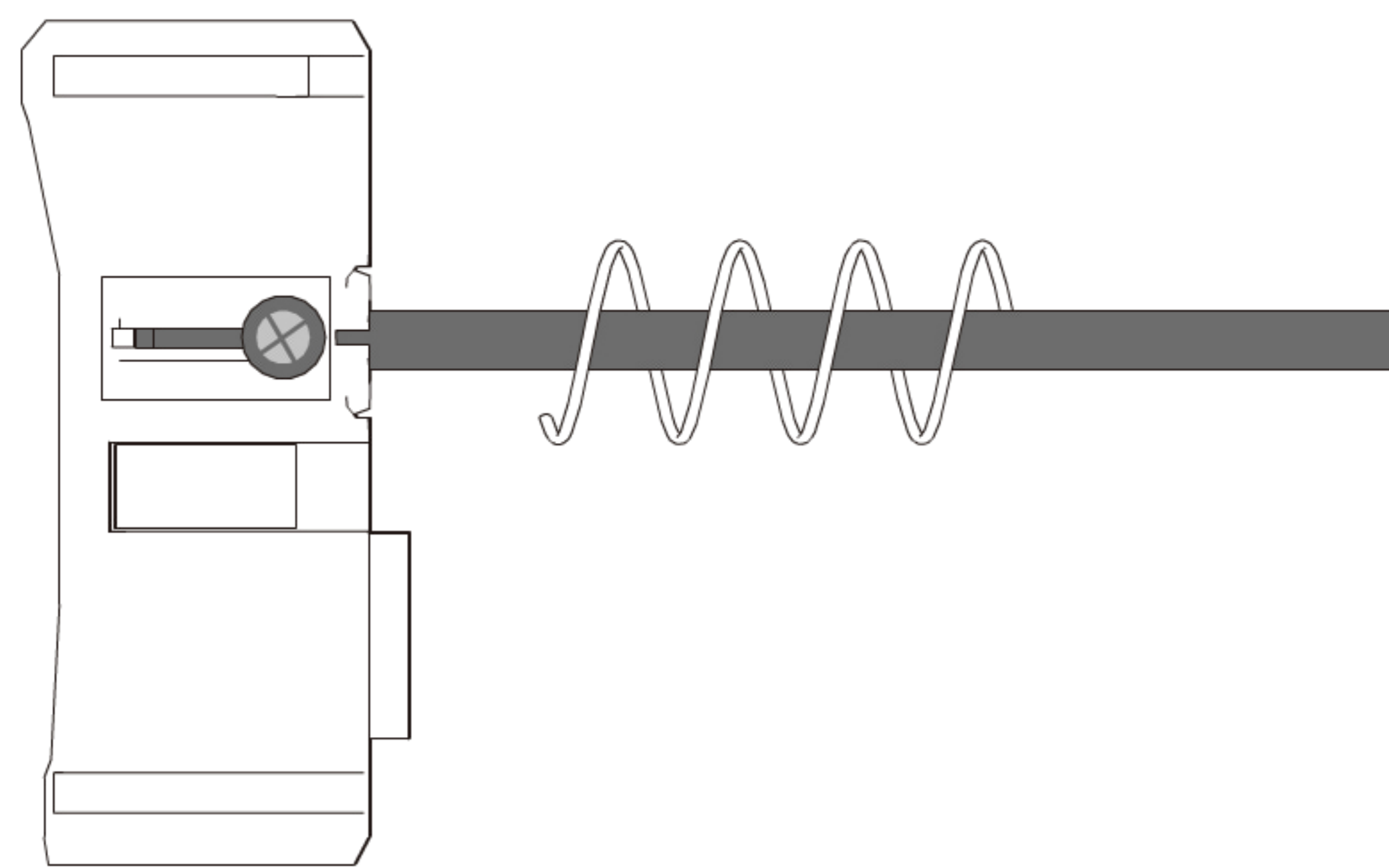
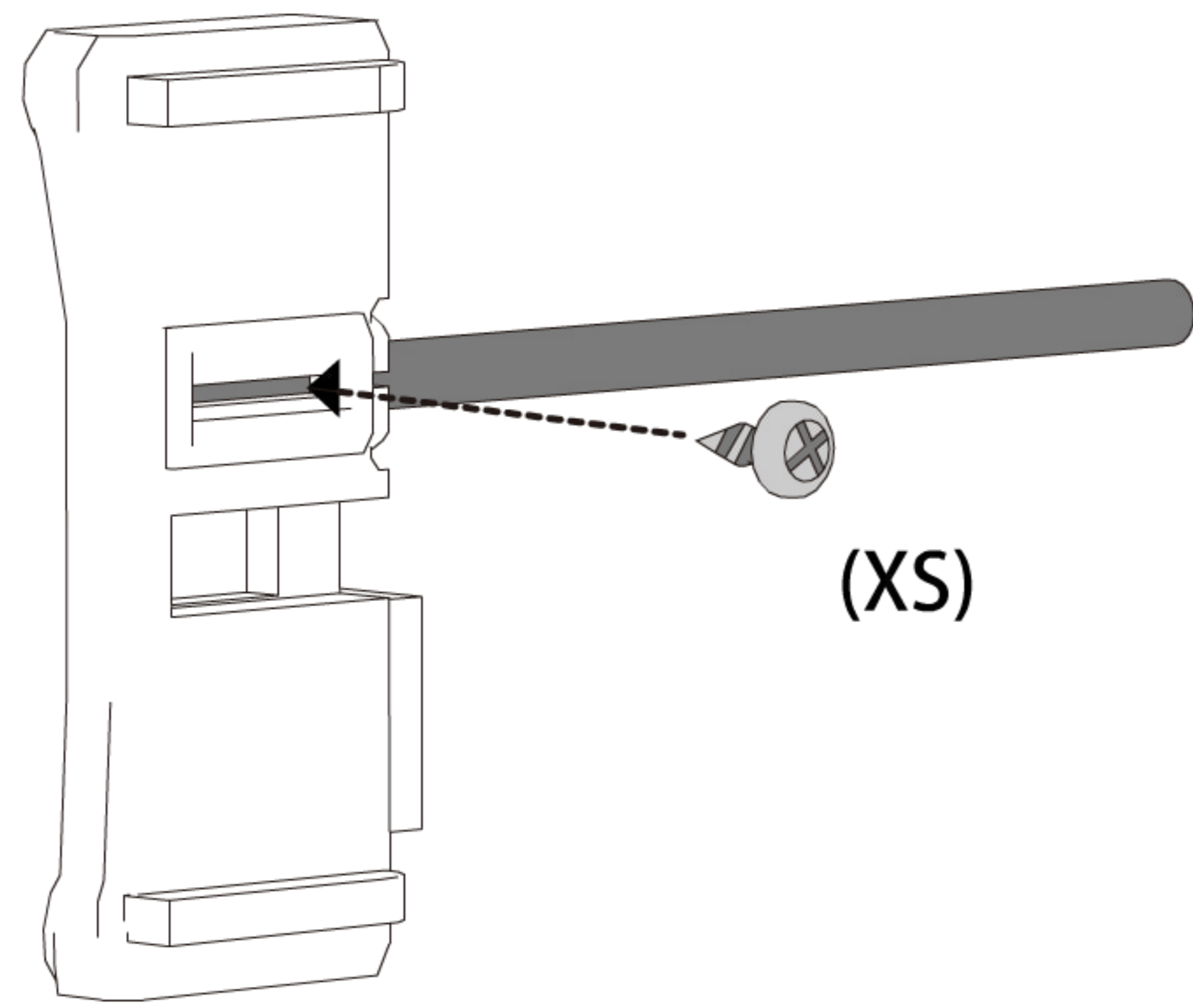
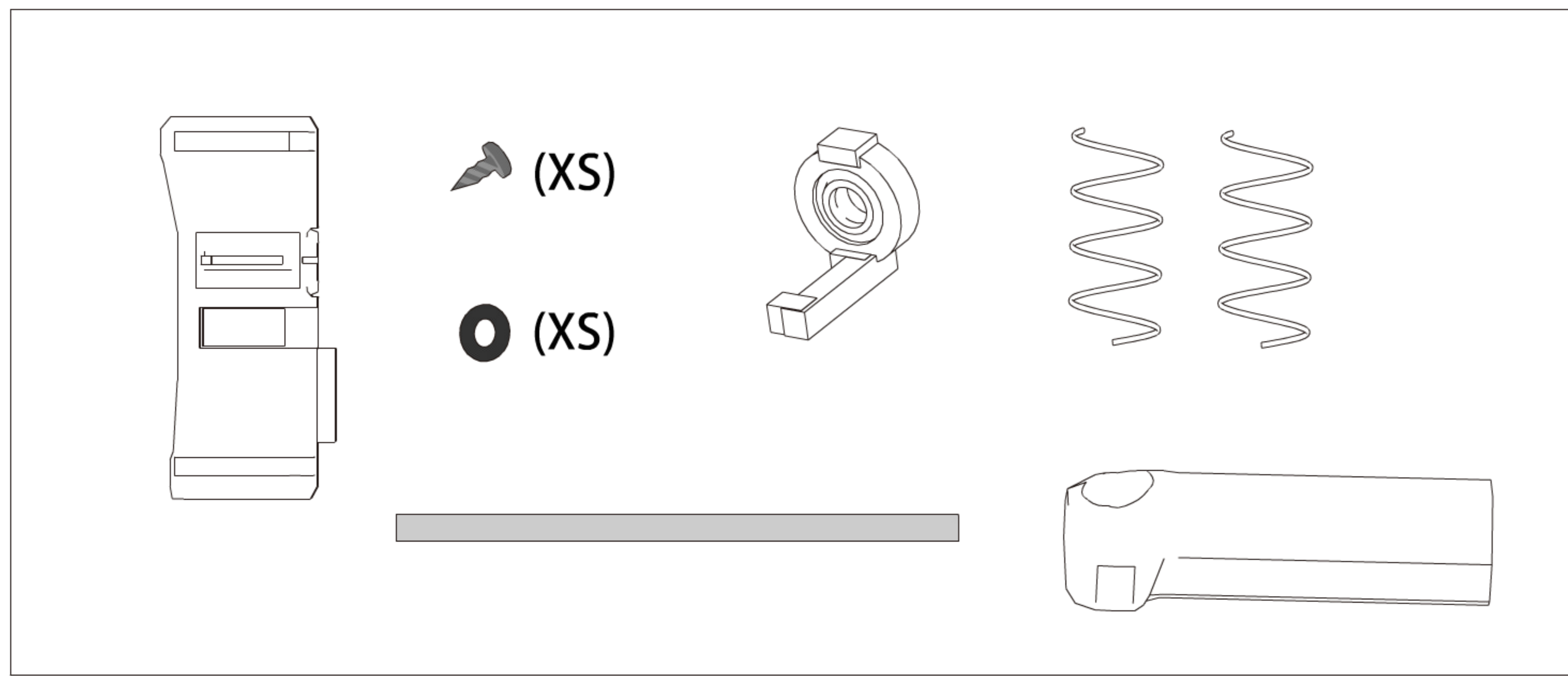


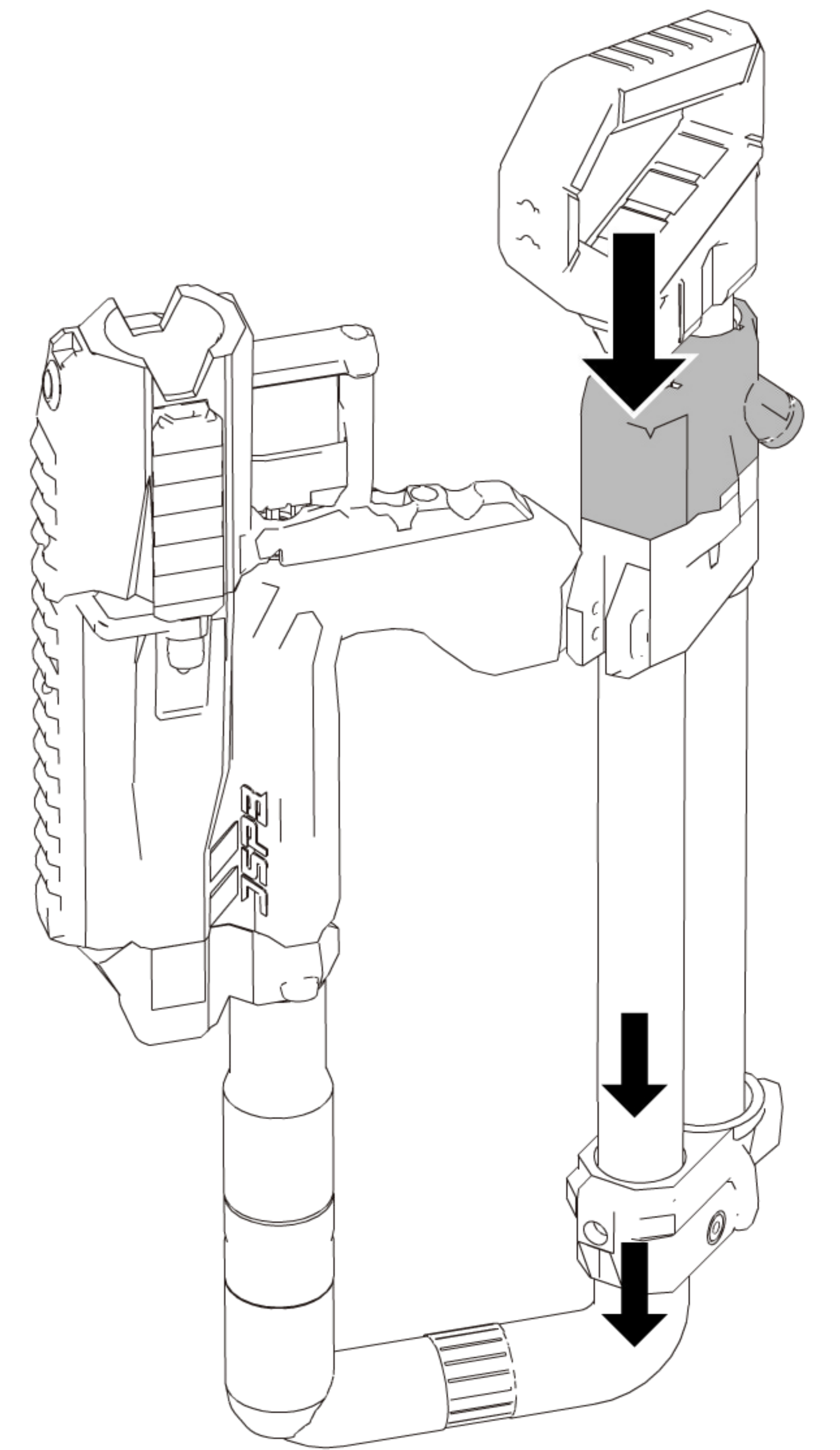
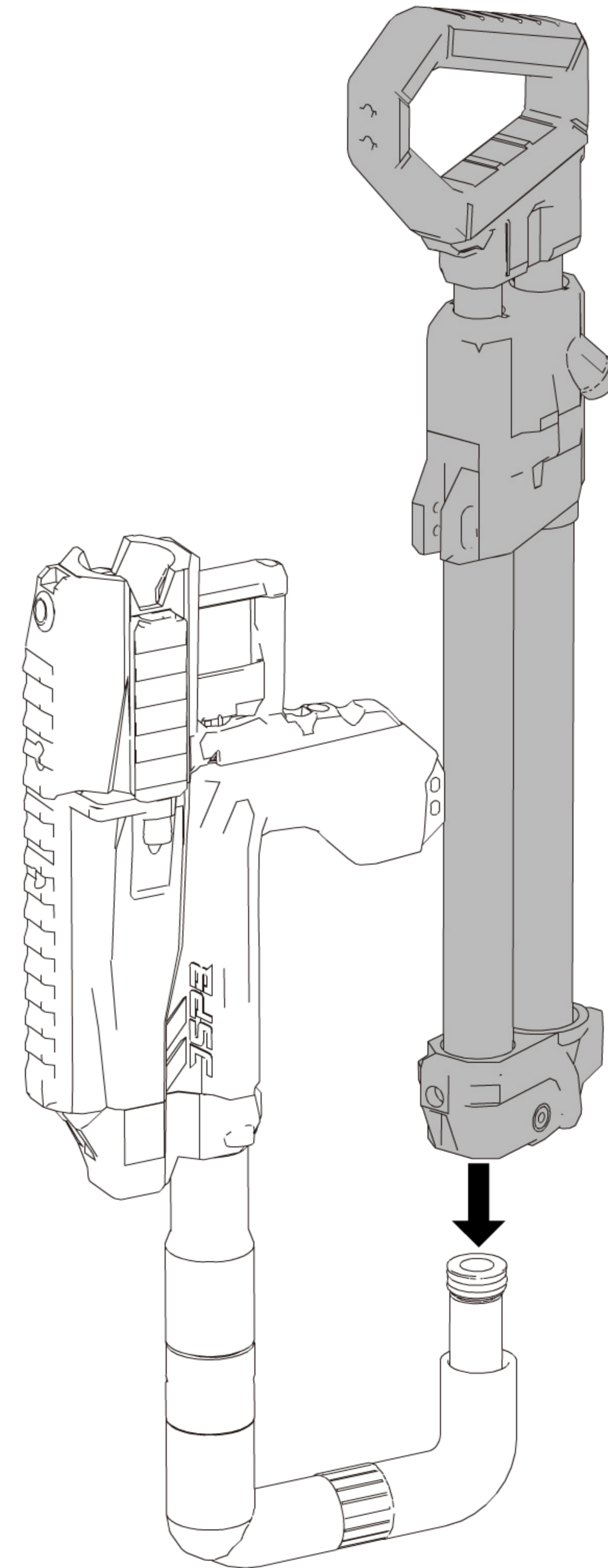
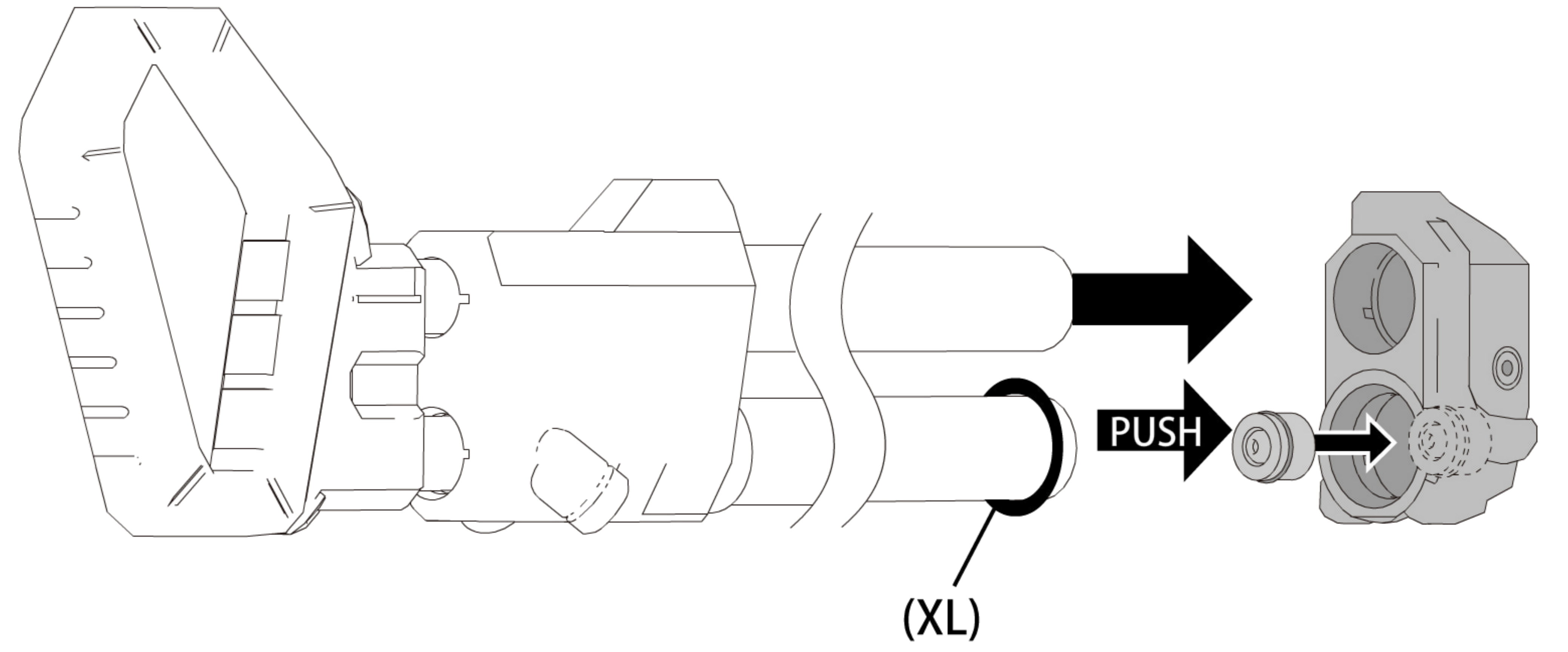
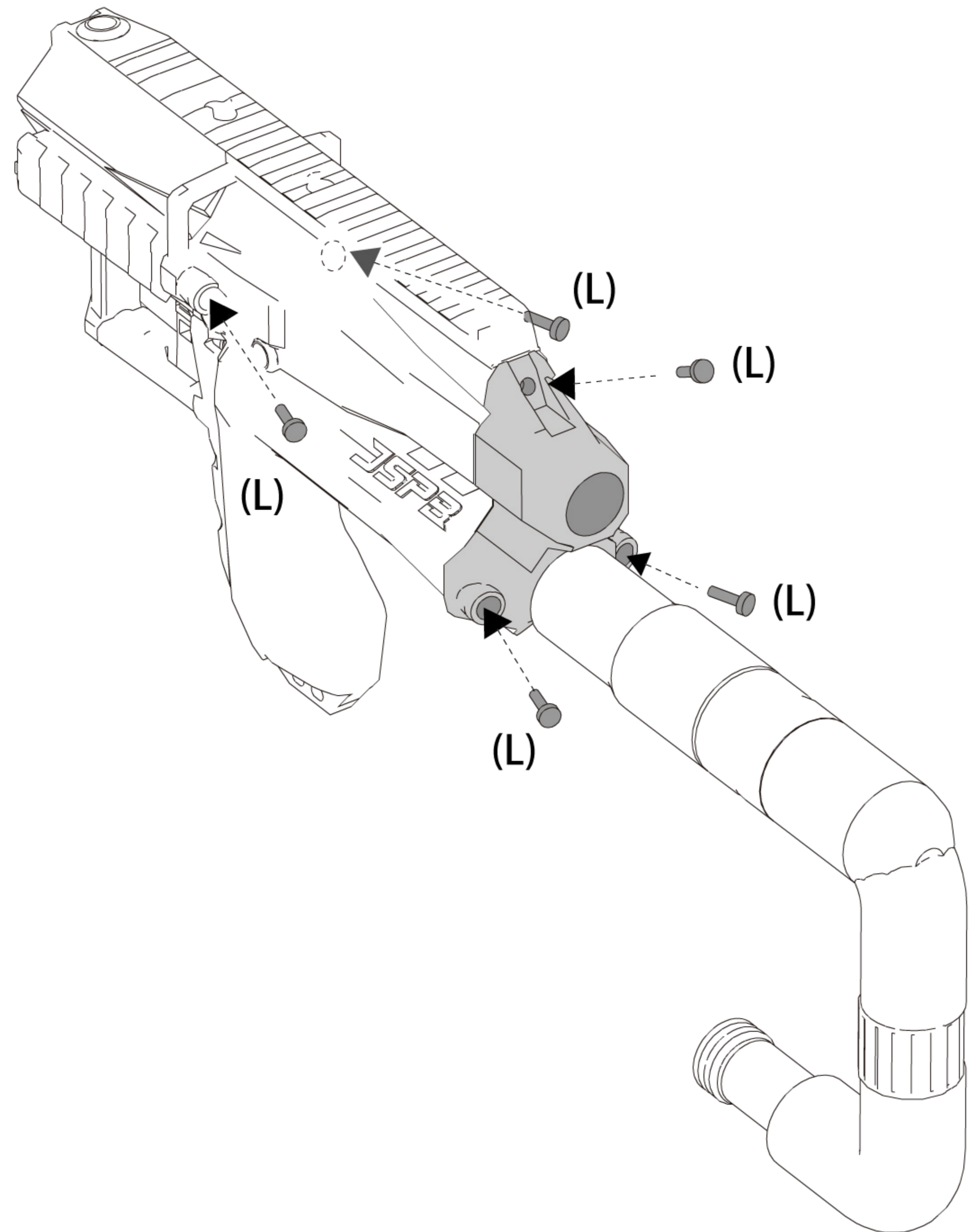
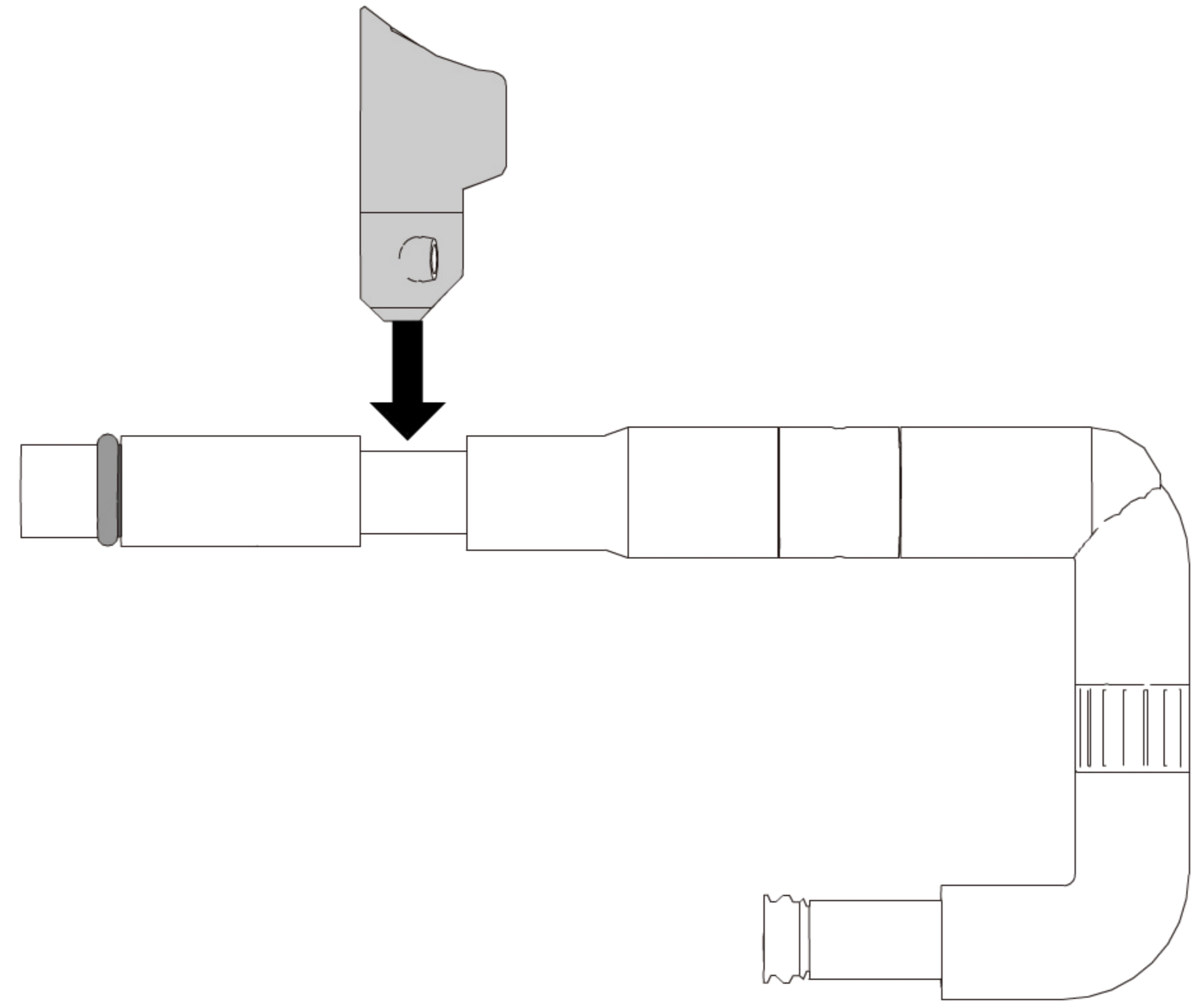
**NEXT>>**



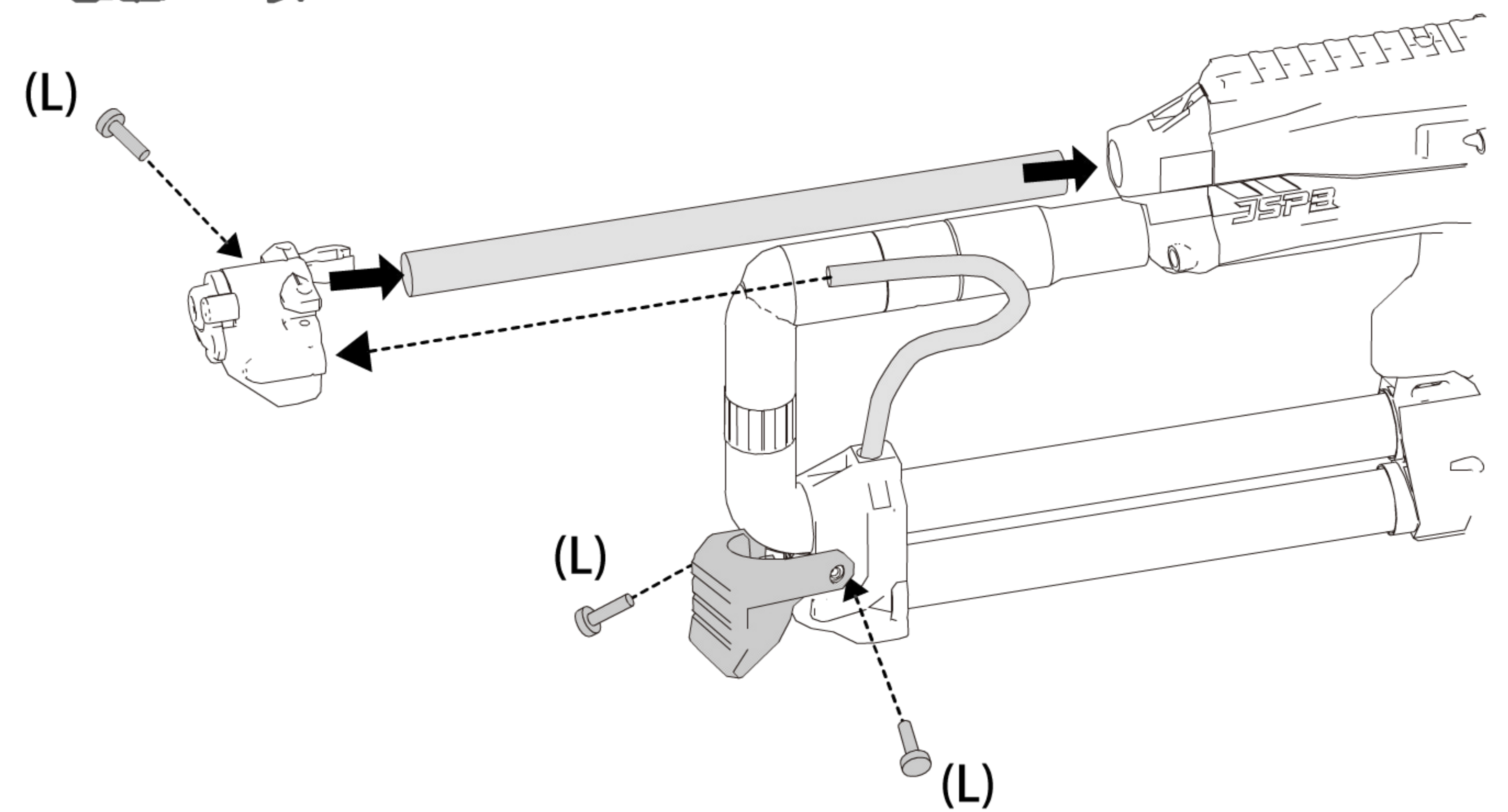
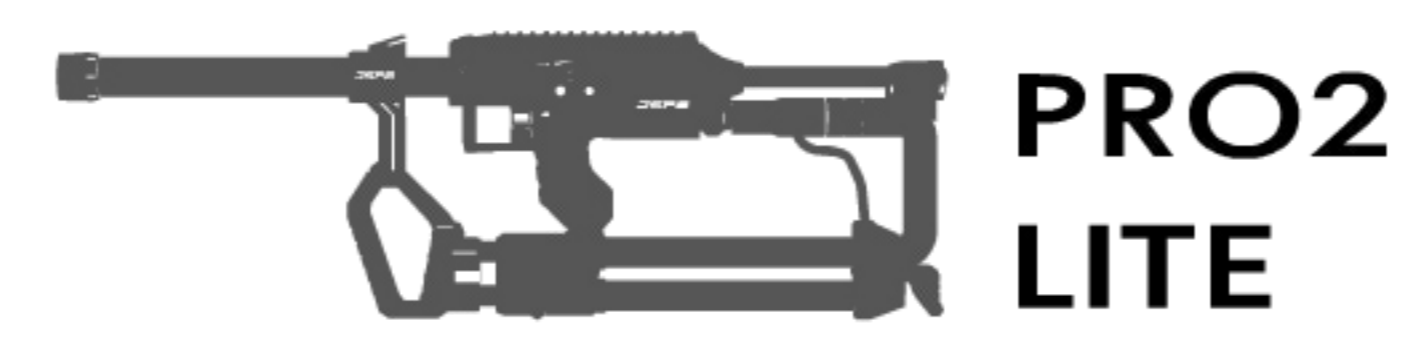
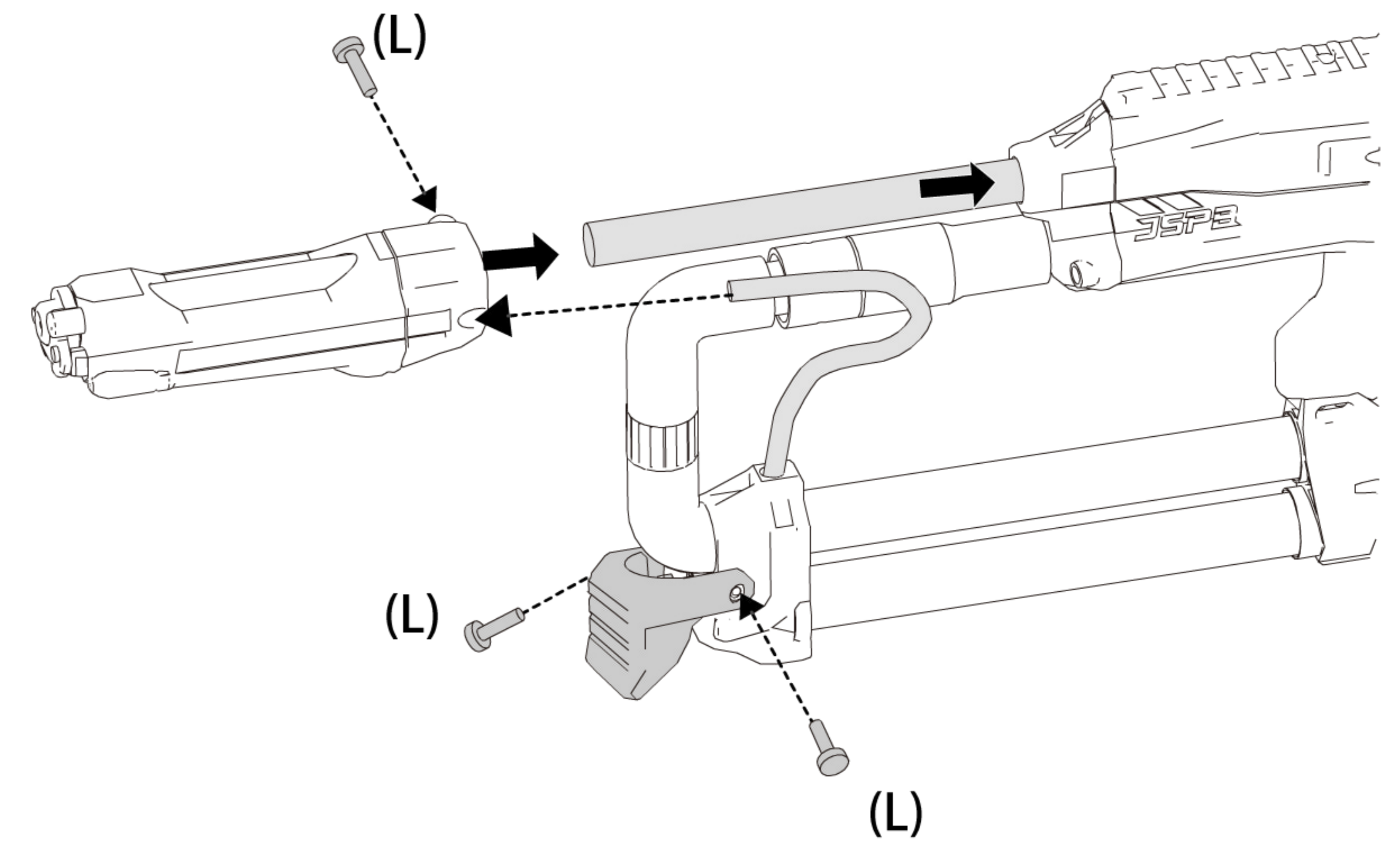
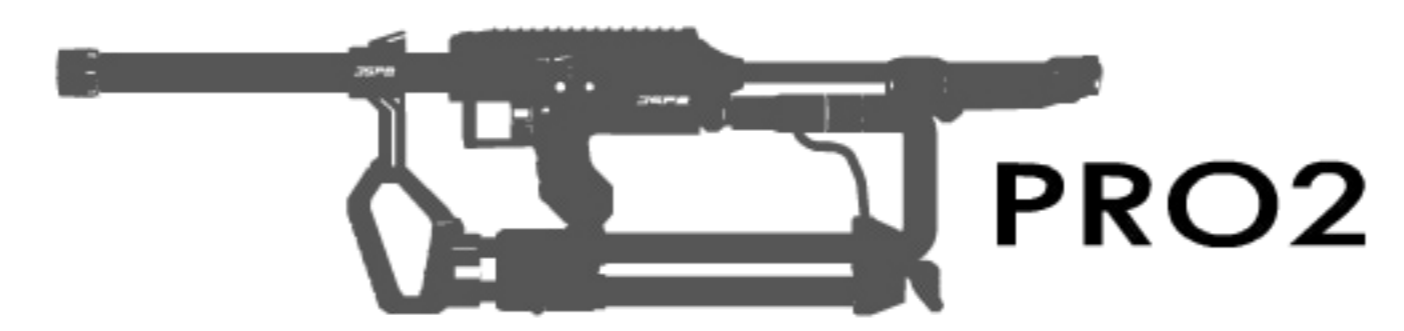
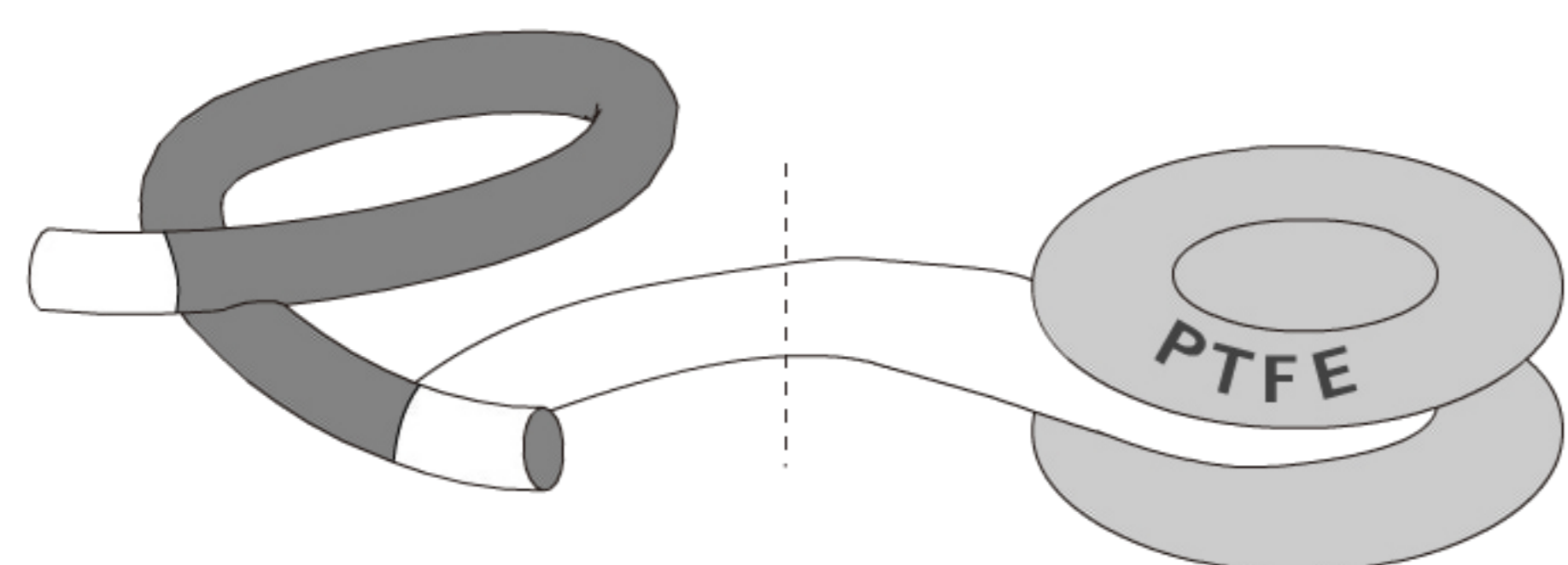
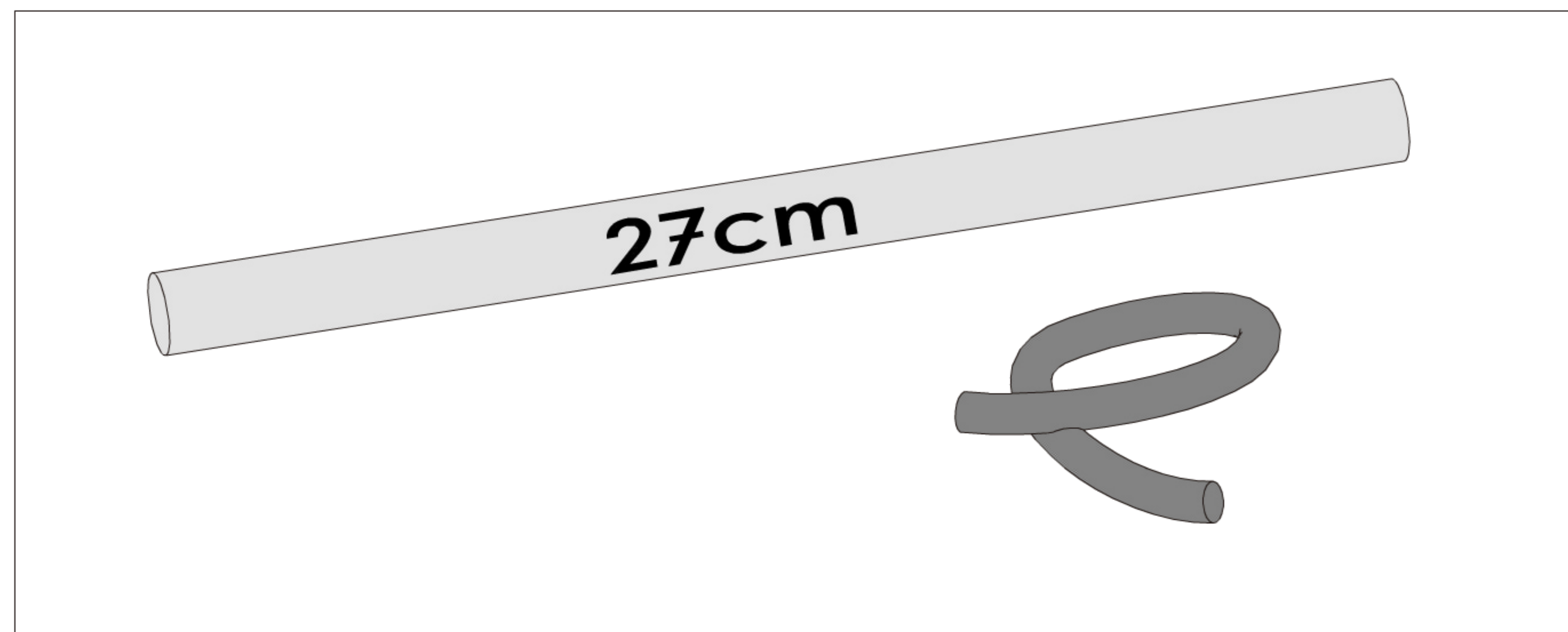
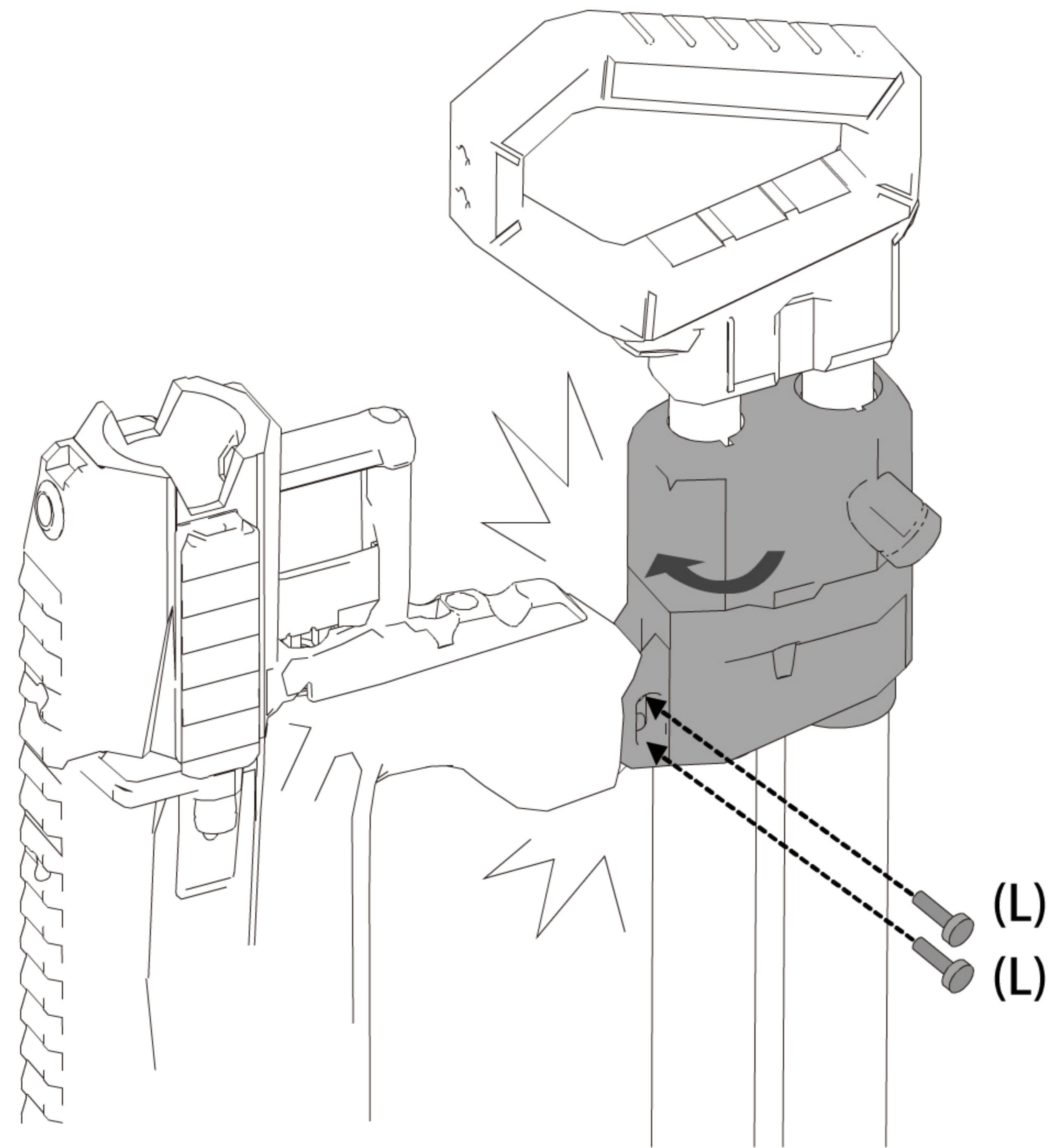
Glue  
接著劑

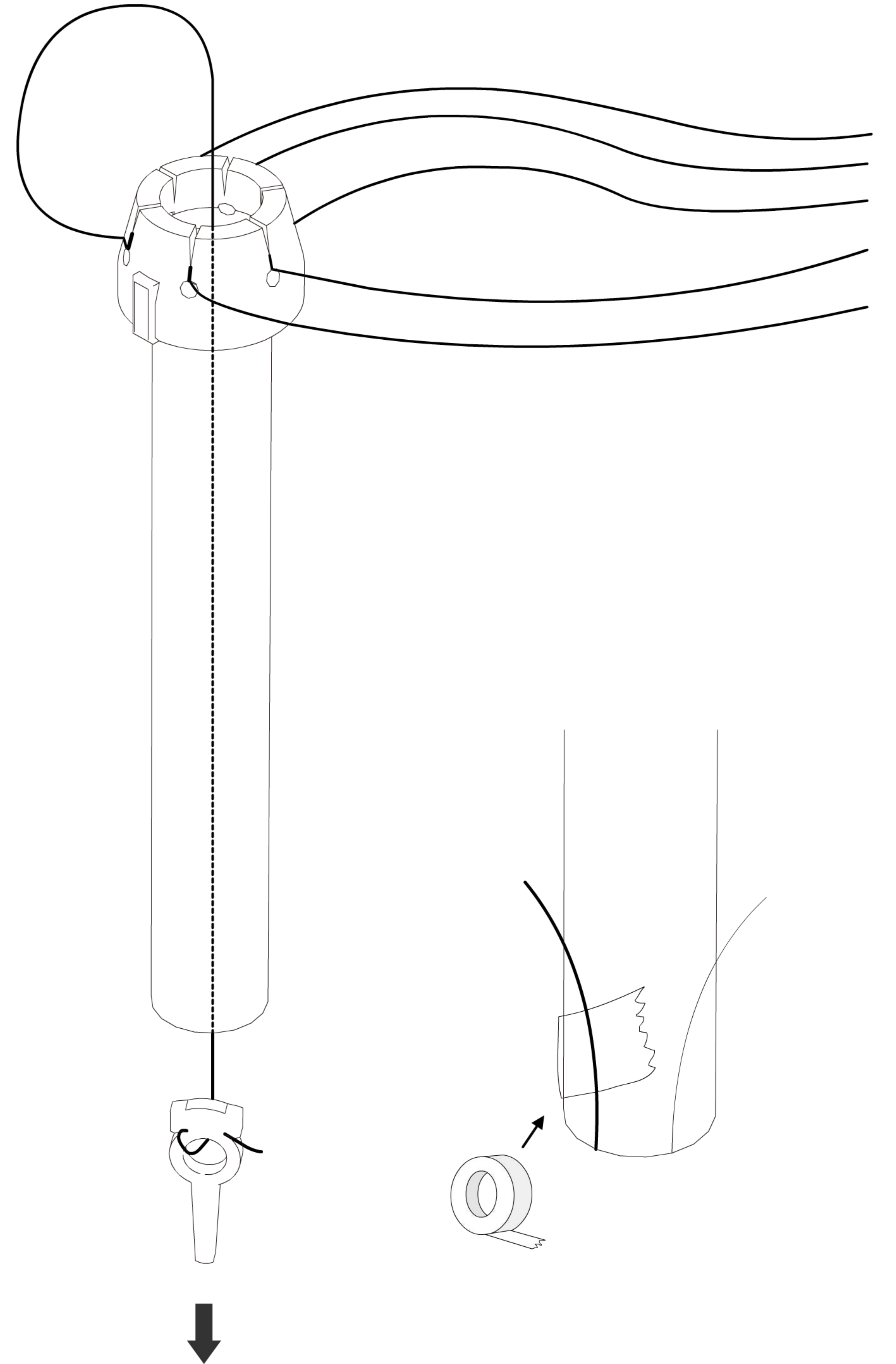
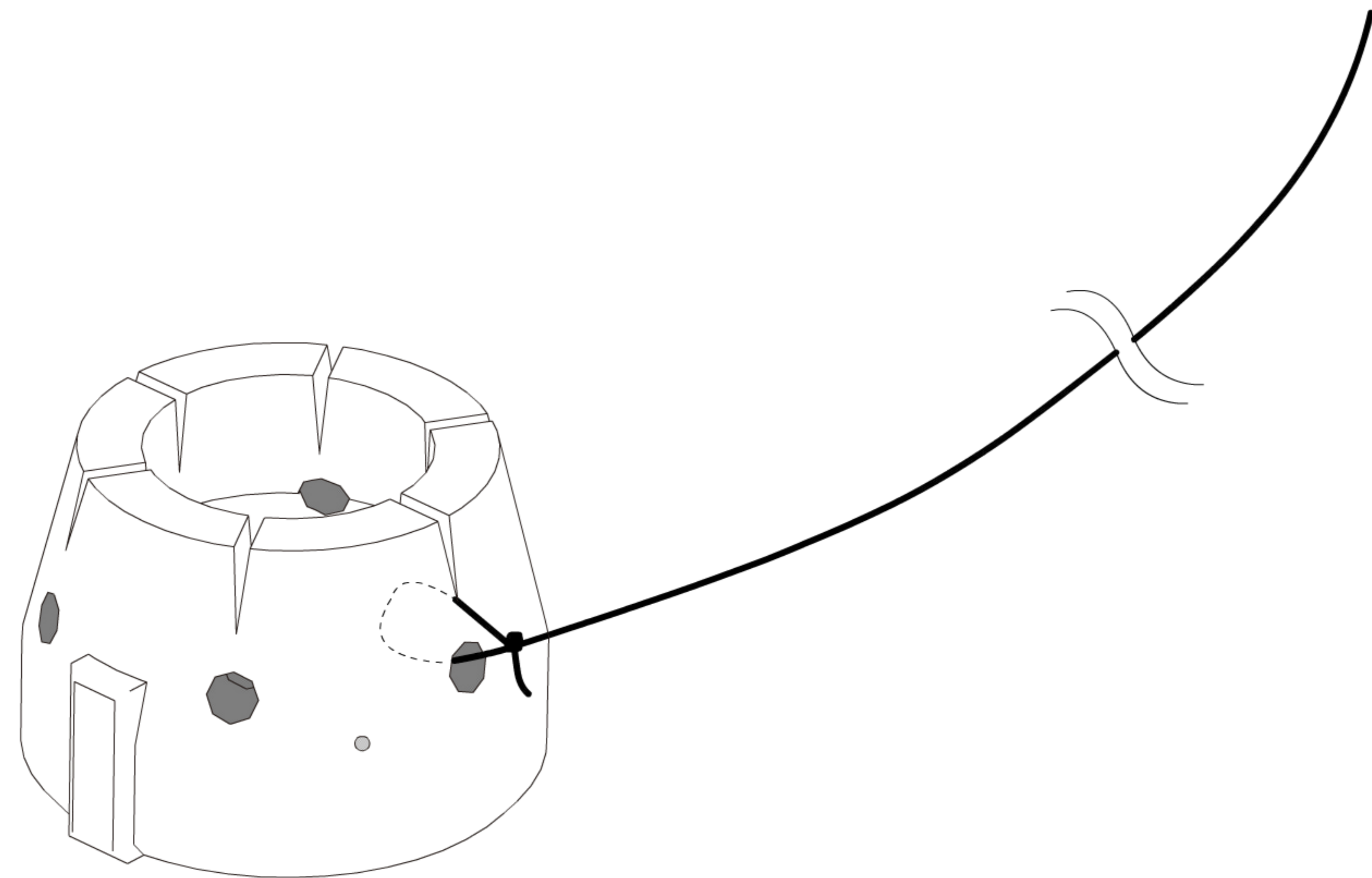
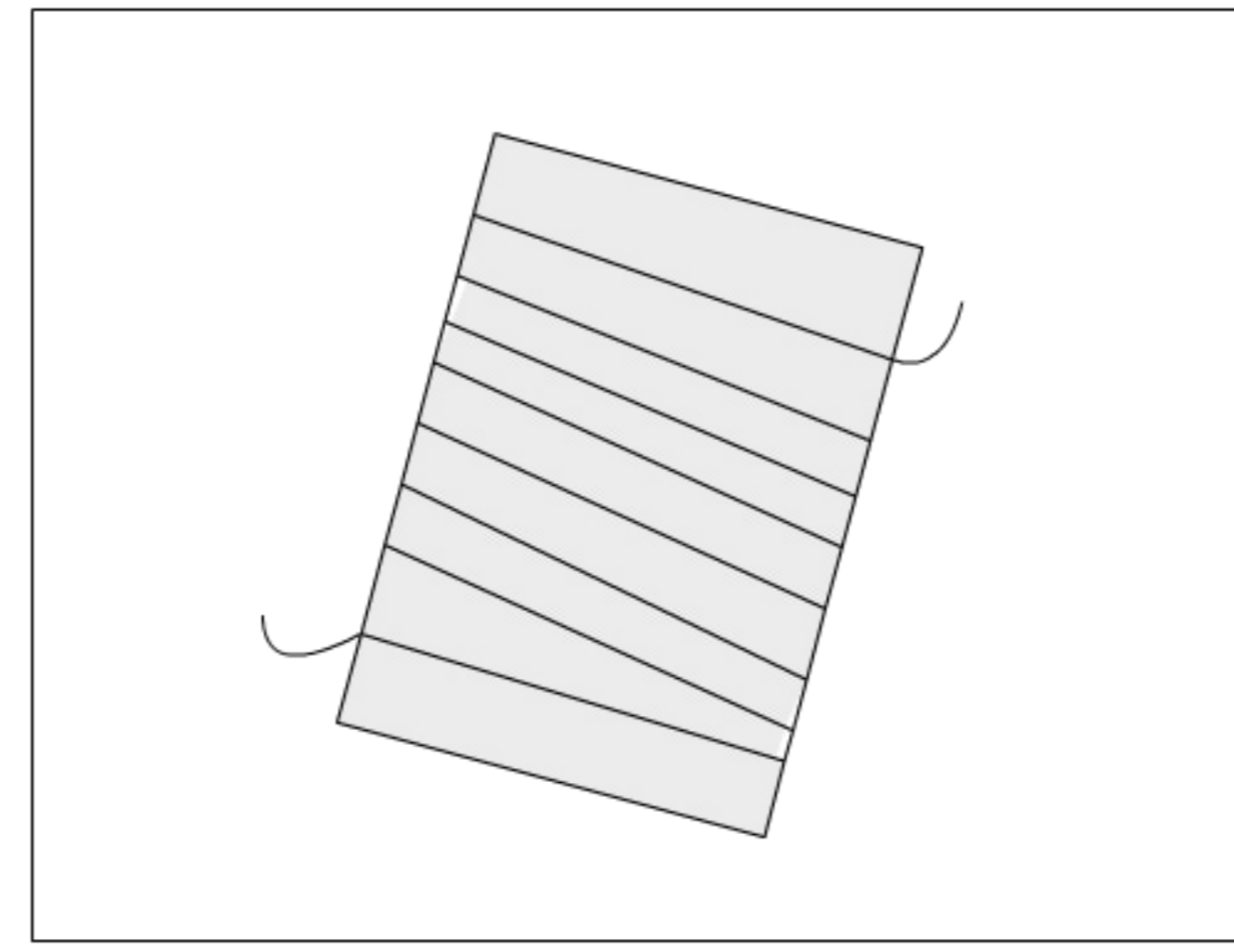
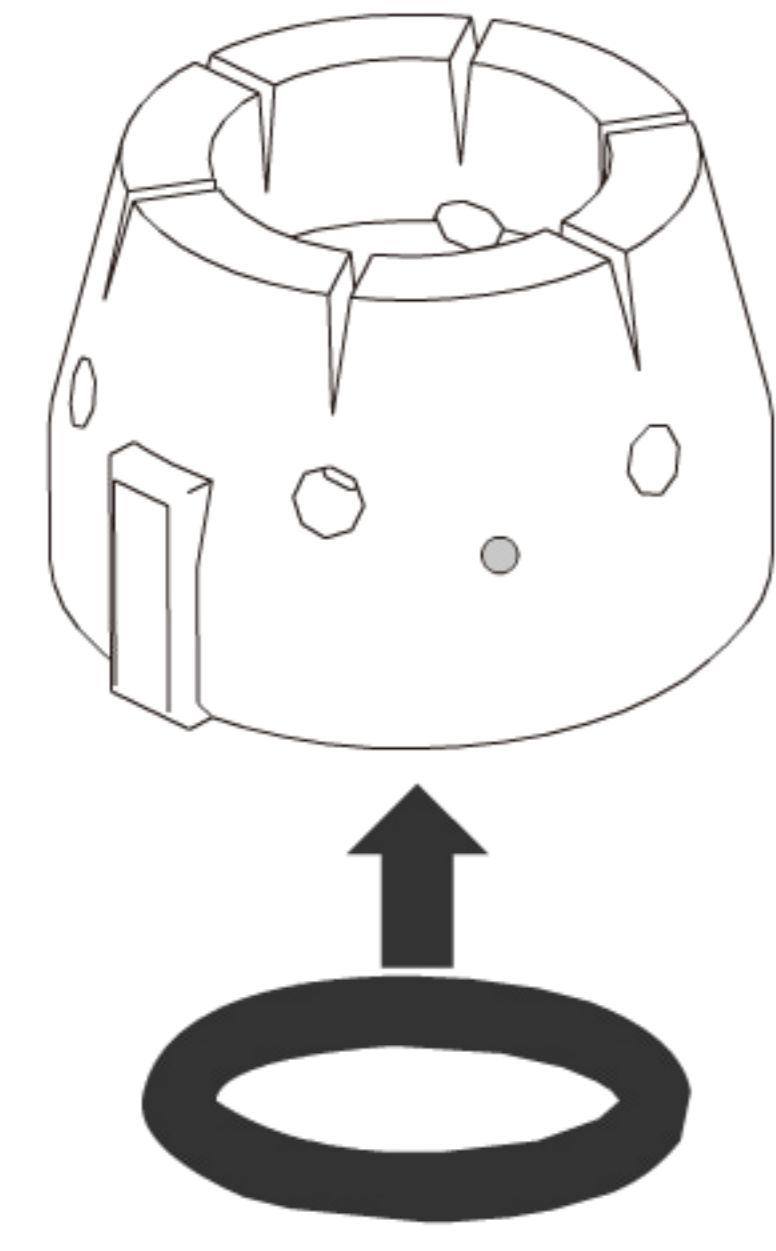
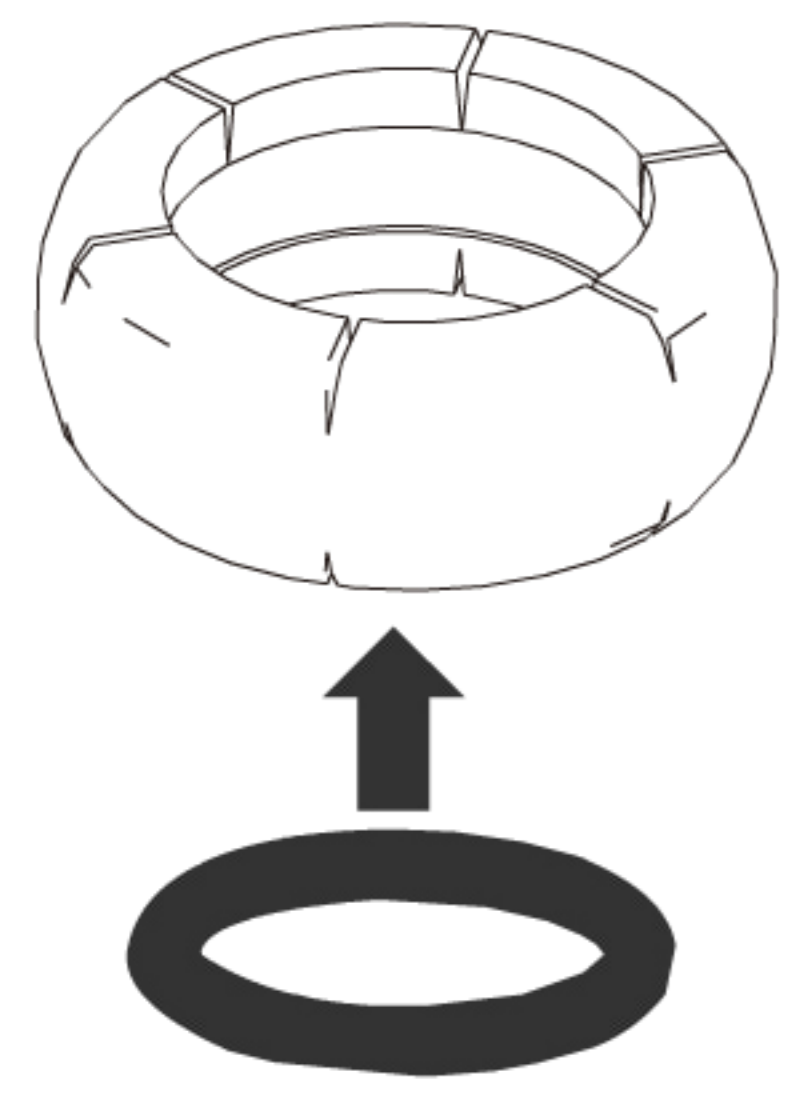
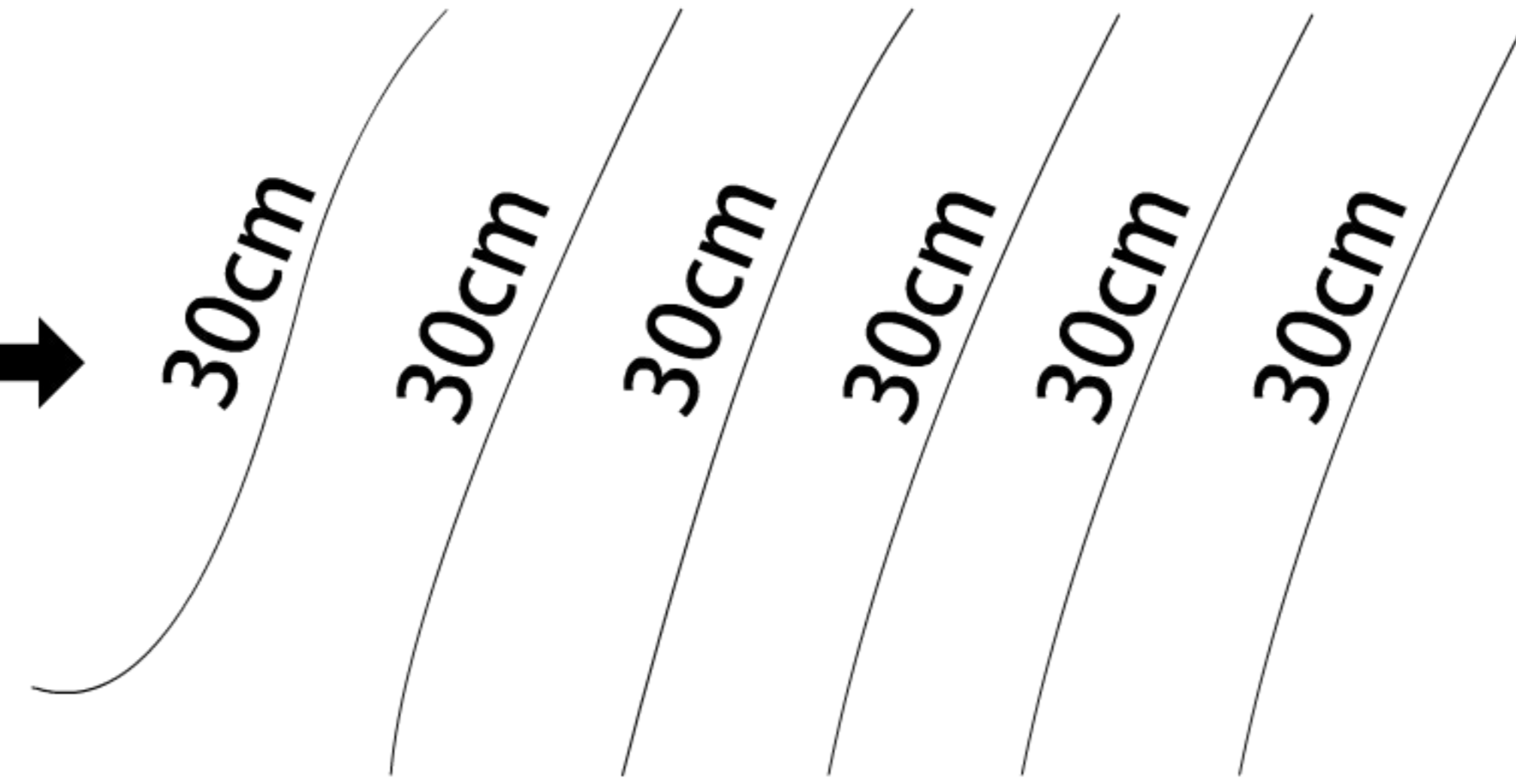
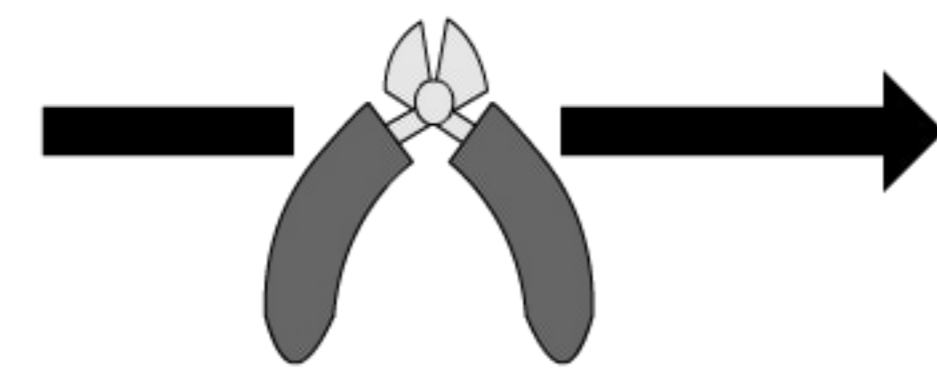
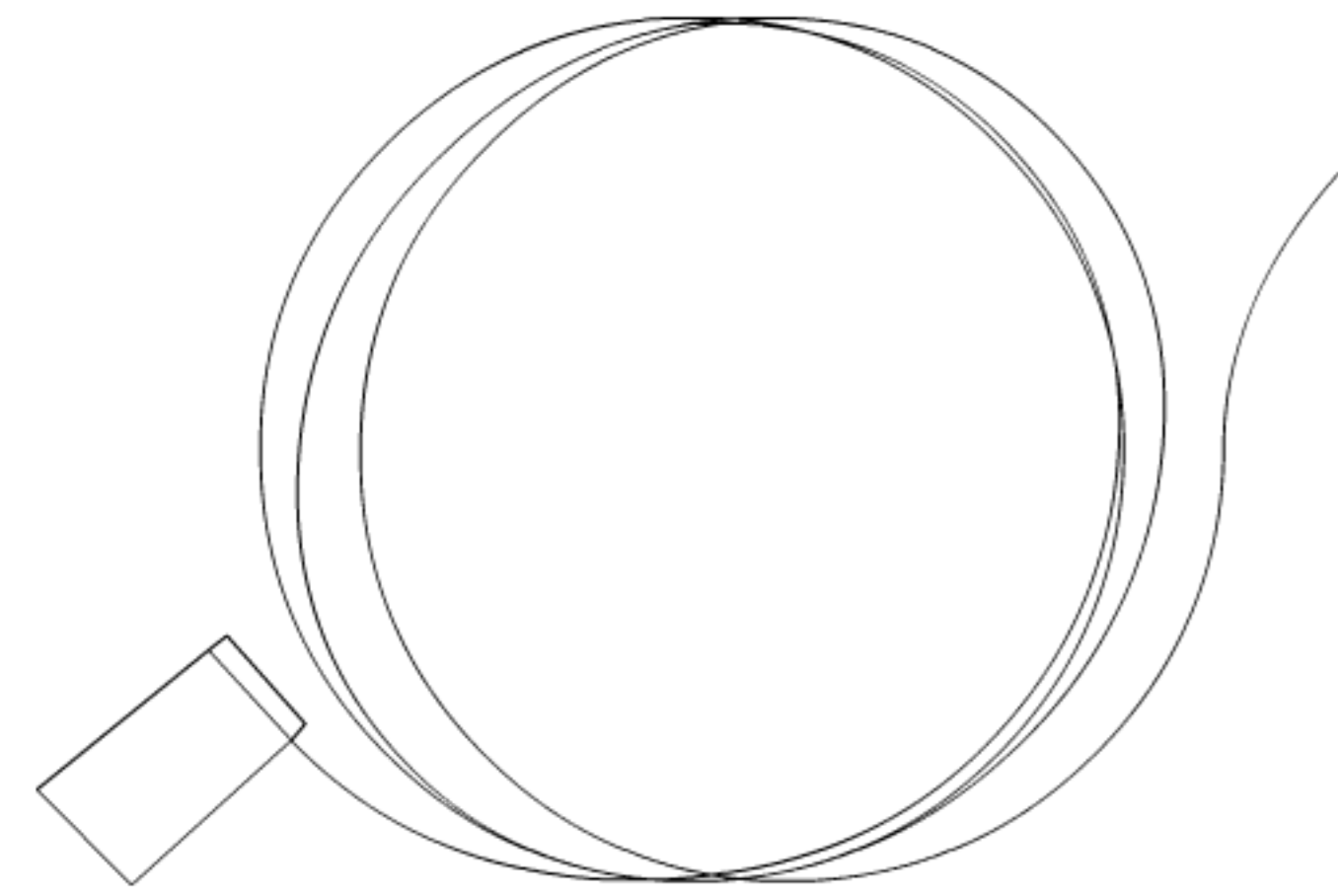


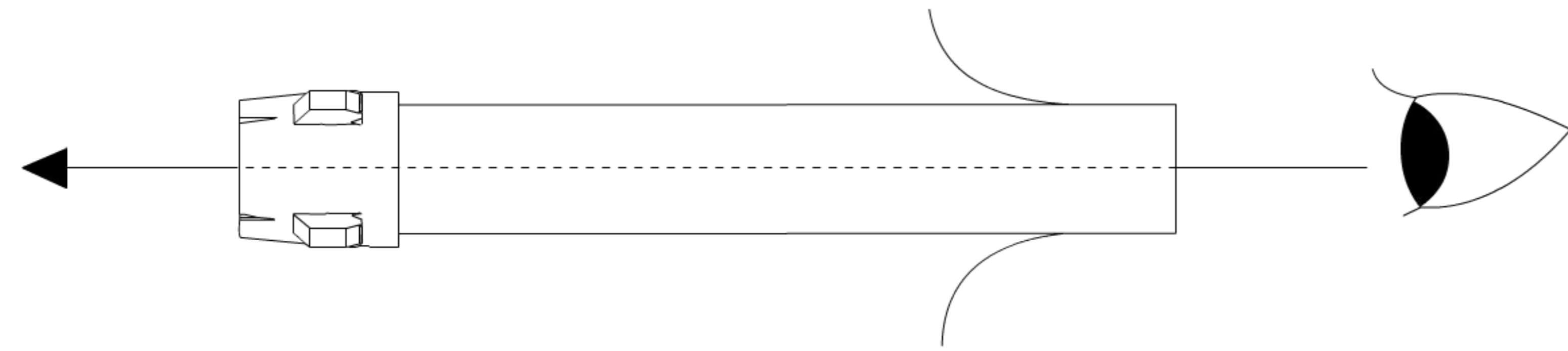




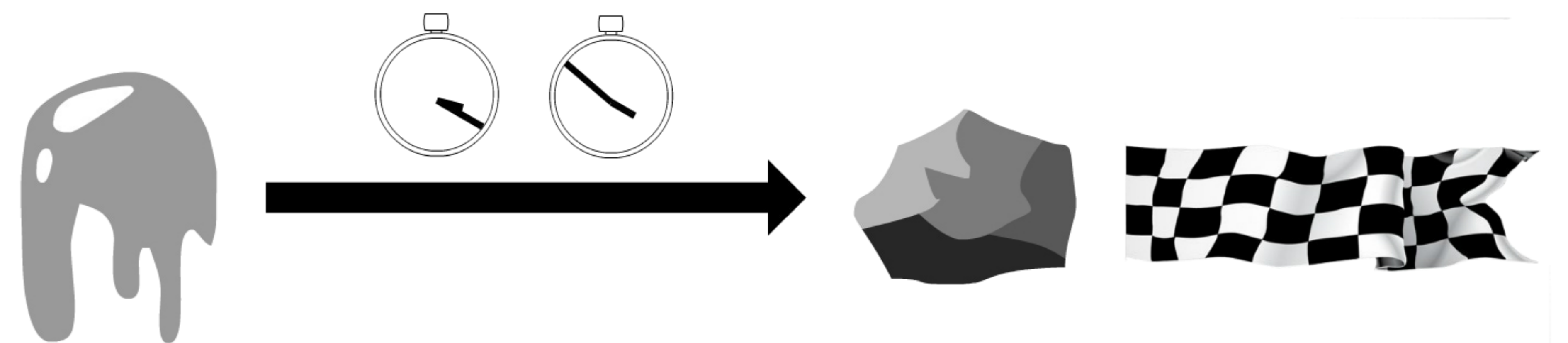
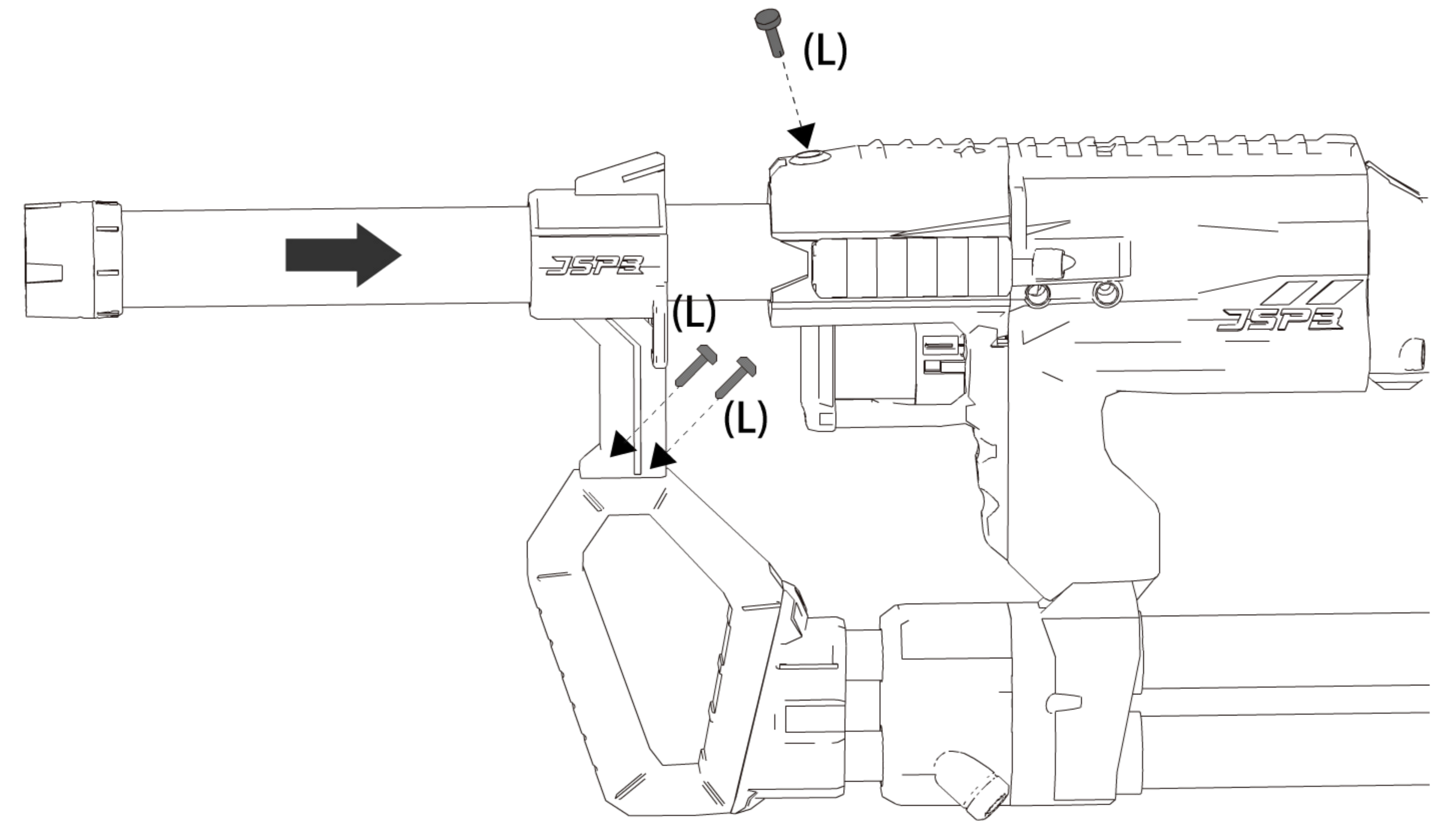
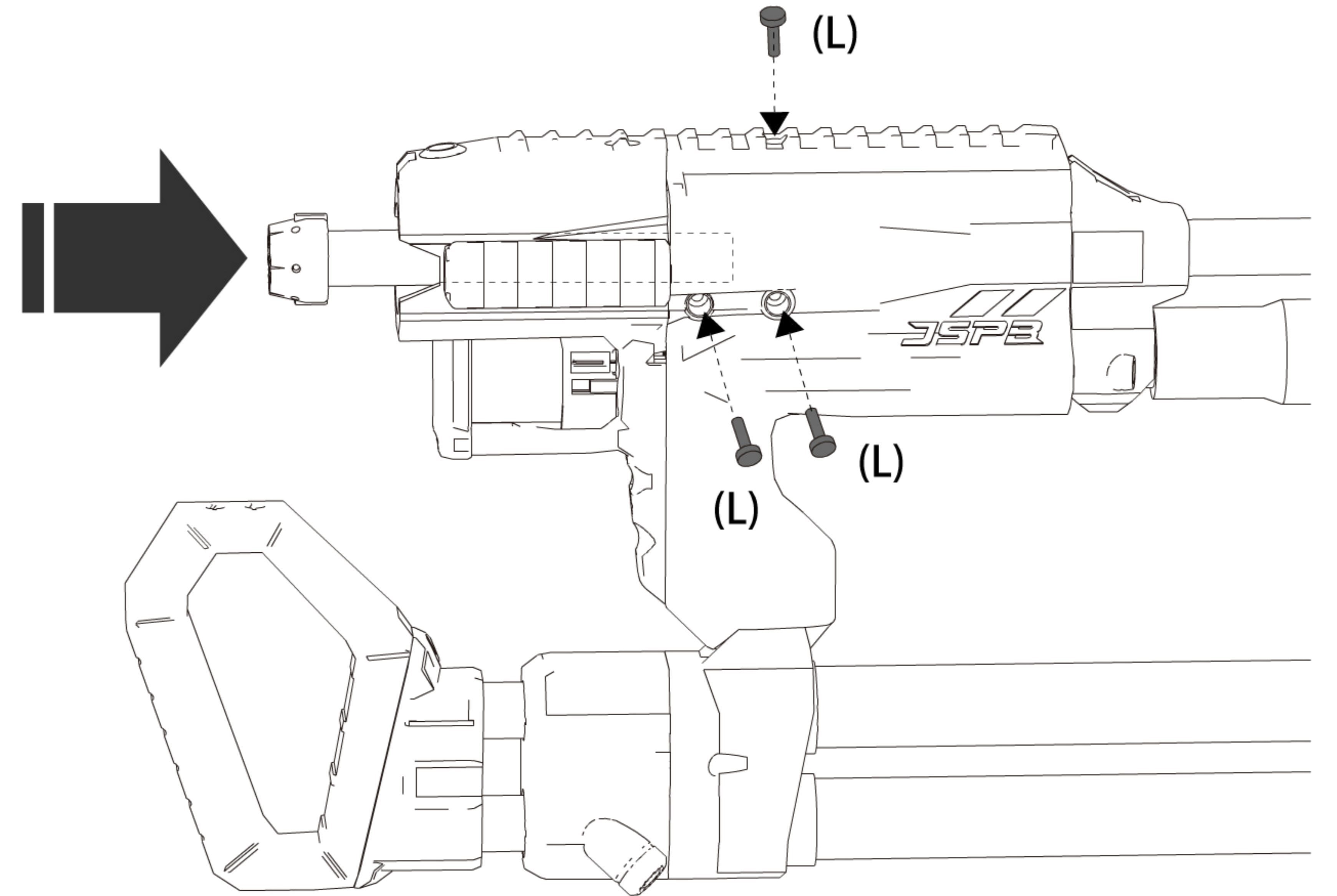
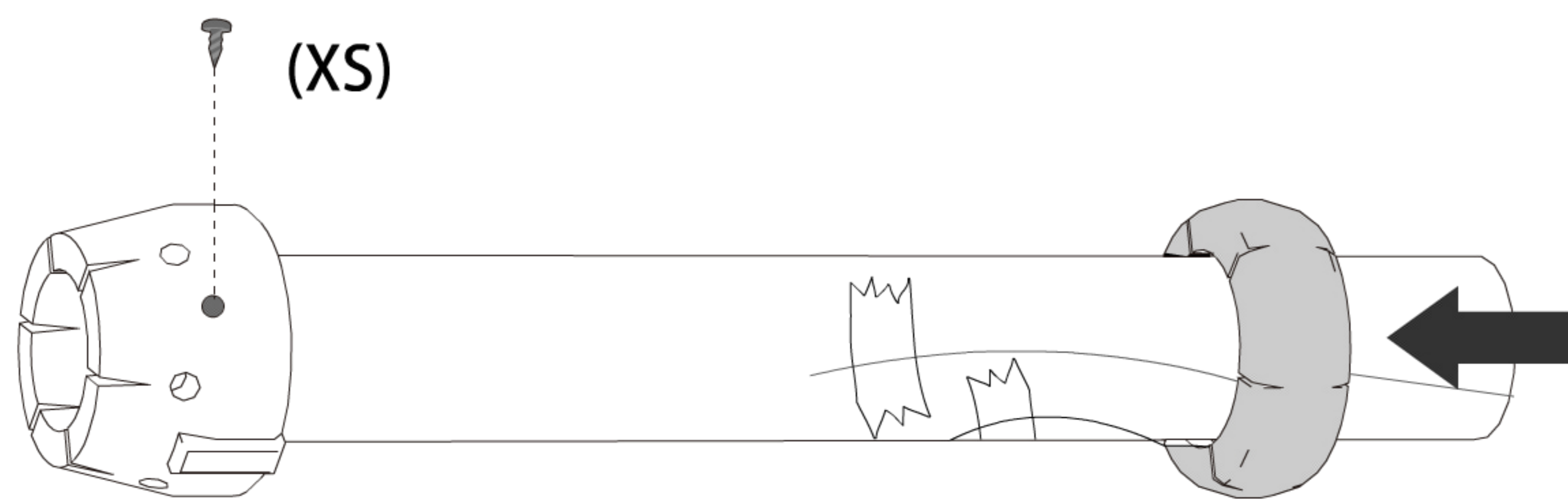
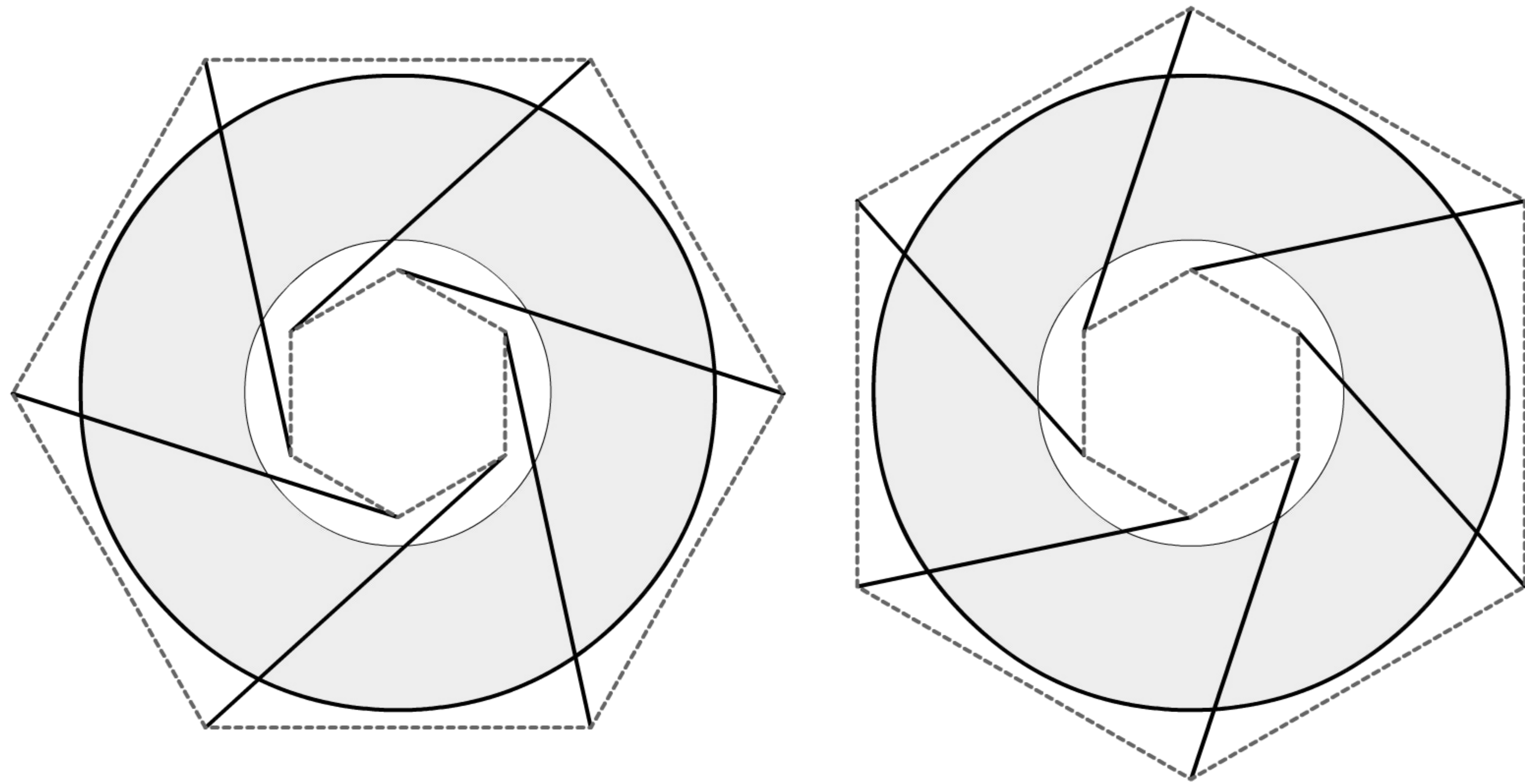






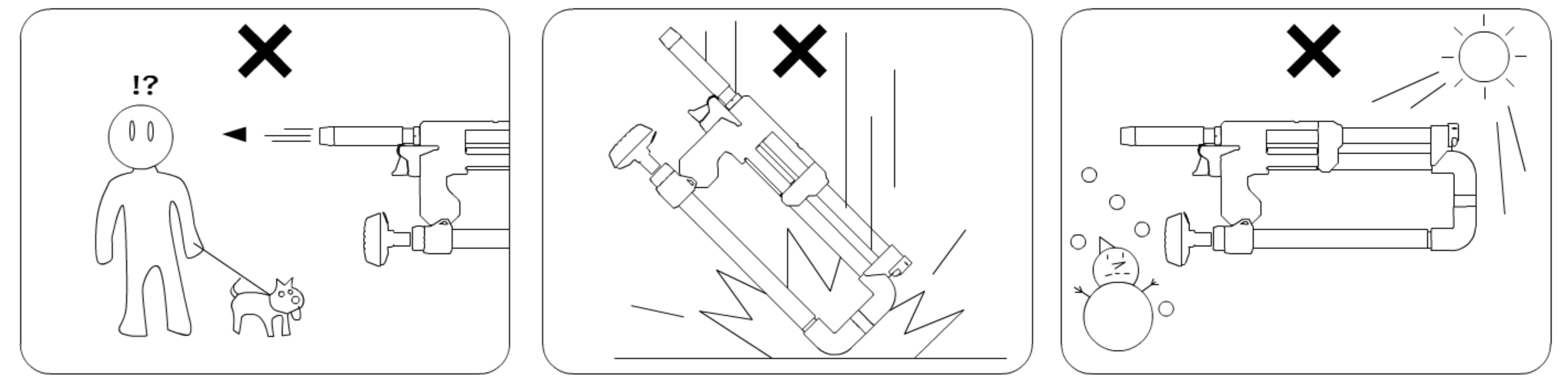
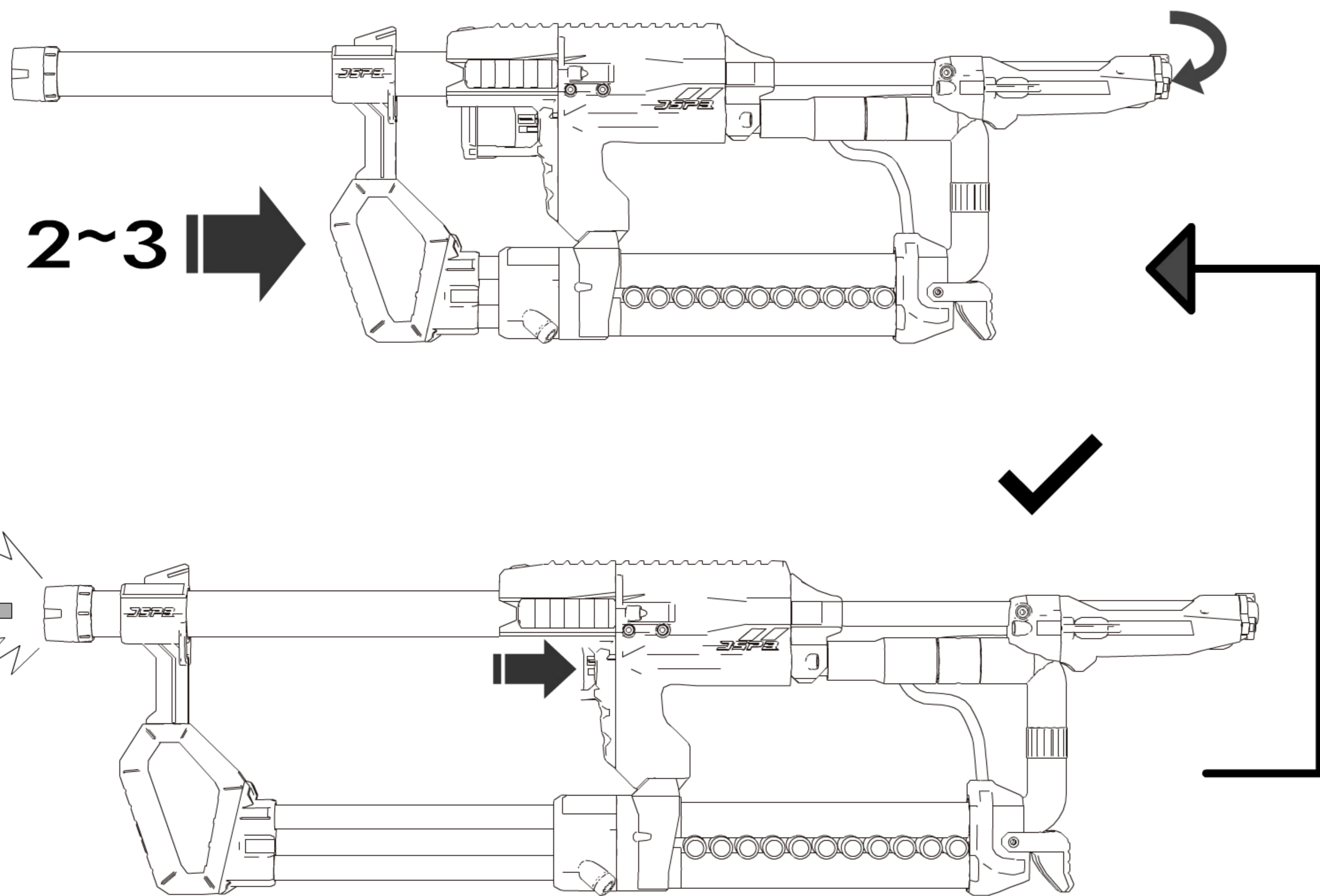
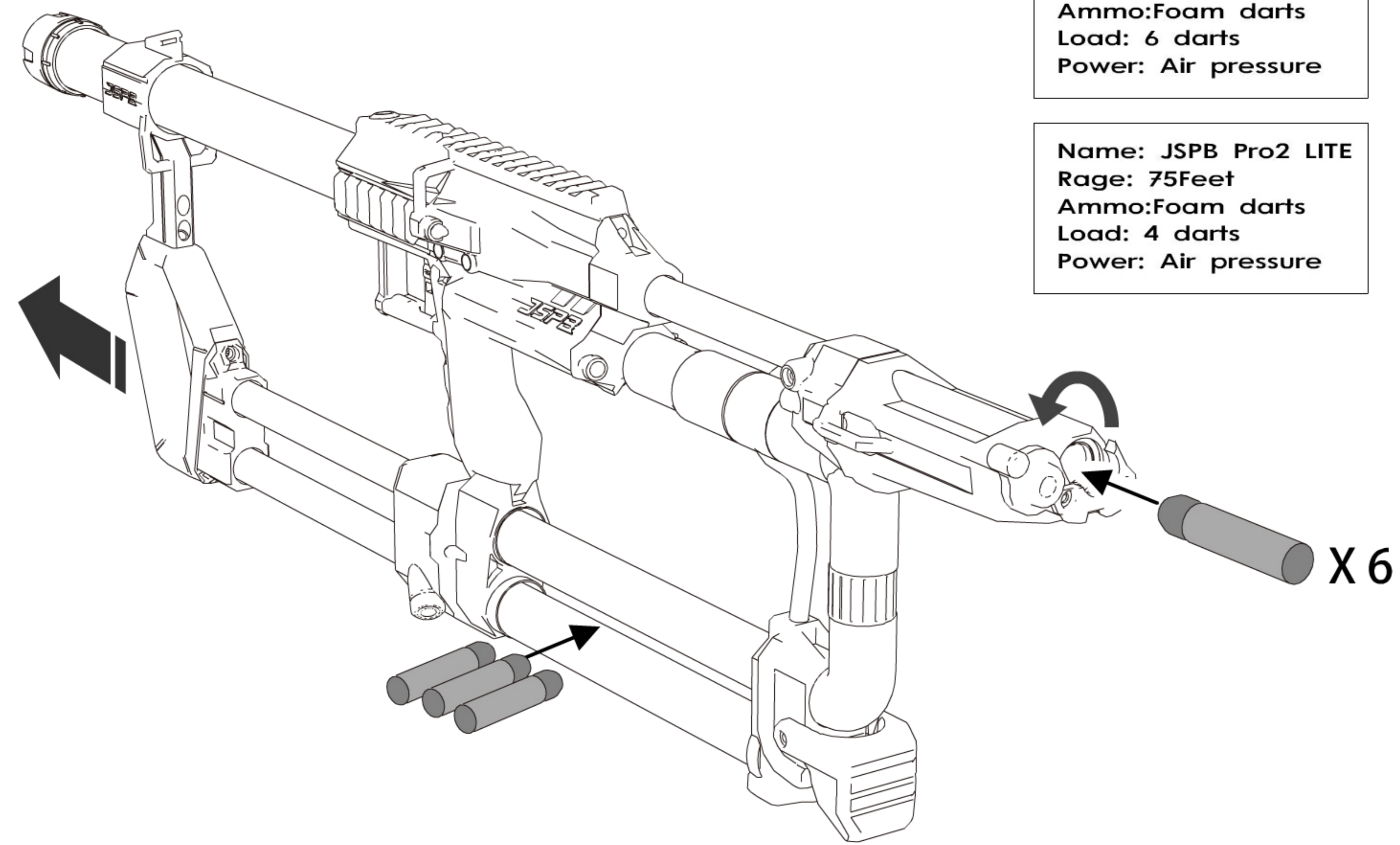


# zlin-Rifling

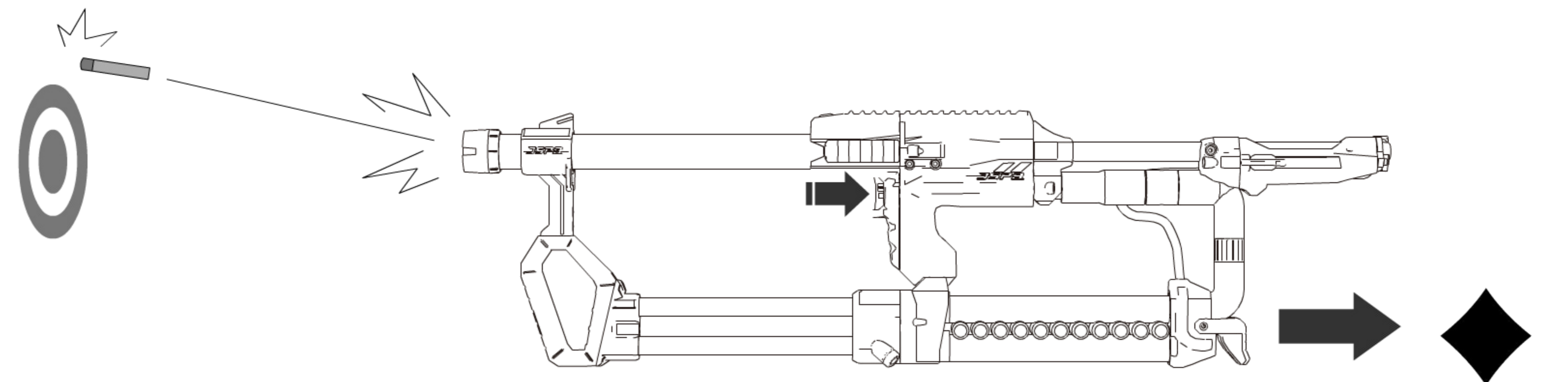
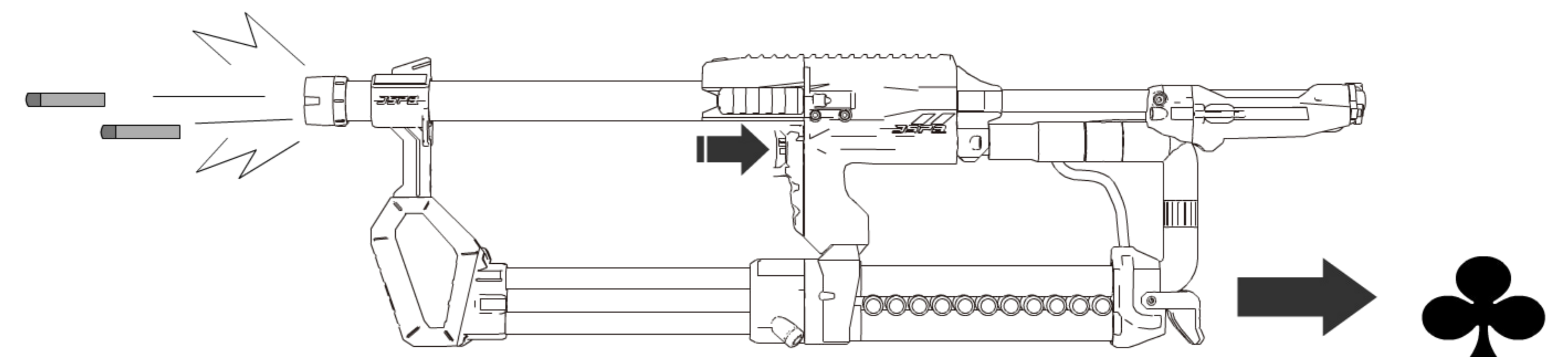
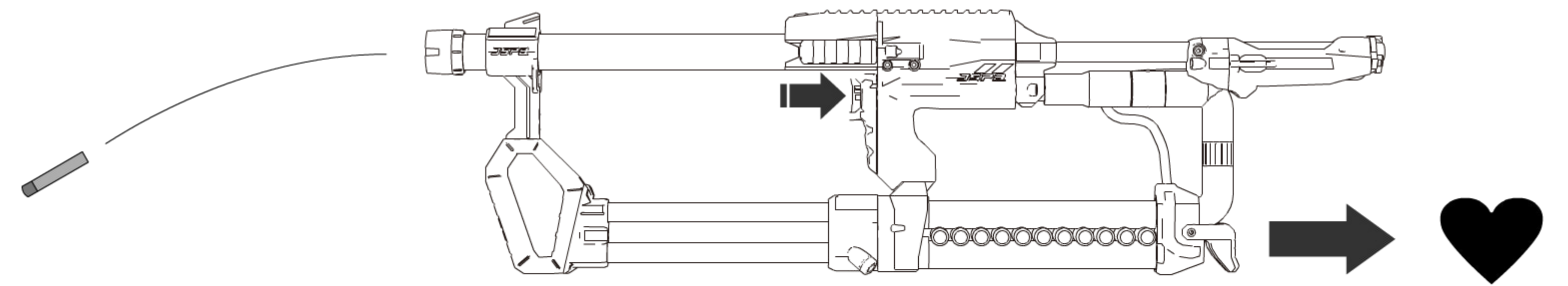
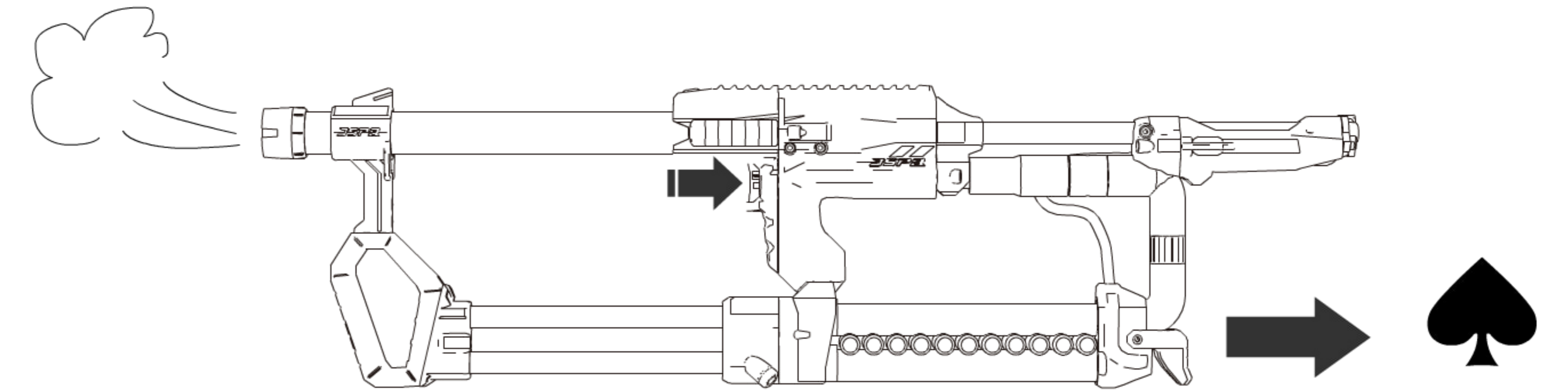


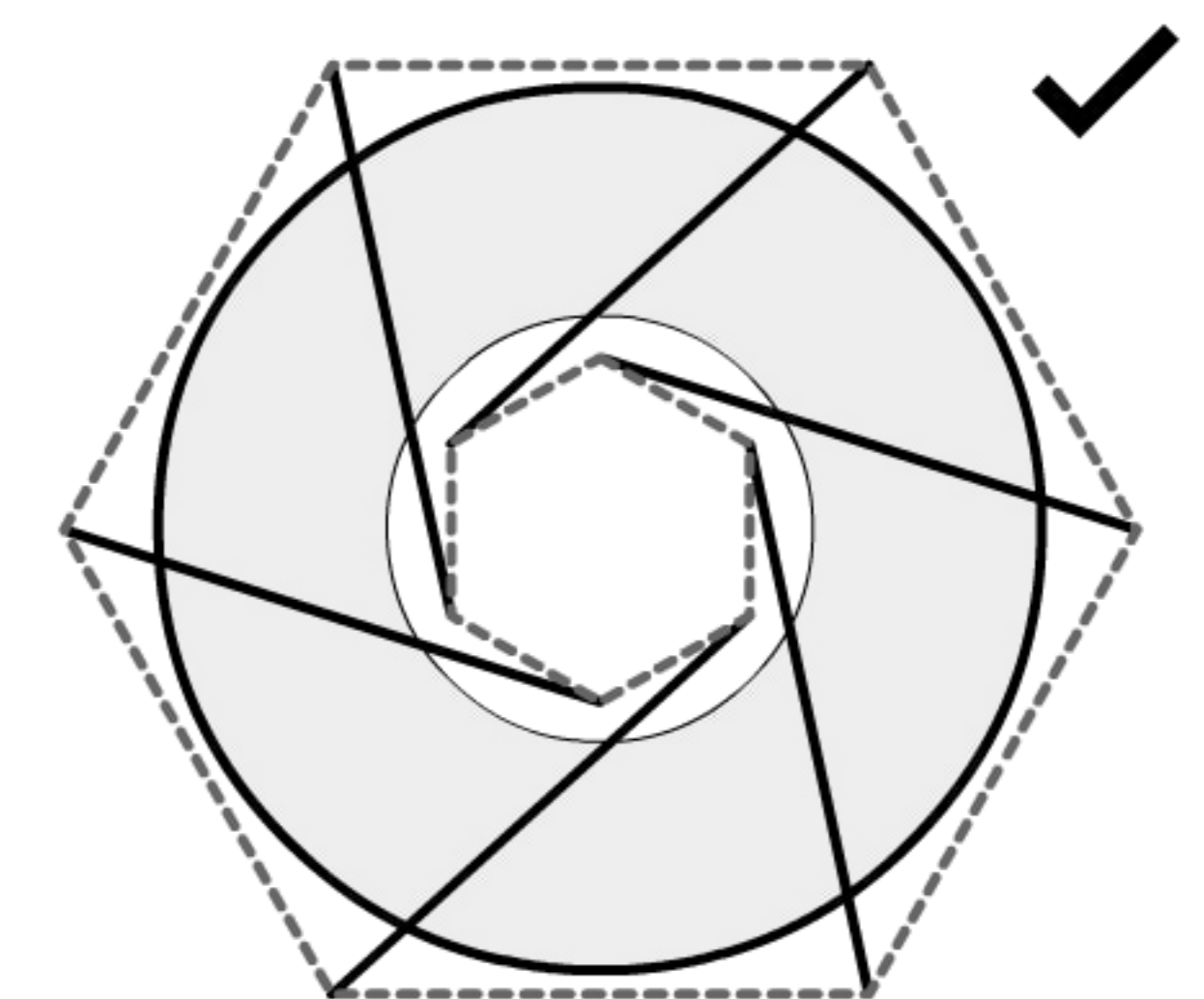
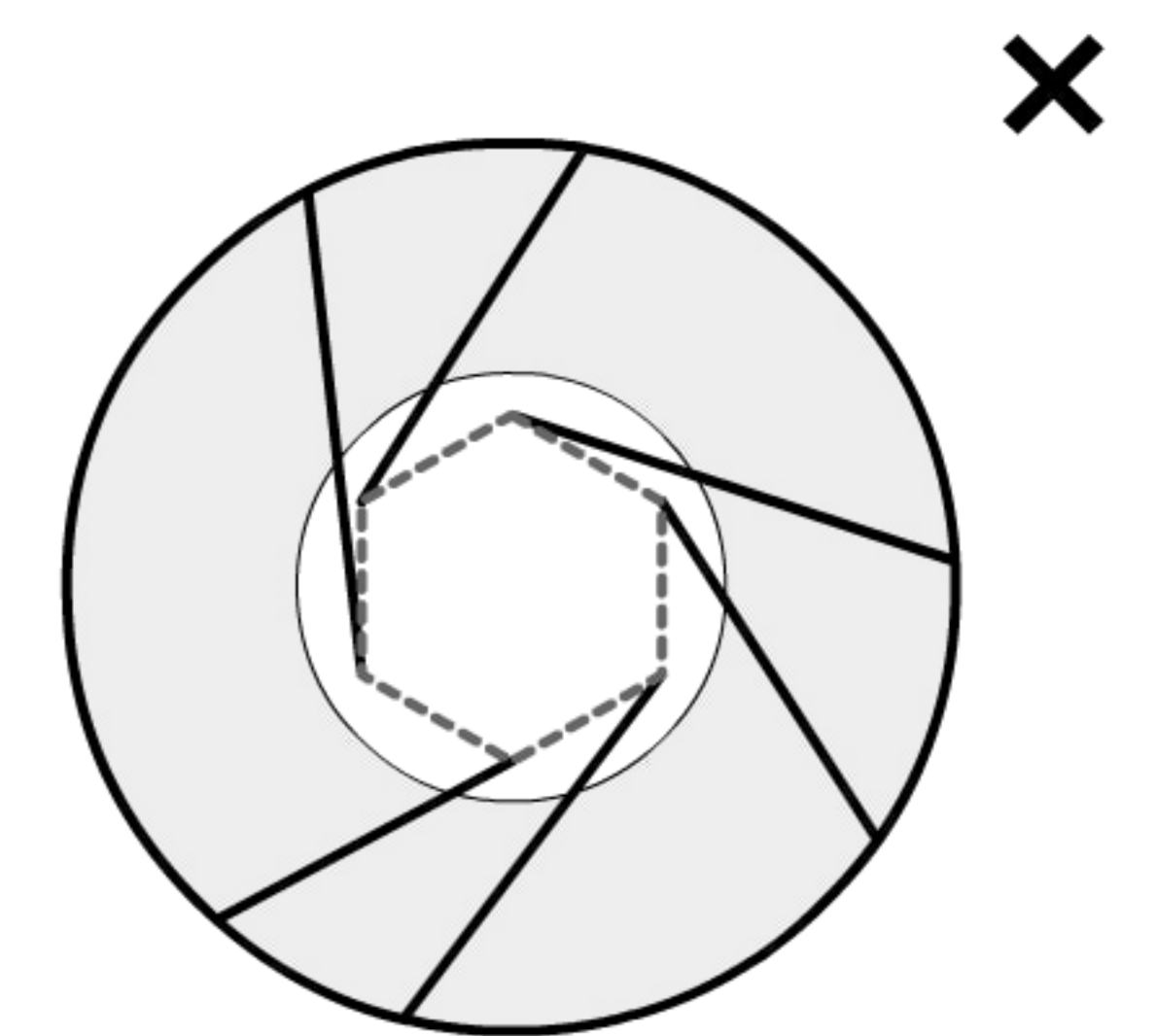
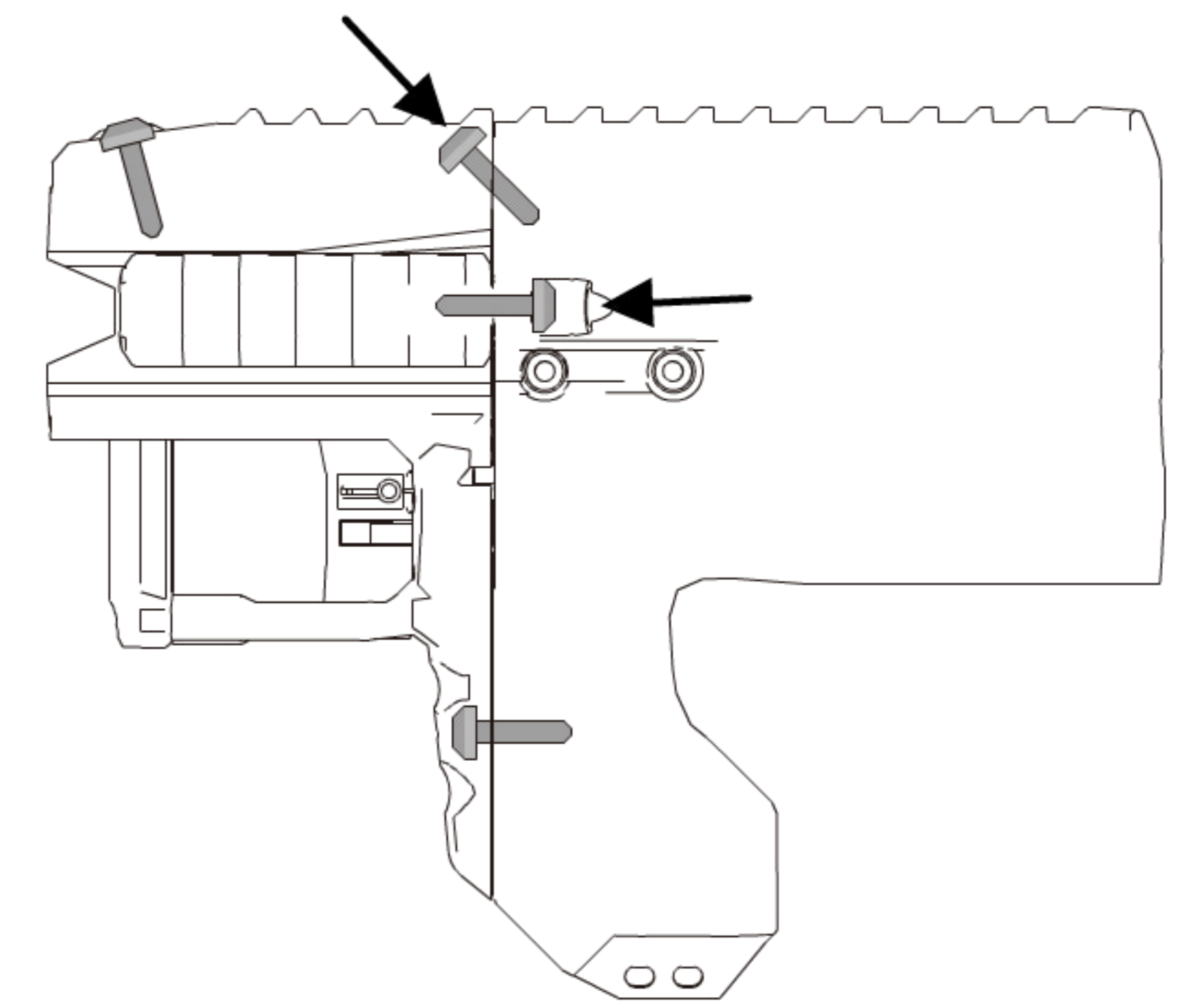
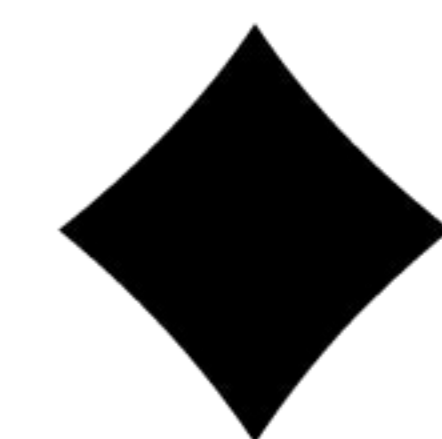
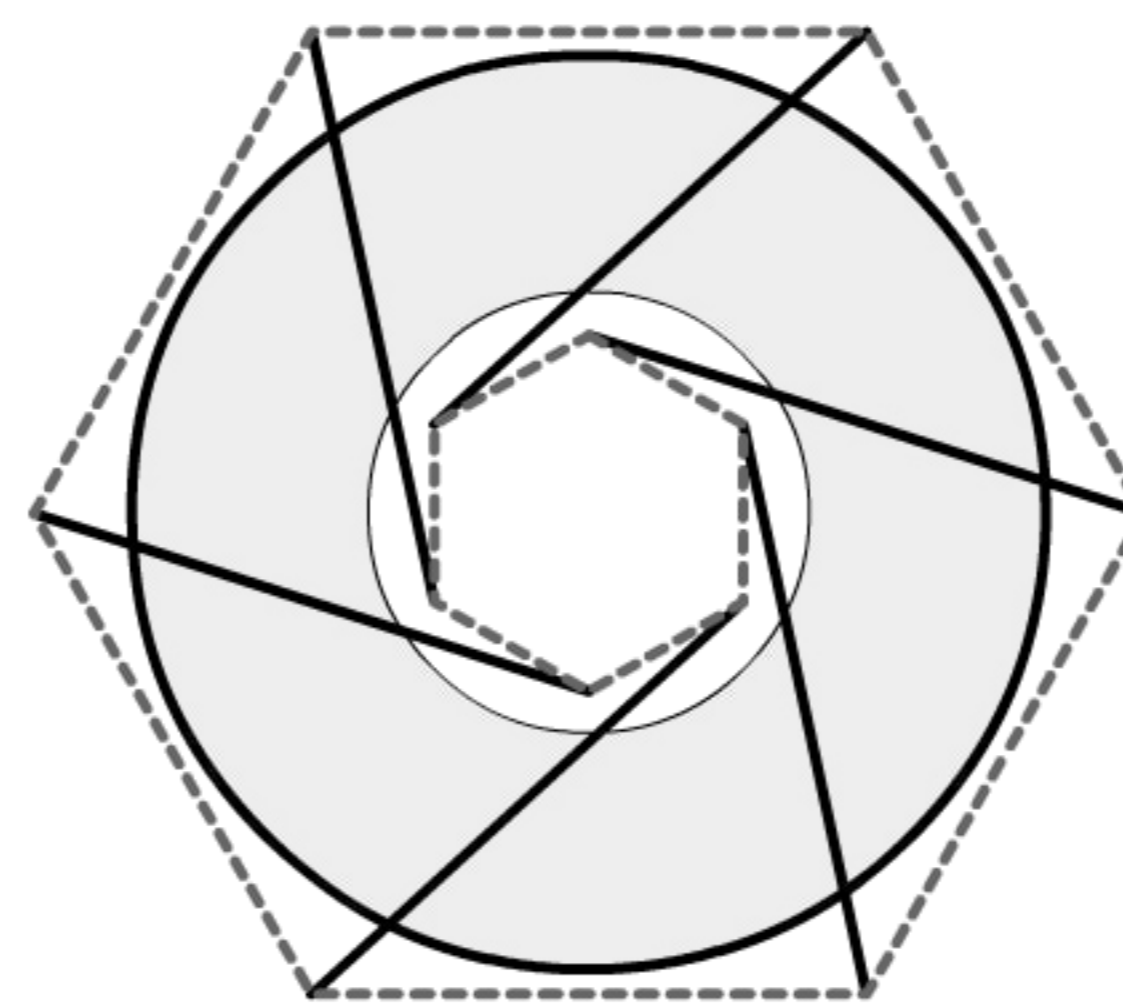
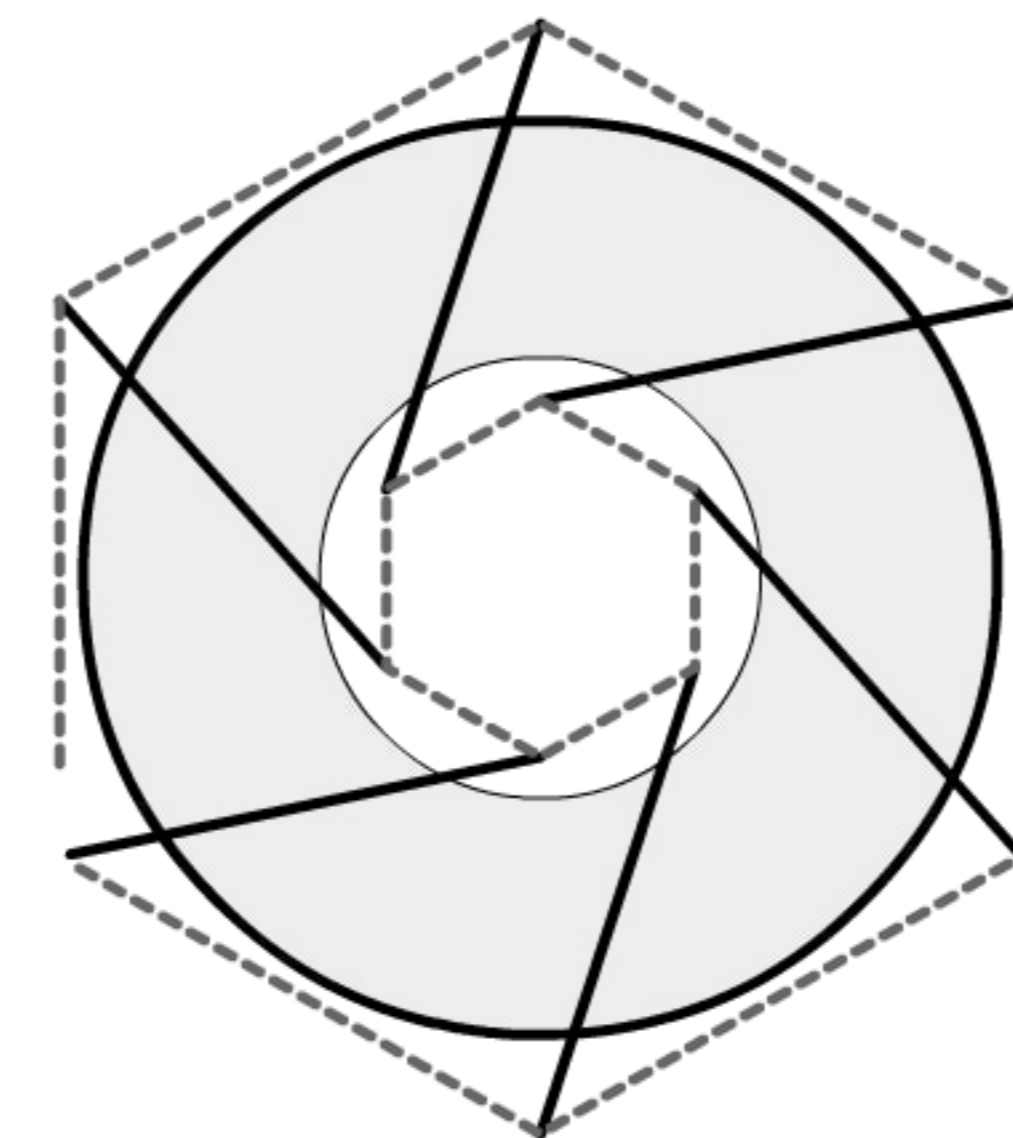
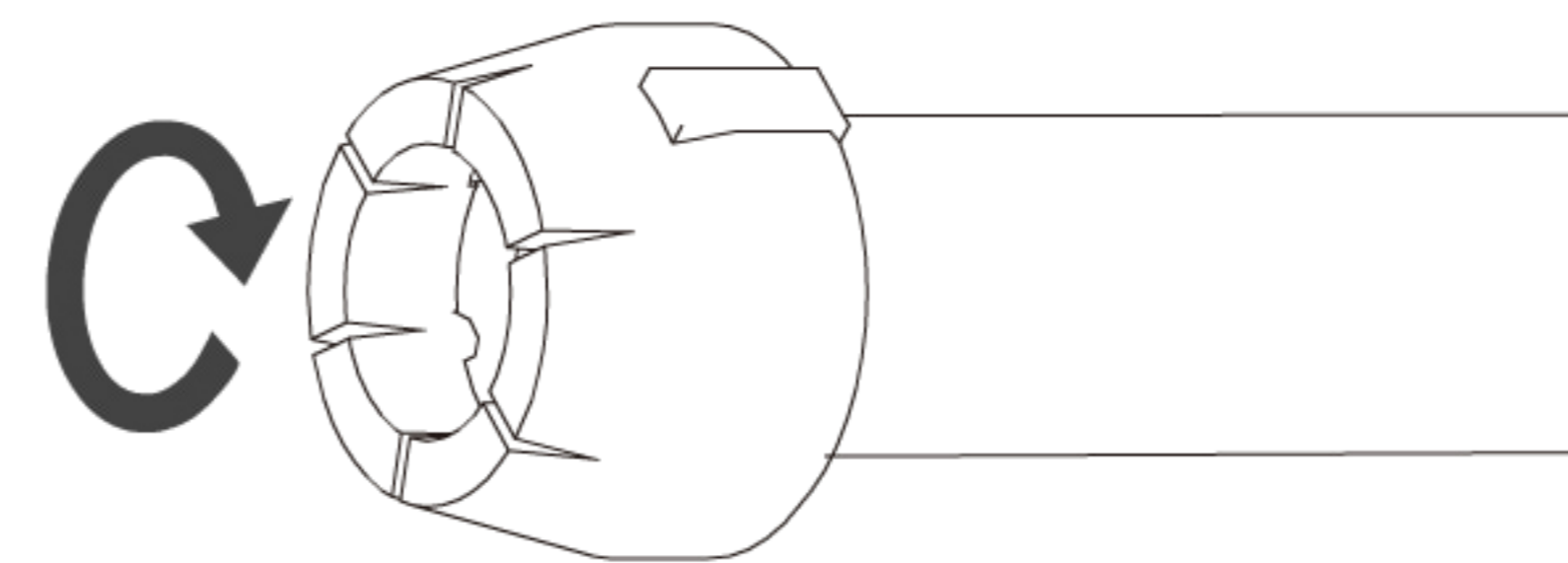
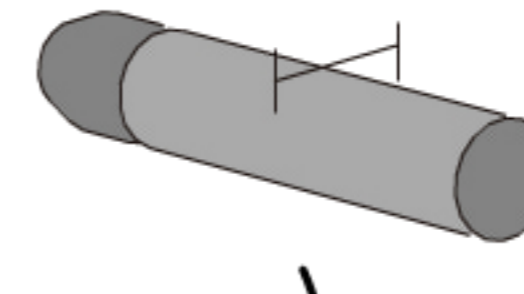
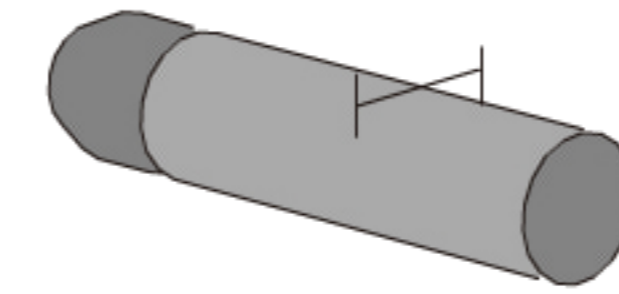
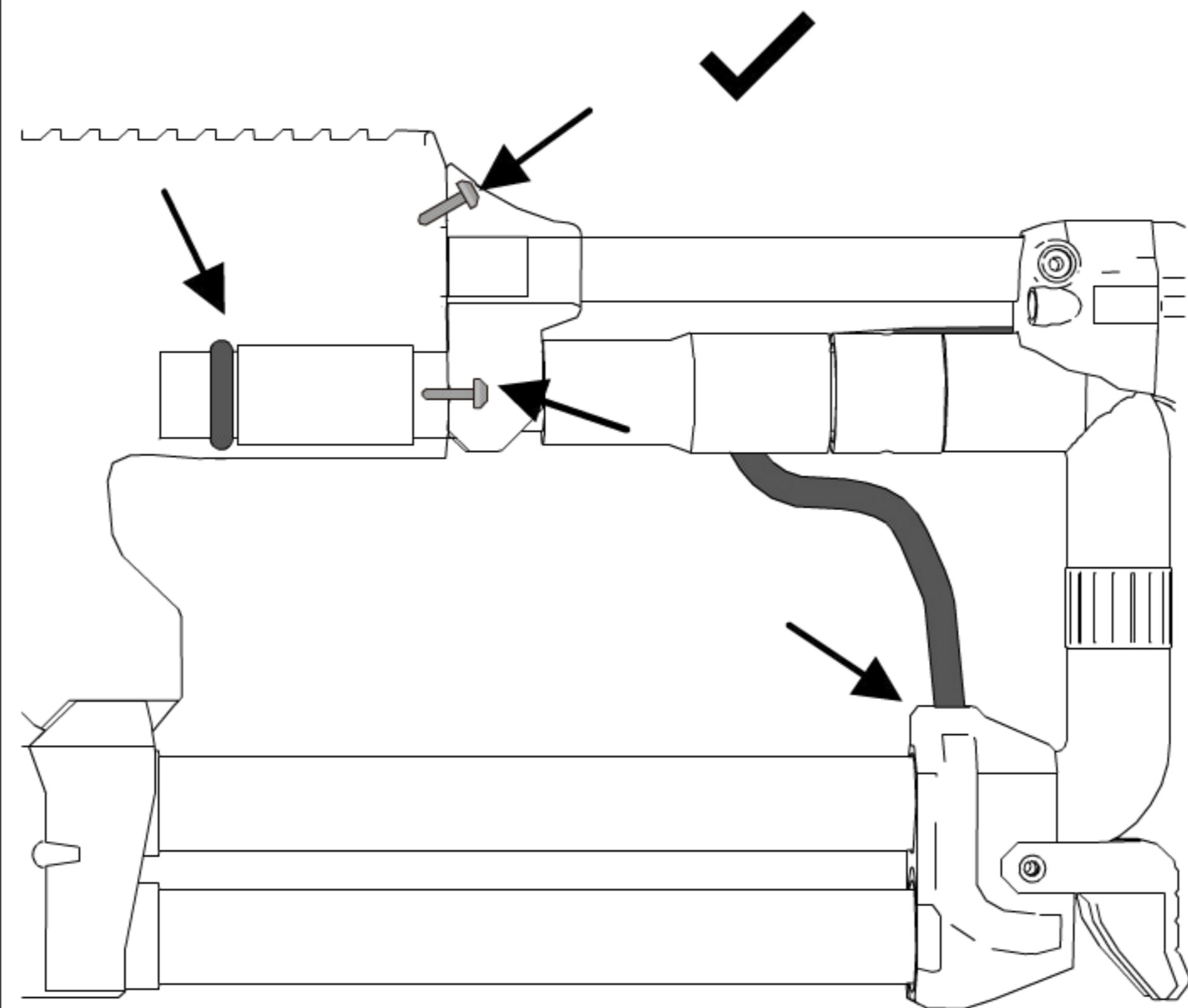
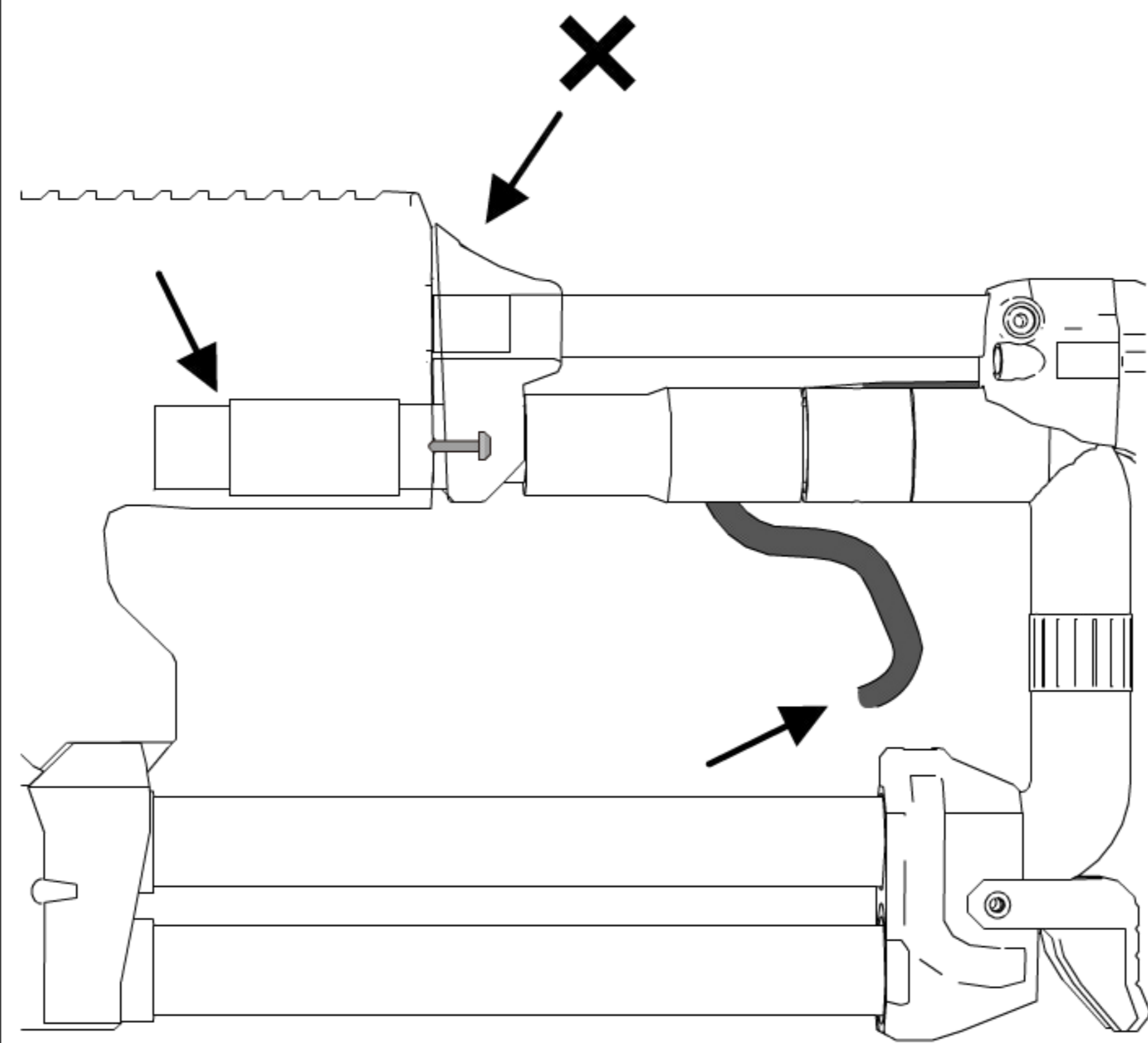
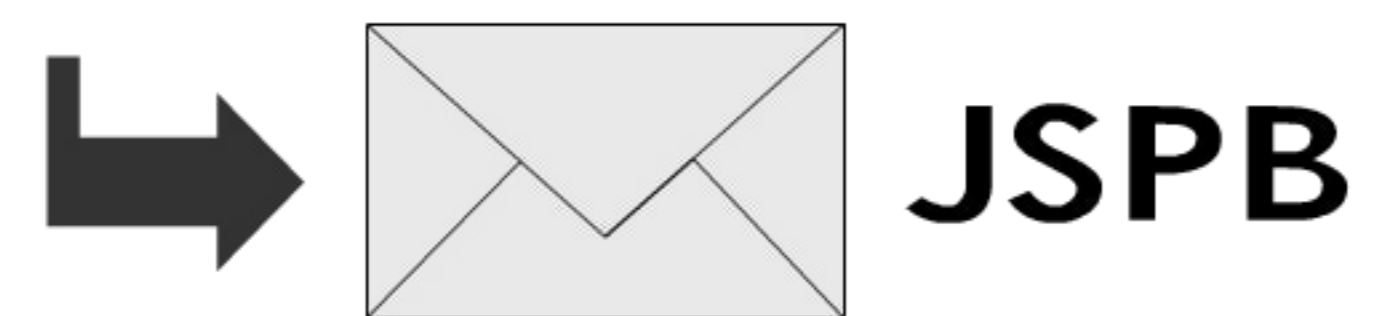
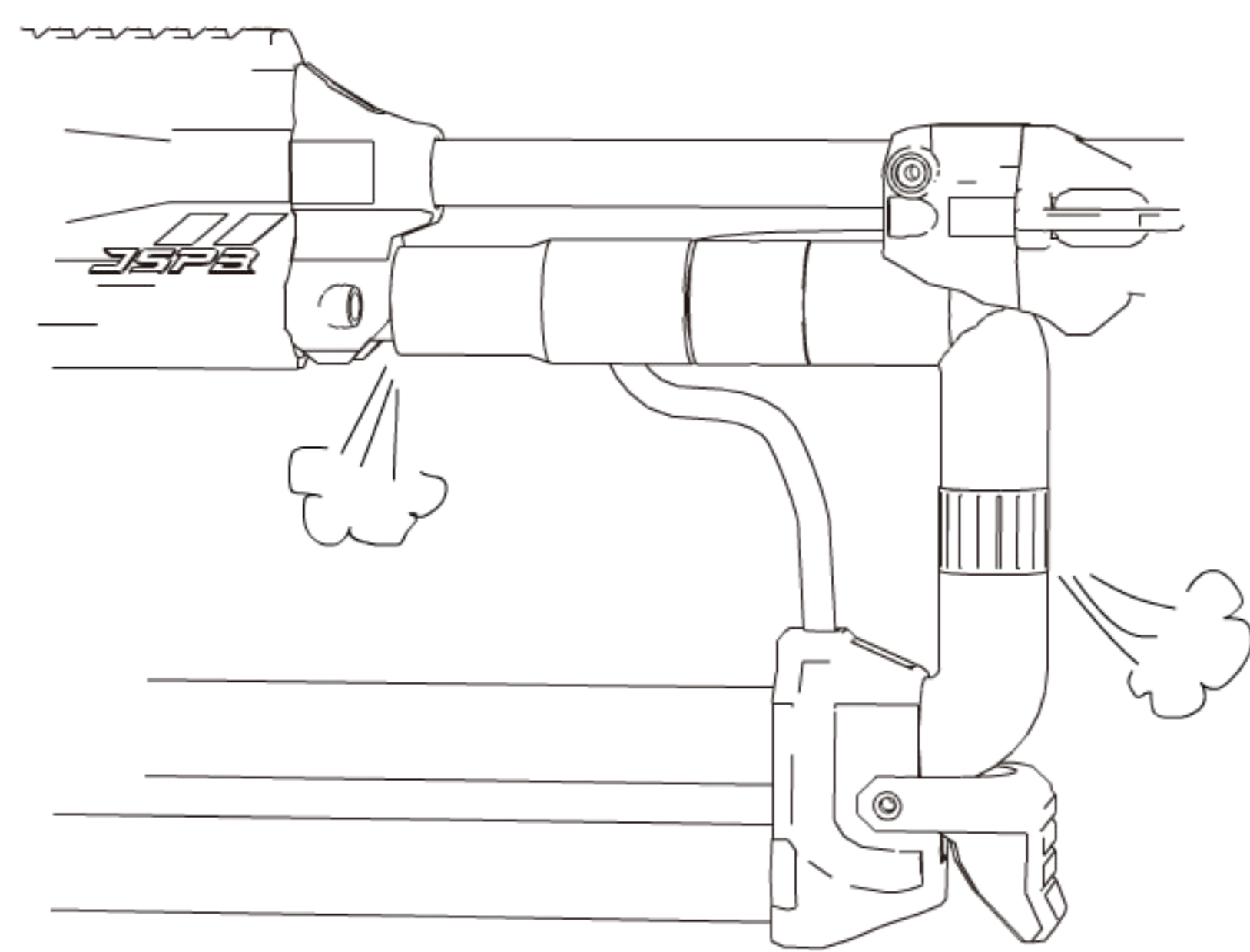
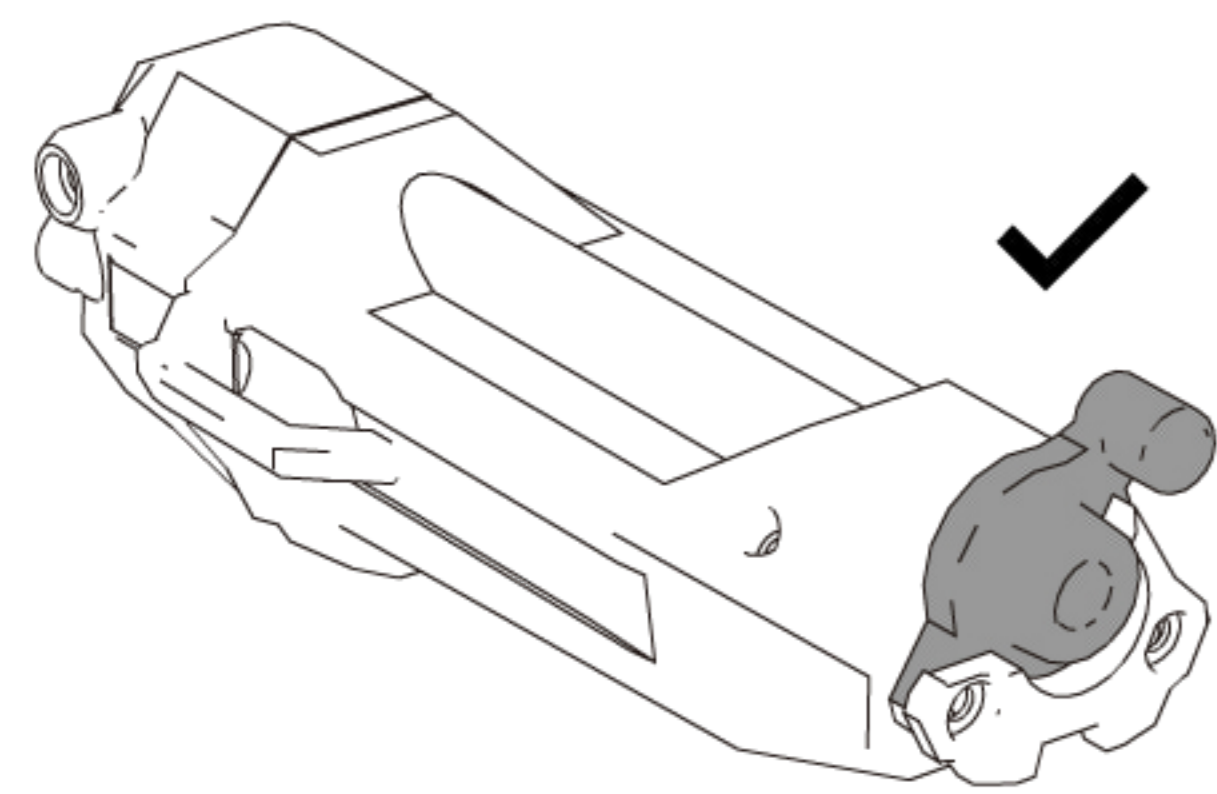
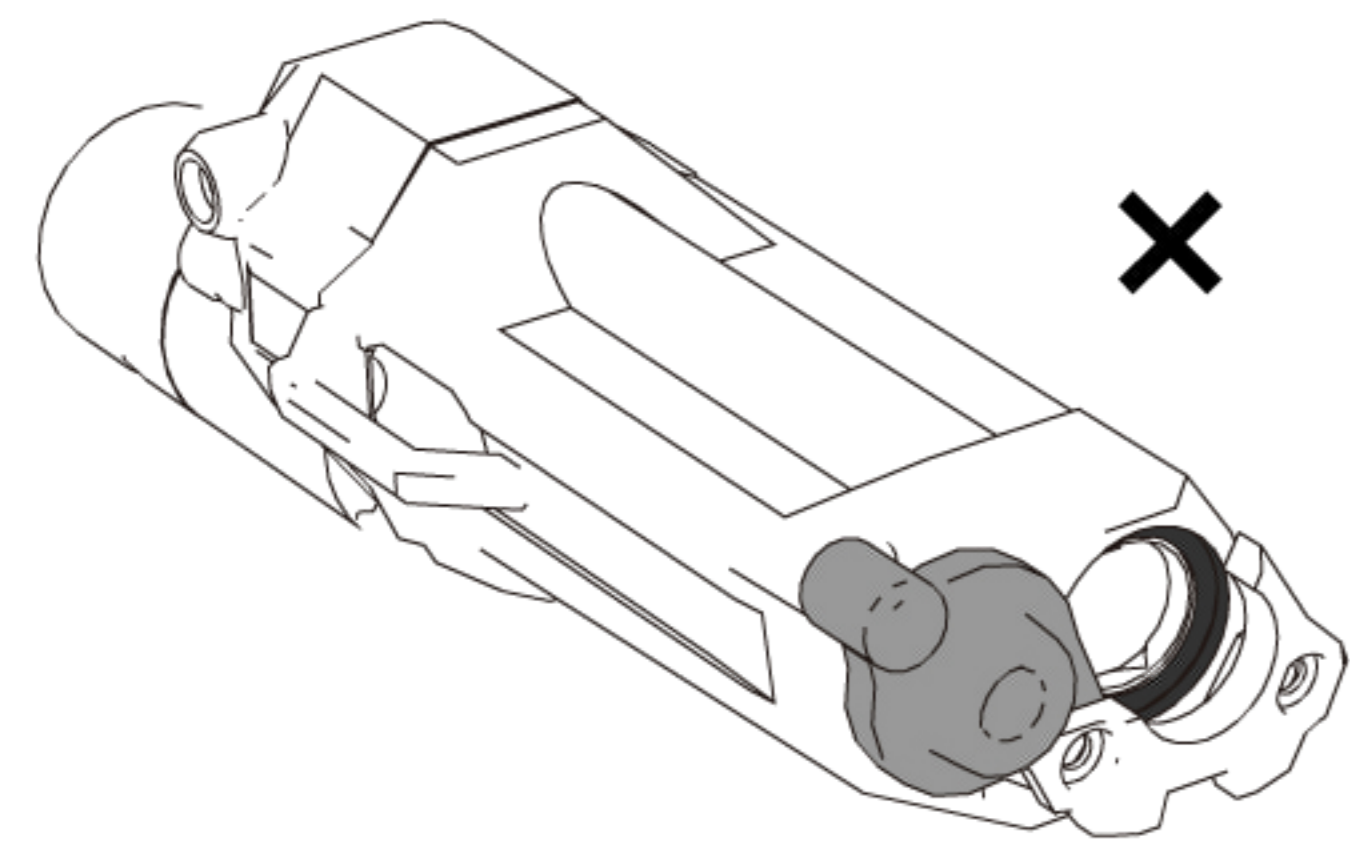
Name: JSPB Pro2  
 Rage: 75Feet  
 Ammo: Foam darts  
 Load: 6 darts  
 Power: Air pressure

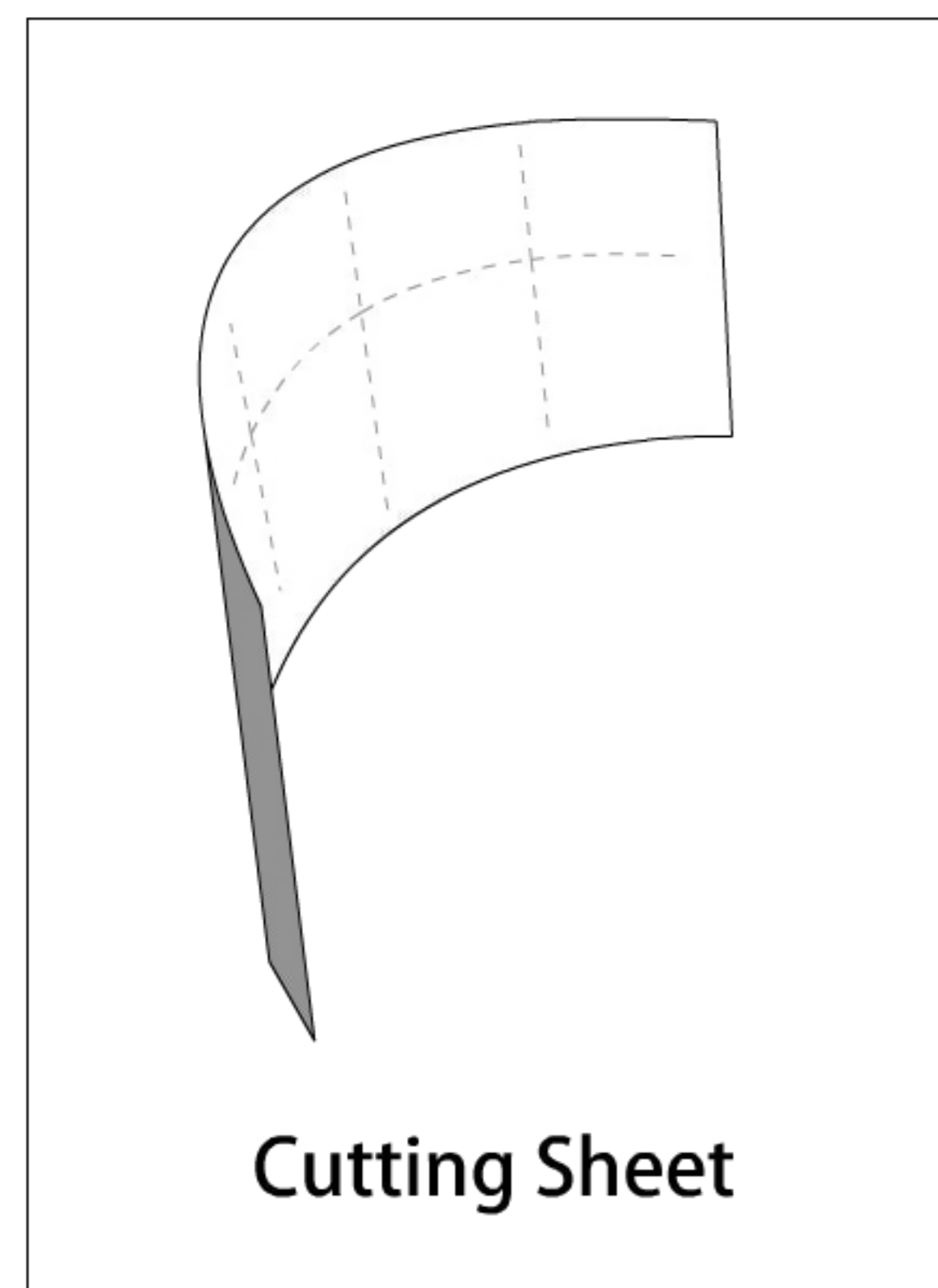
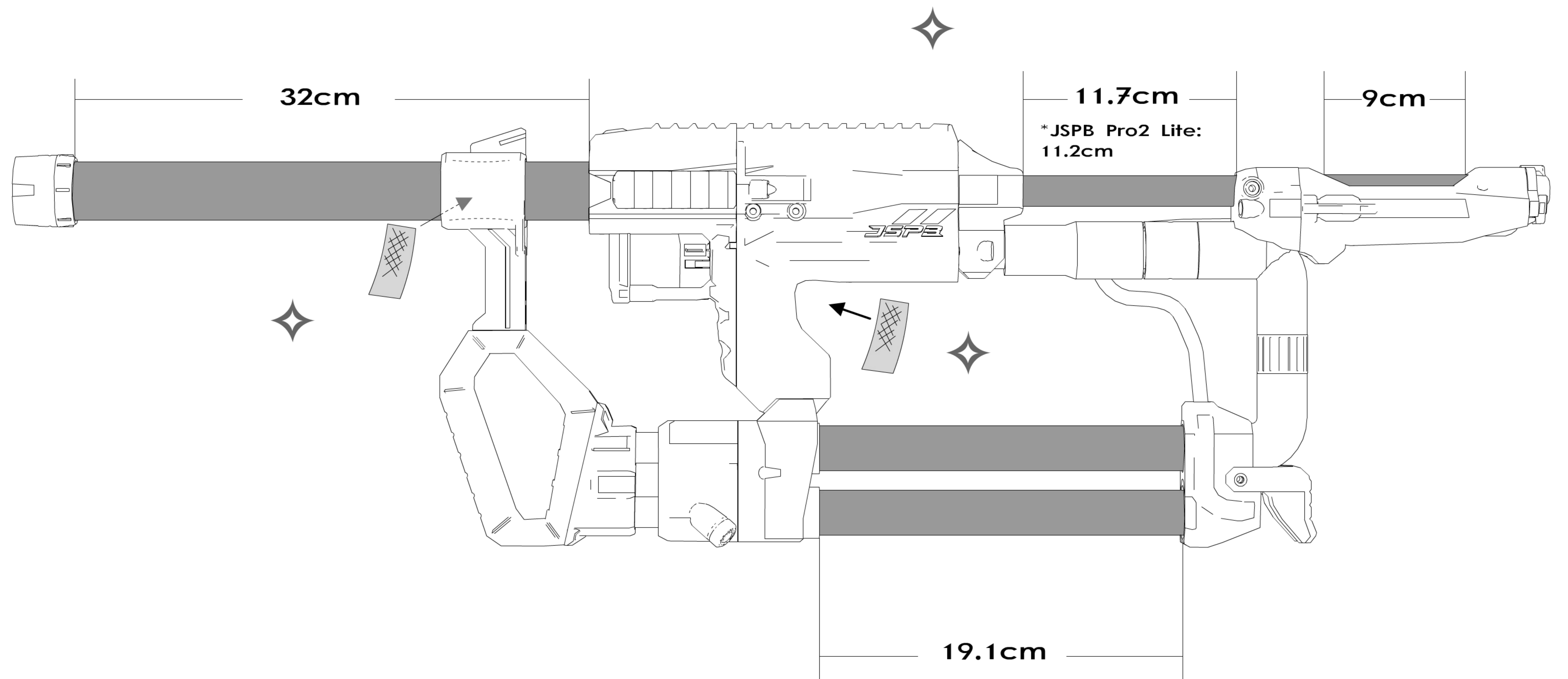
Name: JSPB Pro2 LITE  
 Rage: 75Feet  
 Ammo: Foam darts  
 Load: 4 darts  
 Power: Air pressure



## FAQ:







Follow JSPB !



獲得最新消息,張貼您的作品!!

[www.facebook.com/jspbcombat](http://www.facebook.com/jspbcombat)