



Video Tutorials:
<https://www.jspb3d.com/build-guides>



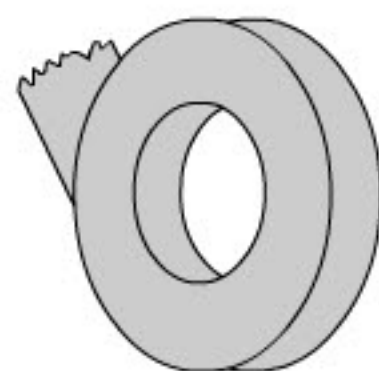
JSPB-3D PRINTED CYBER NINJA DIY KIT

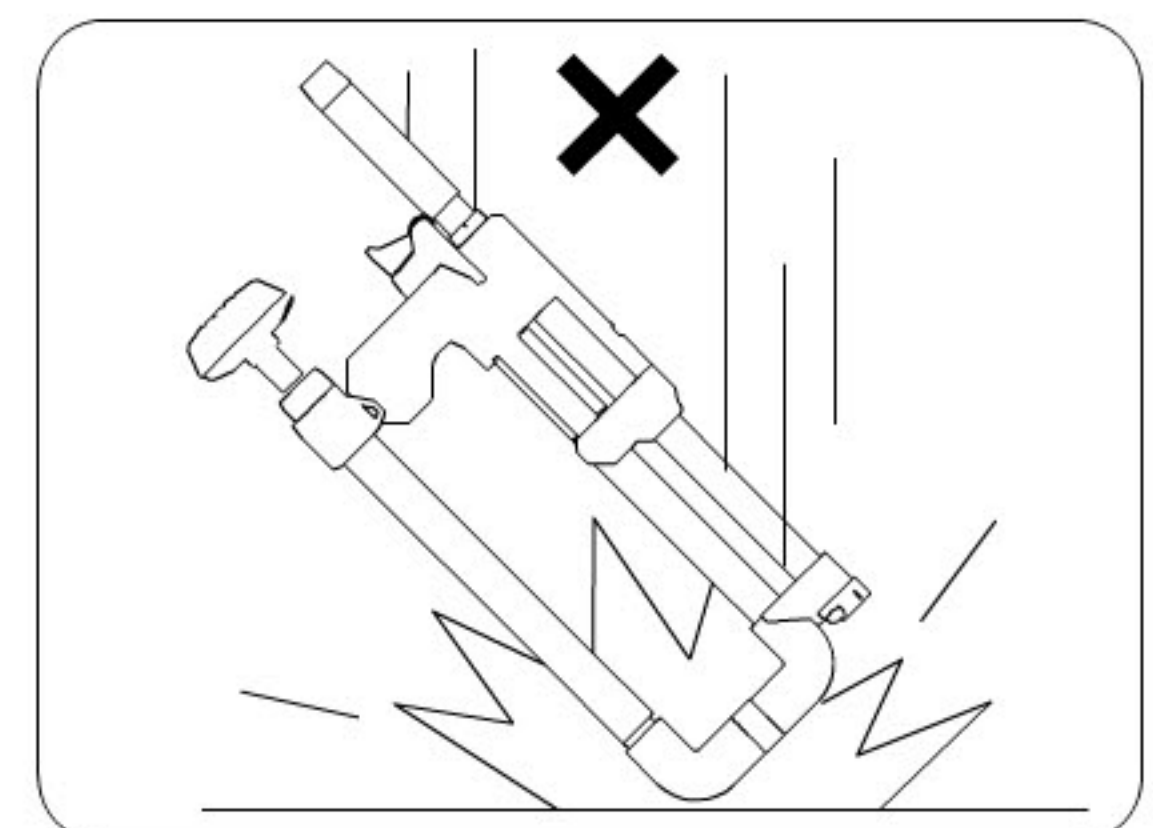
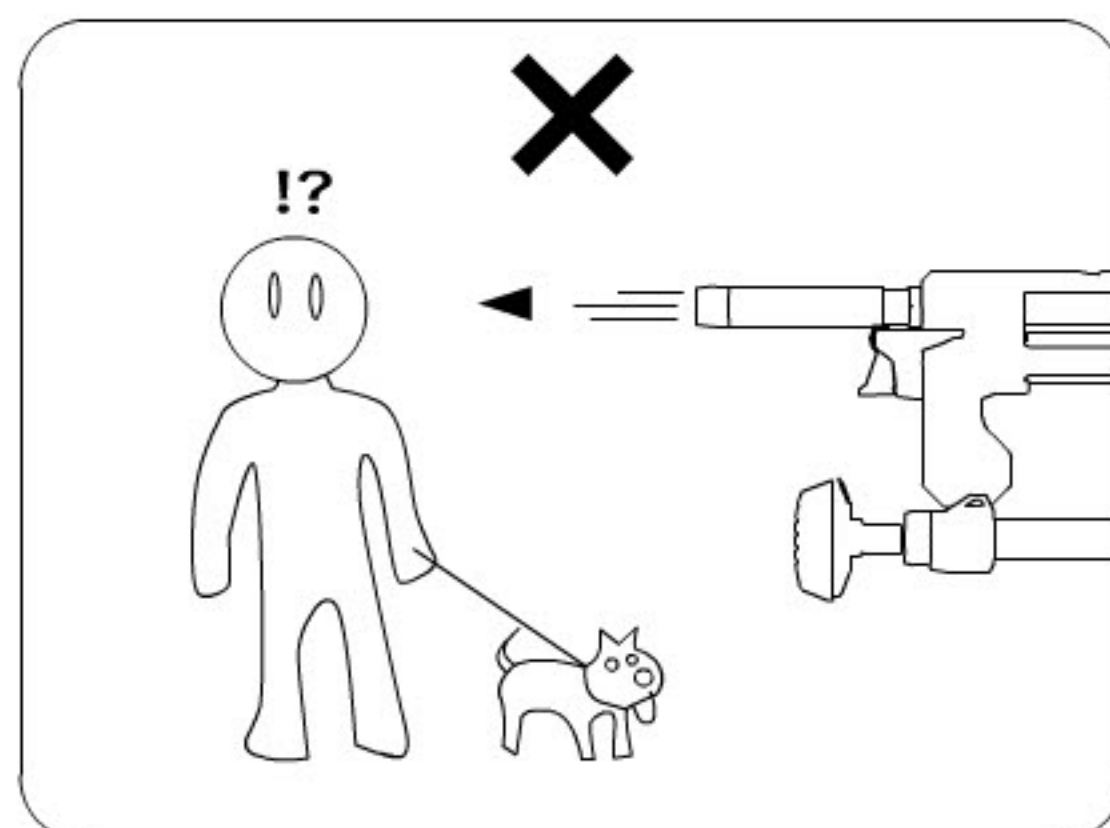
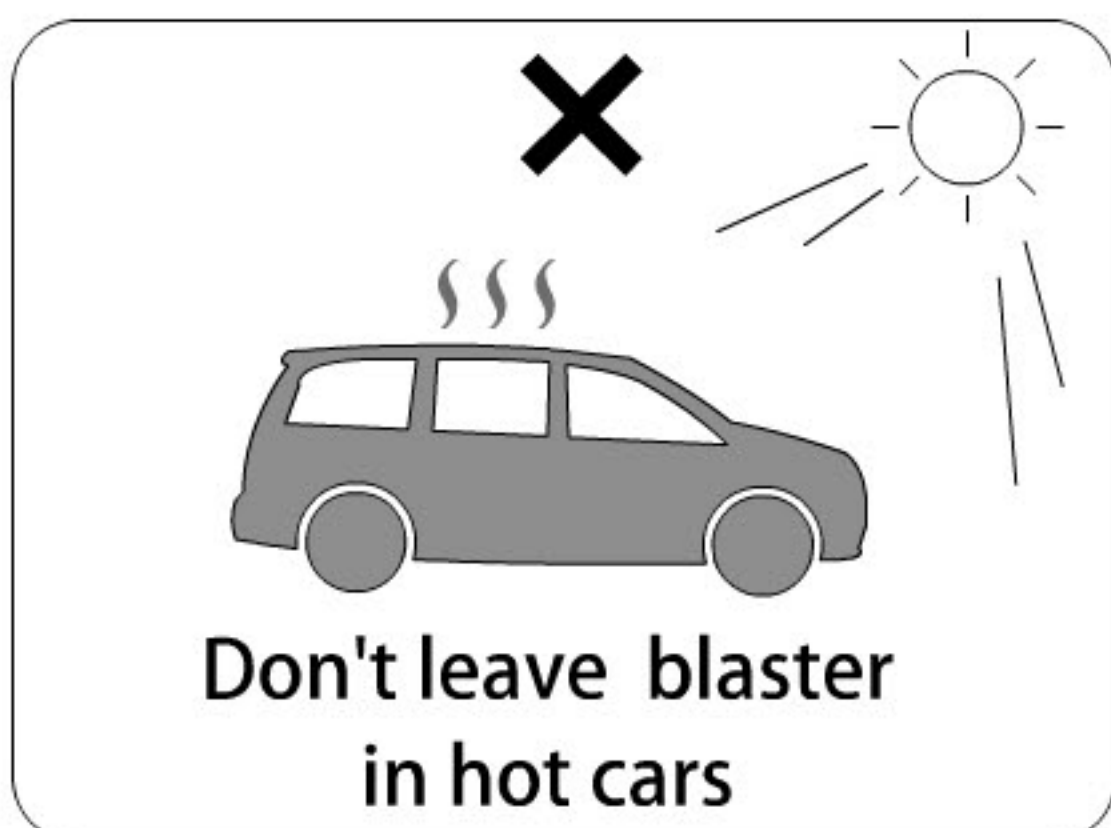
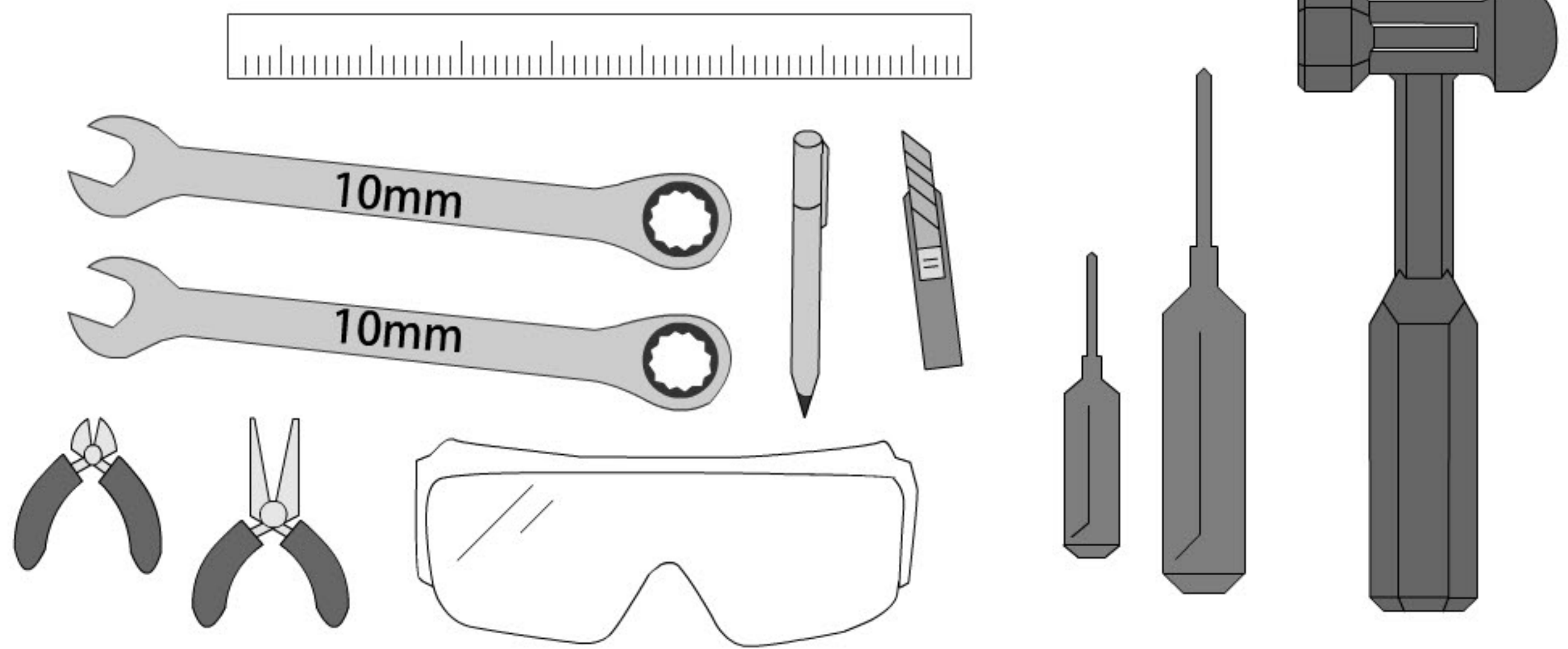
Read and fully understand the instructions prior to use.
The supervising adult should also read the instructions if a child is using the model.Keep instructions for future reference.

使用前請詳細閱讀理解說明書。
如果孩童操縱使用,監護人也需閱讀說明書。

Items 請自備 required:

 Sand paper

 TAPE



Read and fully understand the instructions prior to use.
The supervising adult should also read the instructions if a child is using the model.Keep instructions for future reference.

使用前請詳細閱讀理解說明書.如果孩童操縱使用,監護人也需閱讀說明書.

▲ 警告

- 14歲以下請家長陪同使用。
- 細小零件避免兒童吞食。
- 小心操縱工具以免受傷。
- 接著劑使用前請先閱讀包裝說明。
- 請勿在公共空間驚嚇或攻擊他人。
- 請勿再捷運,火車,飛機上遊玩。
- 請勿瞄準頭或臉。
- 請勿攻擊他人財產或是動物。
- 黑色塗裝攜帶時必須放入槍袋。
- 改造請依照當地法規合法改造。

▲ 注意



- 製作或遊戲時請戴上護目鏡。
- 操縱黏膠或潤滑油不能接觸眼睛,如果不慎接觸請大量沖水並且就醫。
- 3D列印材質PLA,水管為PVC。
- 小心水管與零件銳邊,使用砂紙打磨。
- 變形損壞的JSPB請勿再使用。
- 請先清點材料,如有缺件請聯絡購買處。

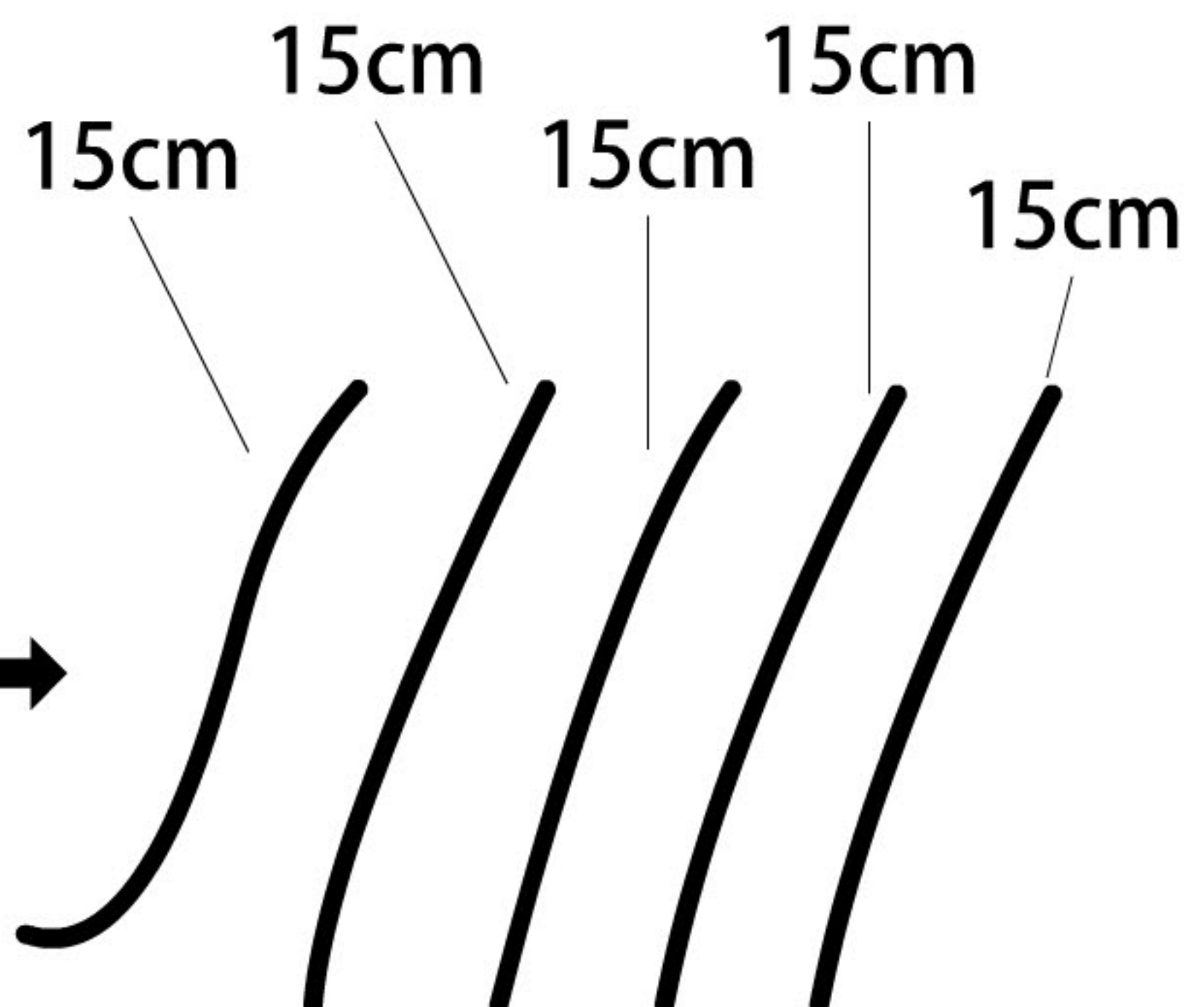
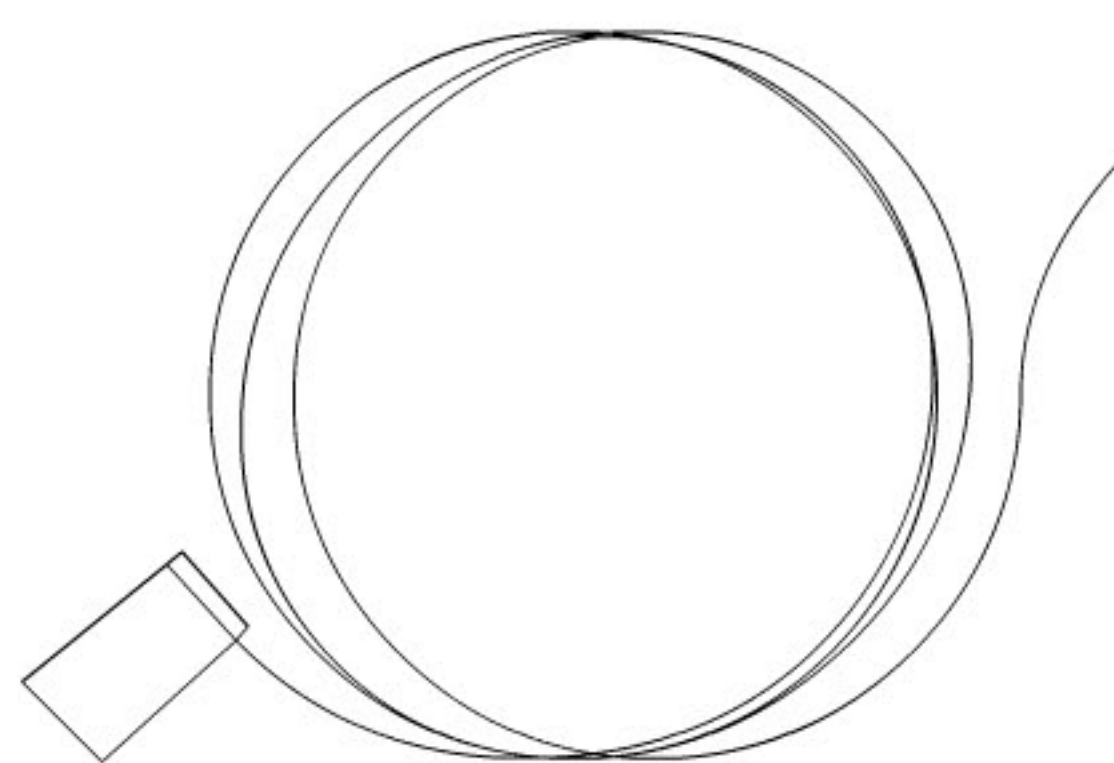
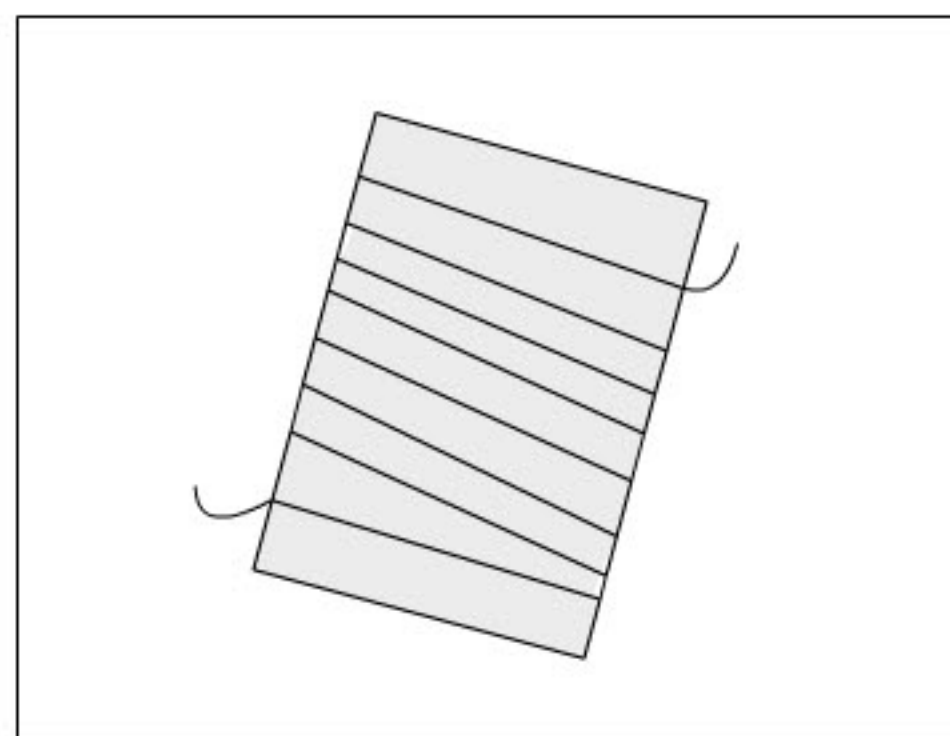
▲ WARNING!

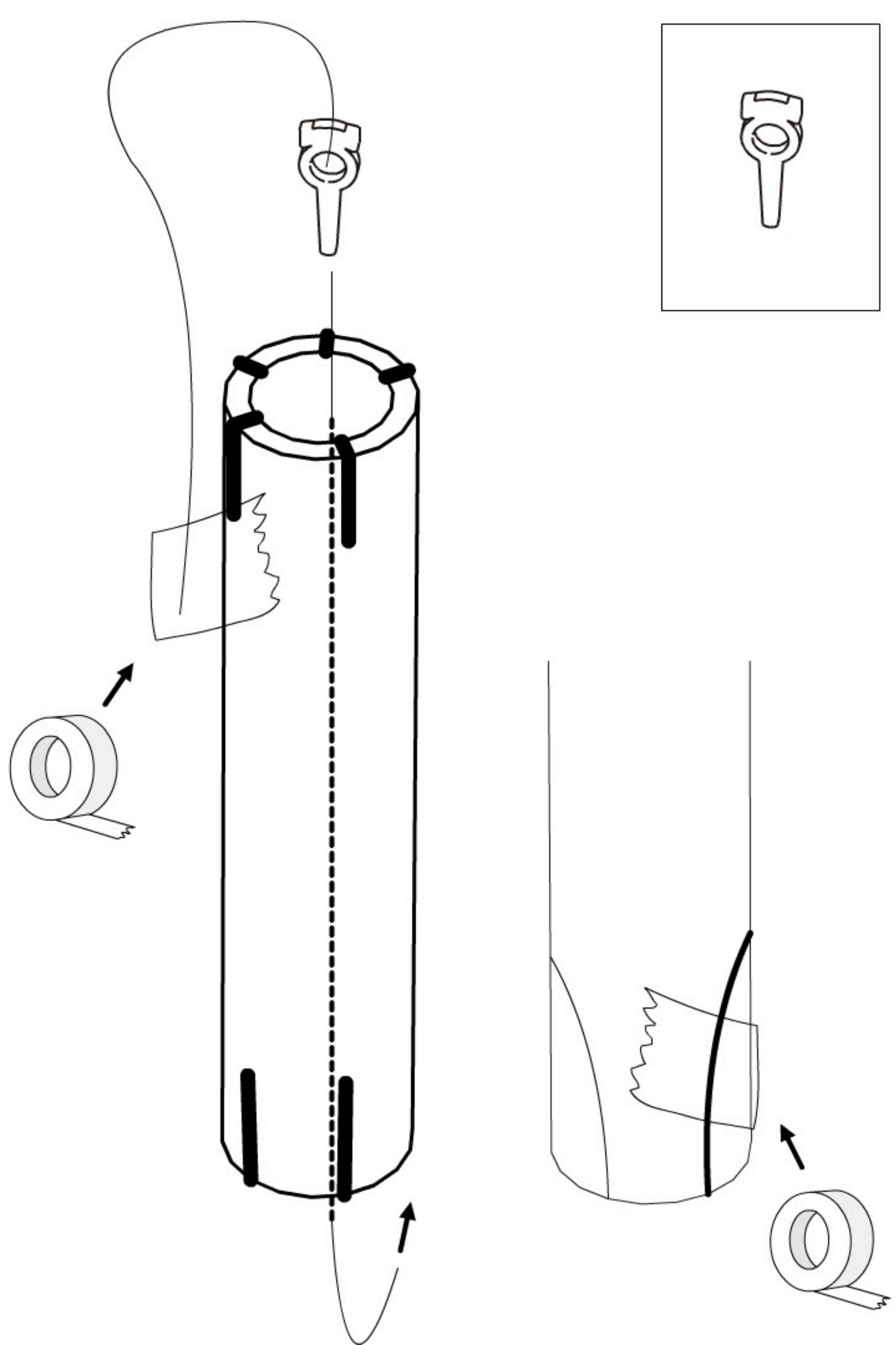
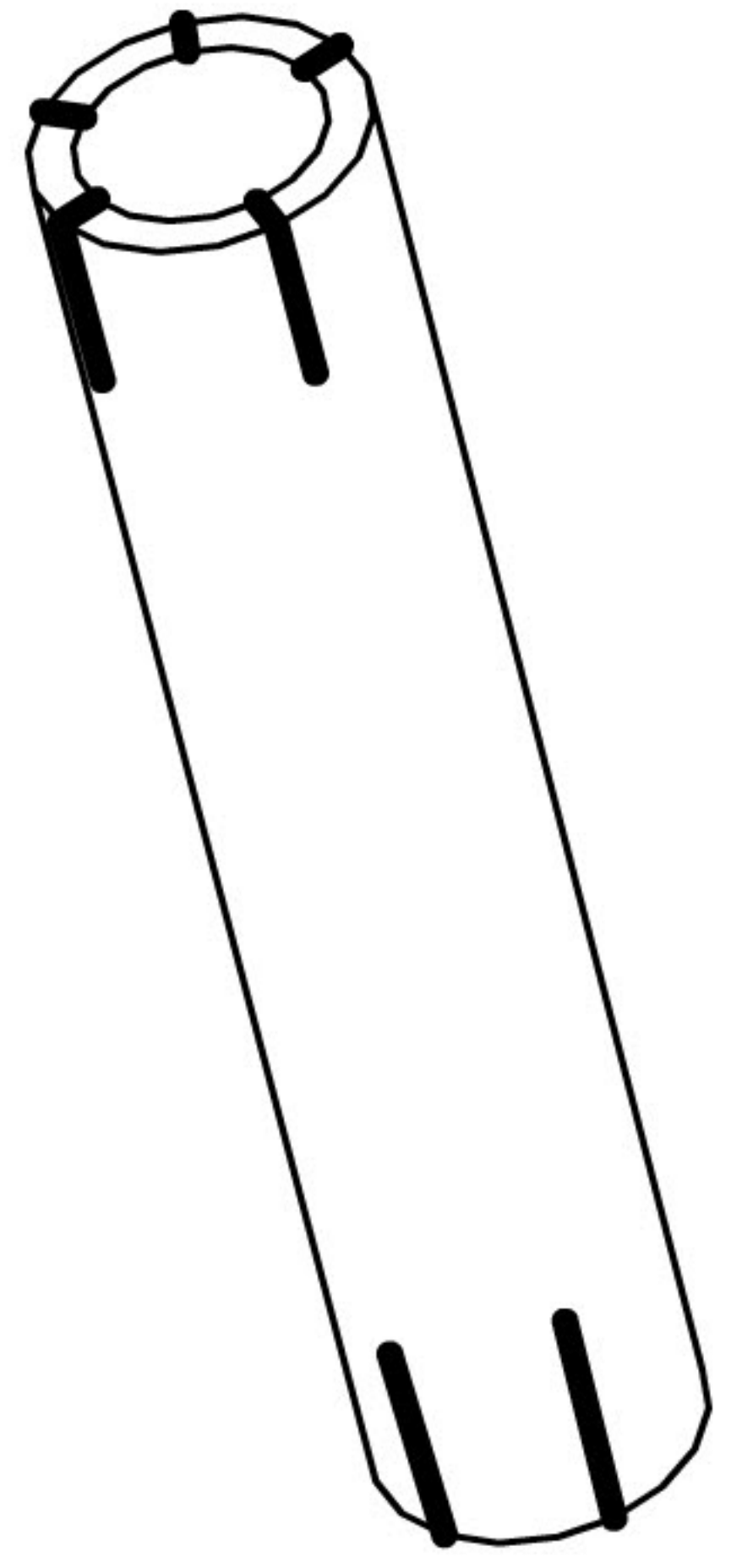
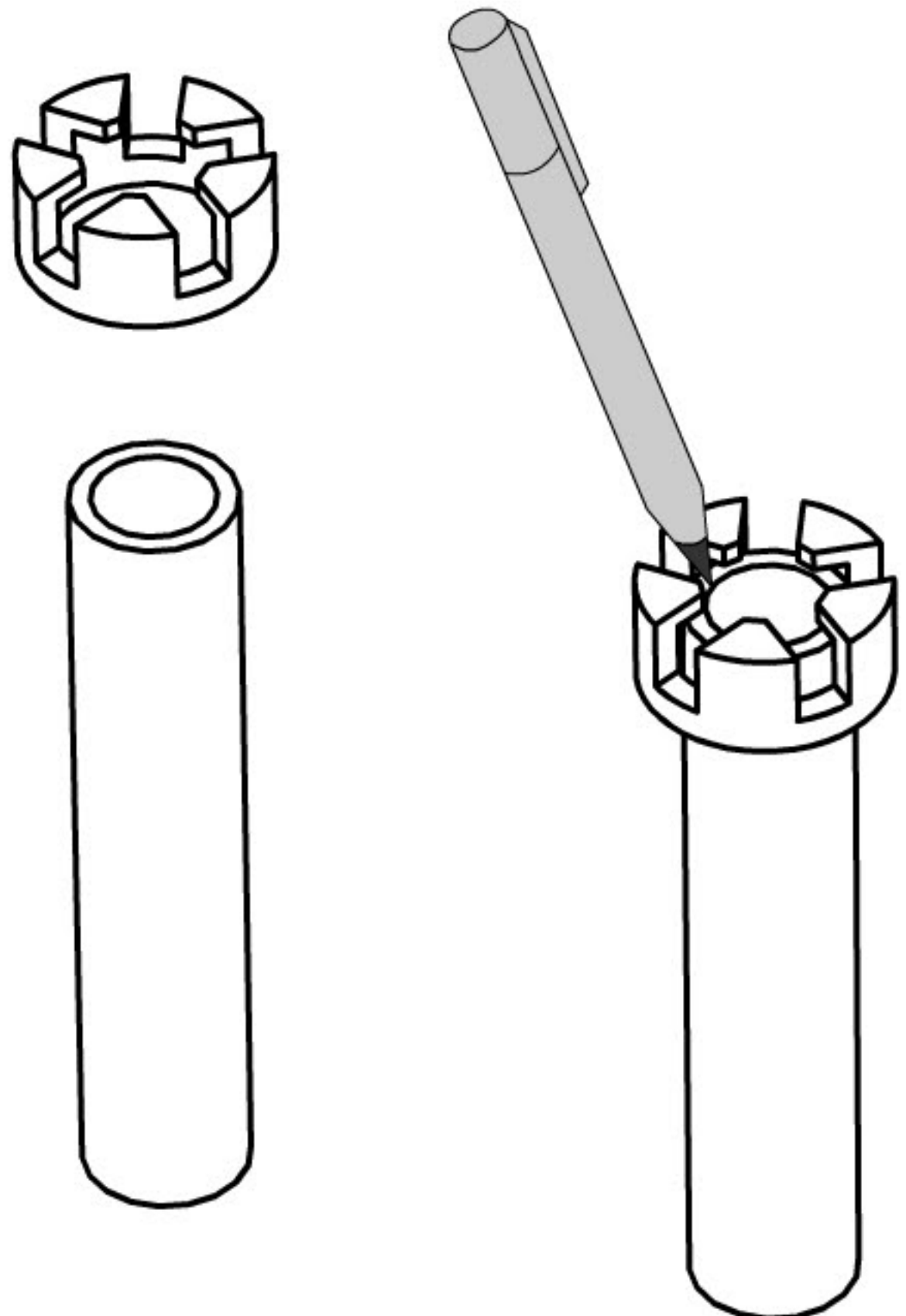
- Use under adult supervision.
- Not suitable for children under 3 years of age.
- Care should be taken when using tools and modeling knives,as these can cause personal injury.
- Keep out of reach of small children when assembling.Children must not be allowed to touch tools or put any parts or packaging material in their mouths.
- Do not use glue near open flame and make sure to ventilate room to prevent poisoning/intoxication.
- Never play the blaster on streets,near small children or in a crowded area.

▲ CAUTION!



- Wear goggles at all times.
- Parts using sandpaper make shure not to leave sharp points or edges
- Lubricants,glue.must not be inhaled or ingested.if accidental exposure occurs ,immediately flush with water and seek medical attention.
- Do not use the model if any parts are damaged or deformed.
- Care should be taken with parts with sharp points and edge.

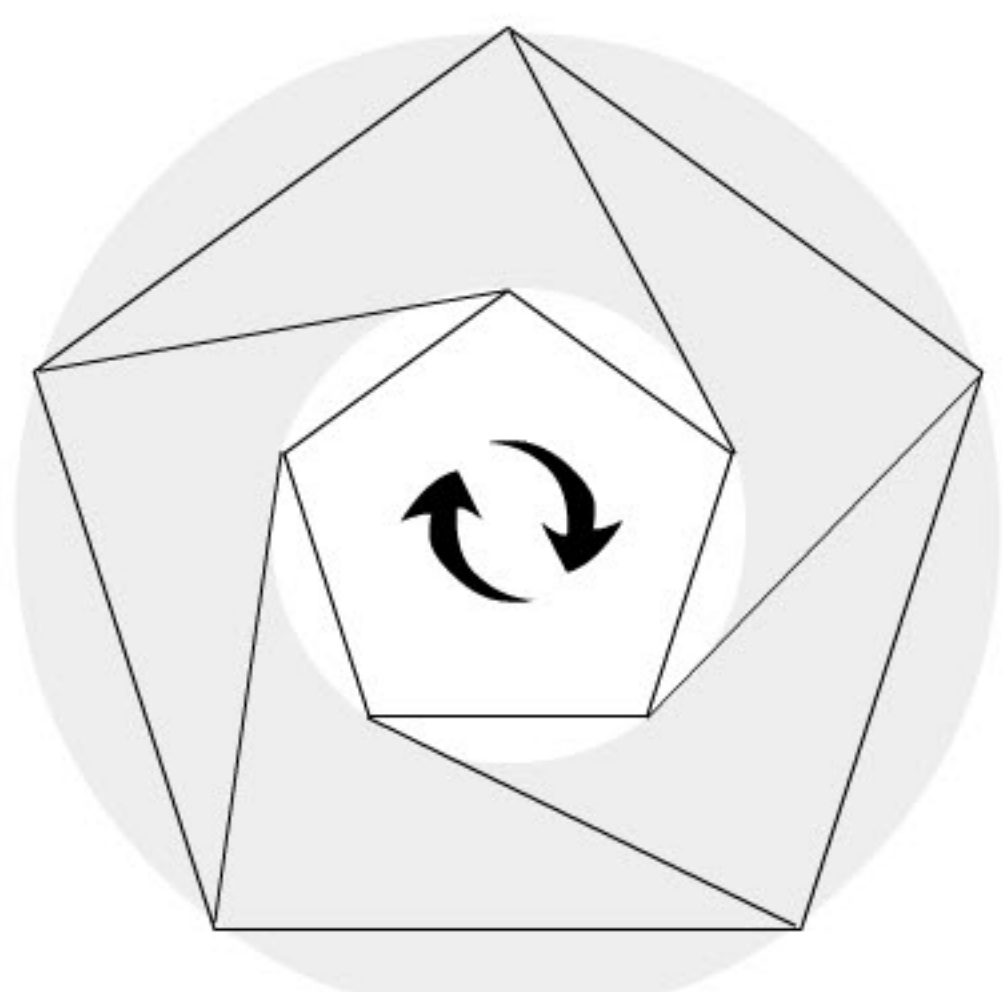
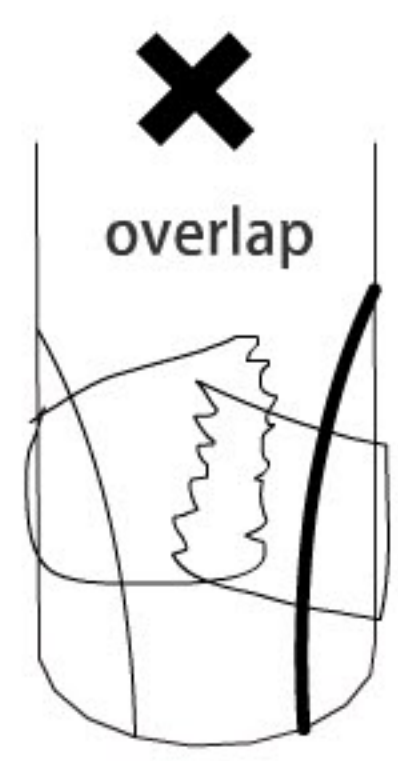
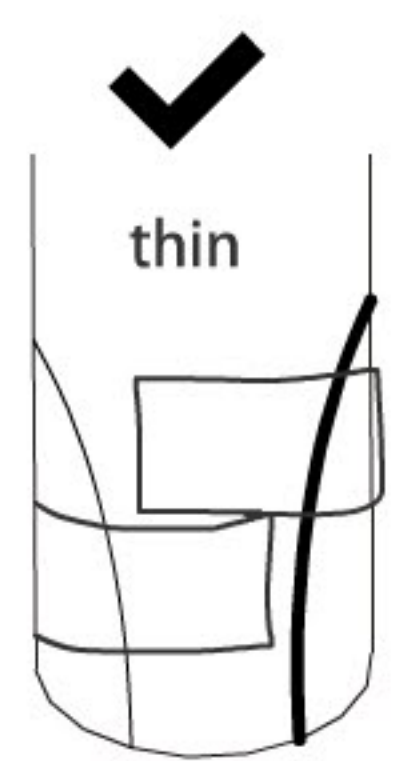




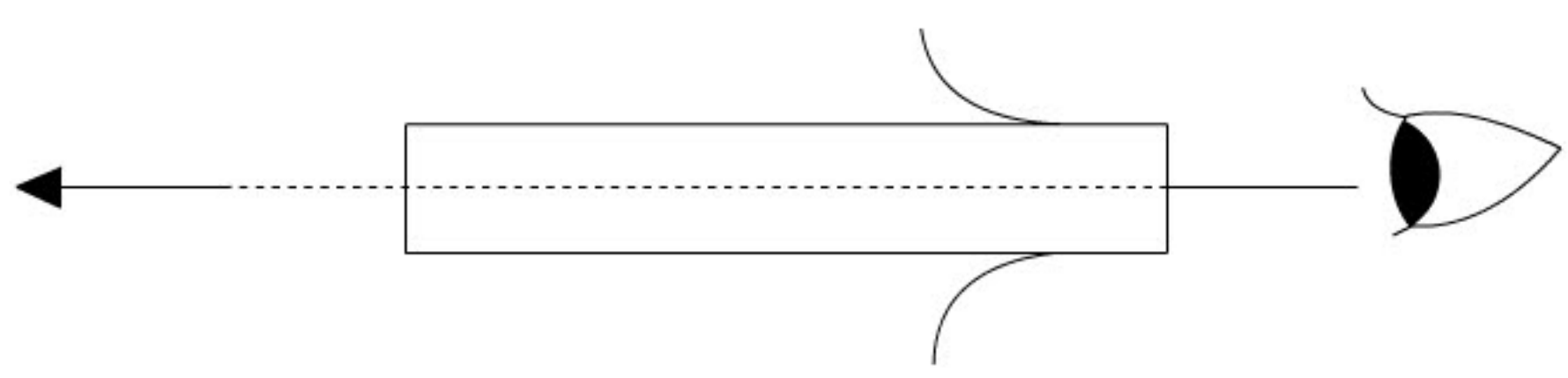
Make a more durable barrel:



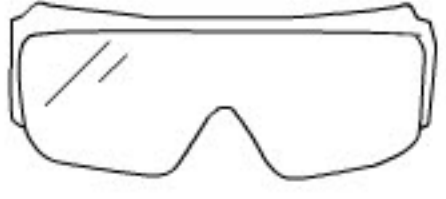
Cool!



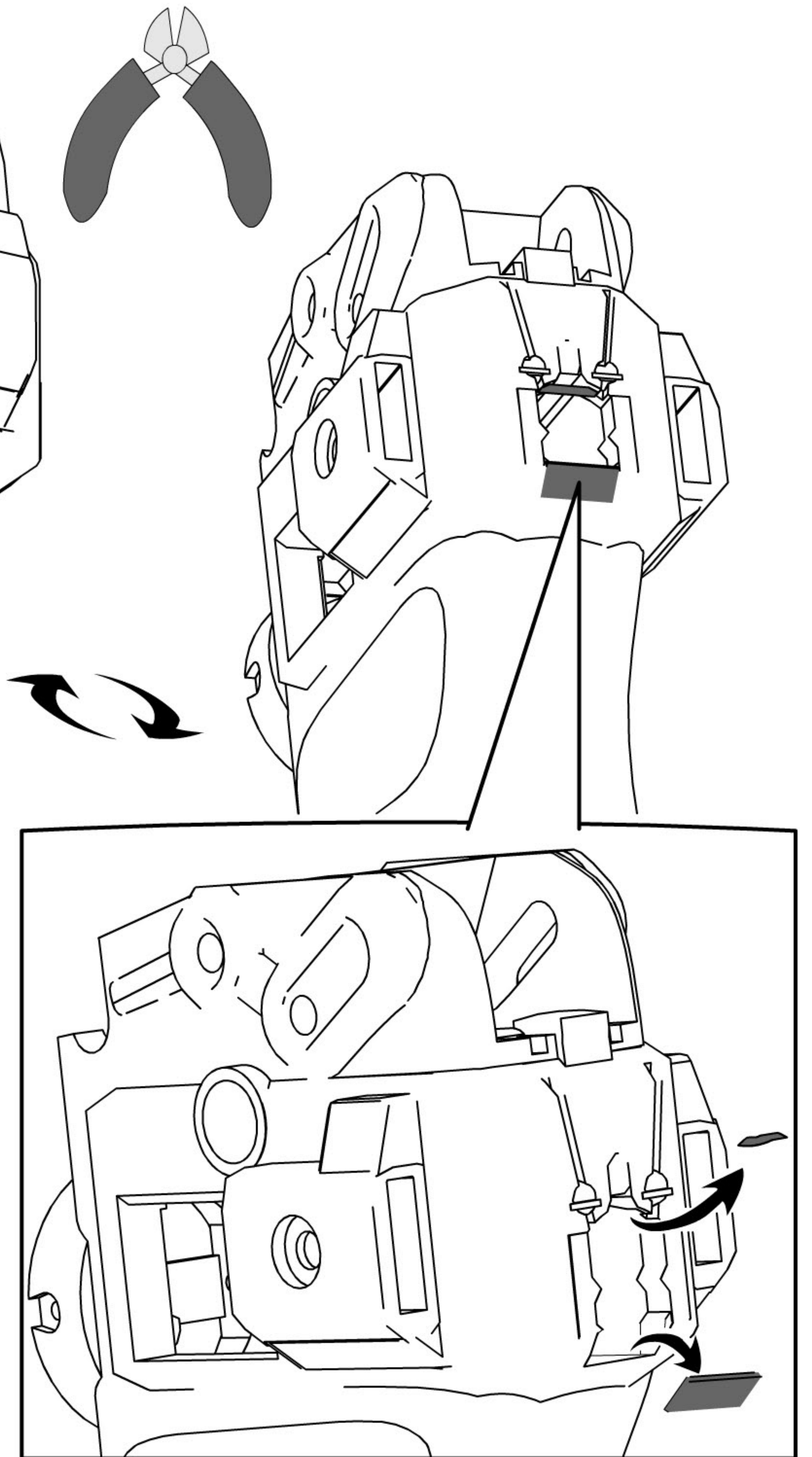
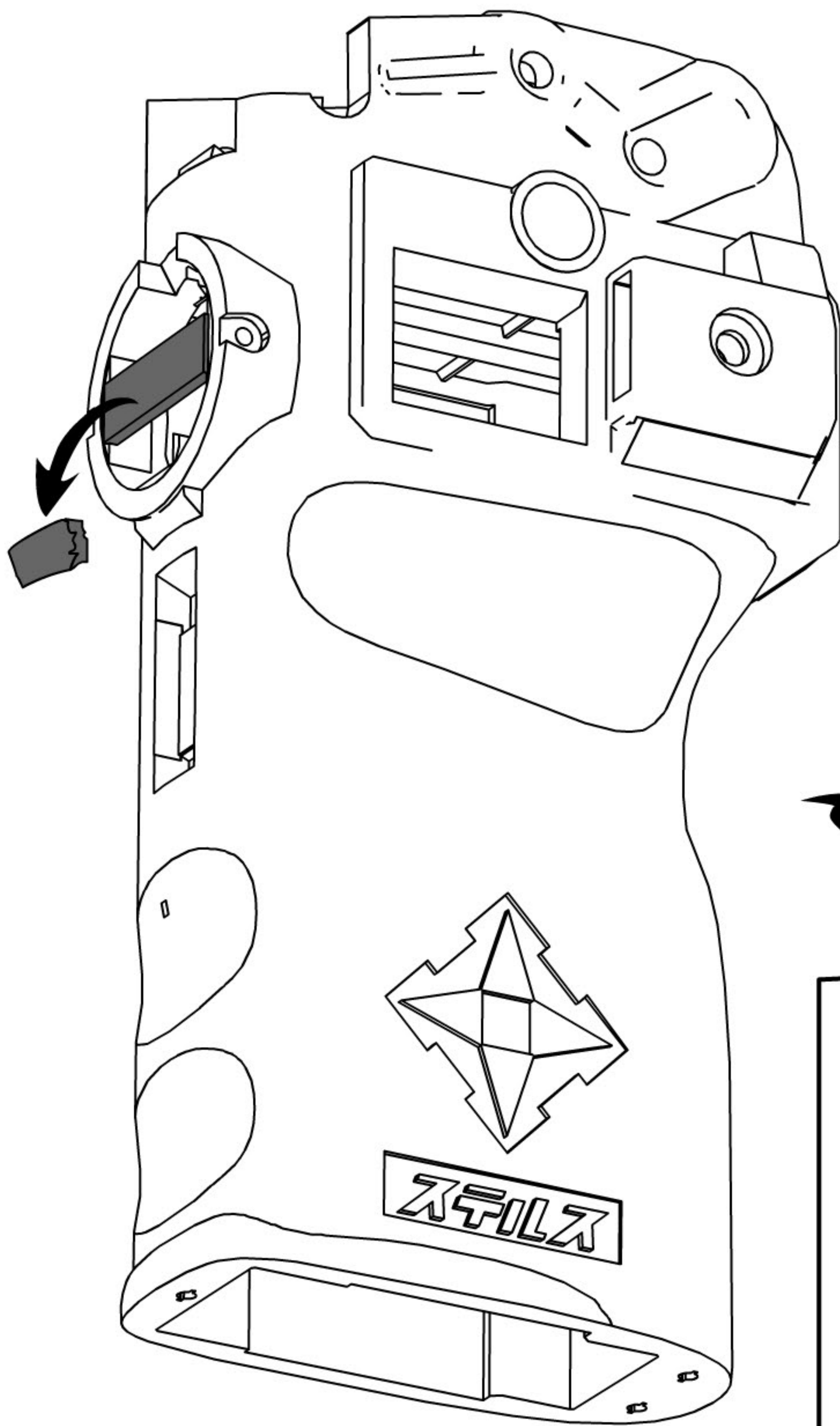
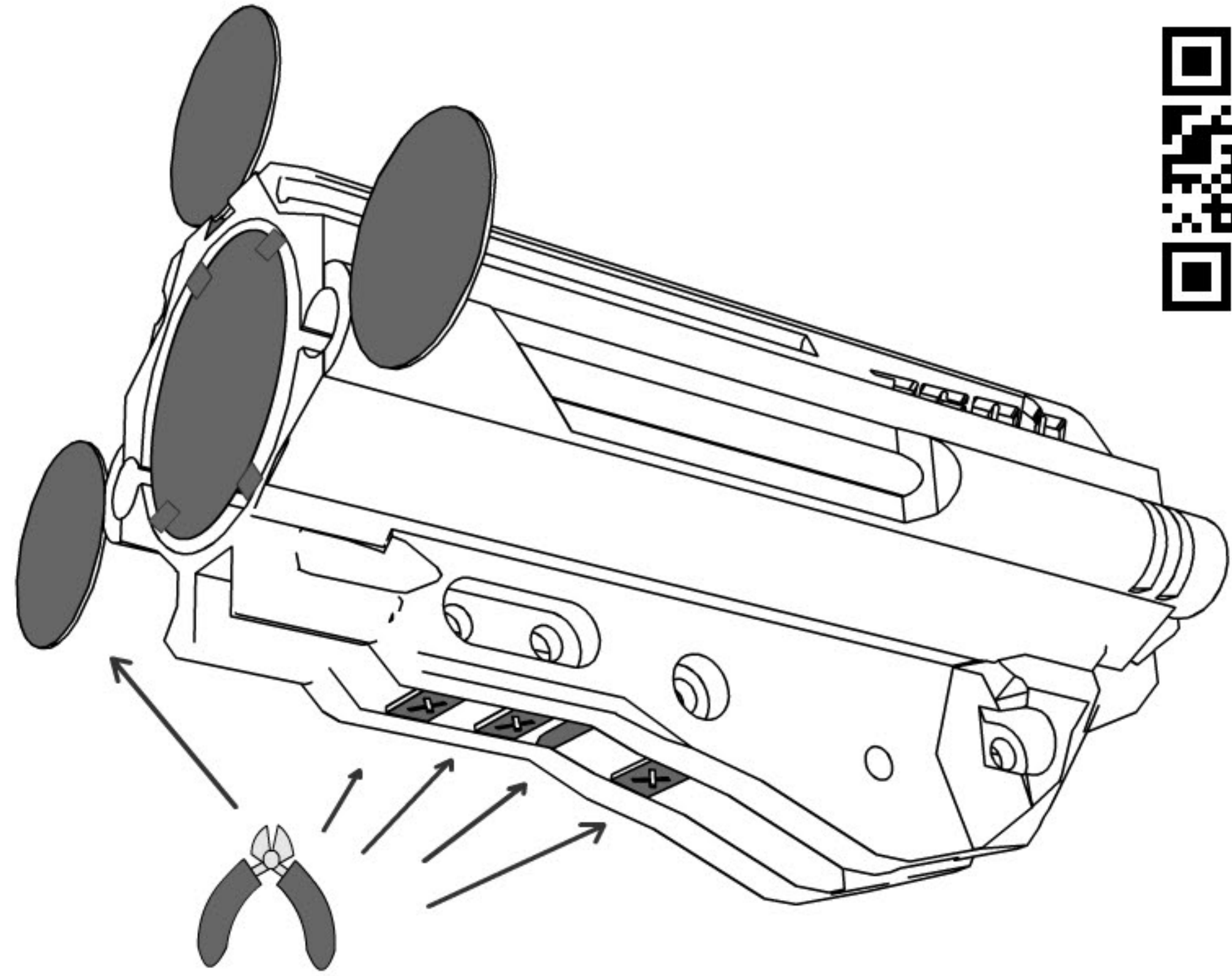
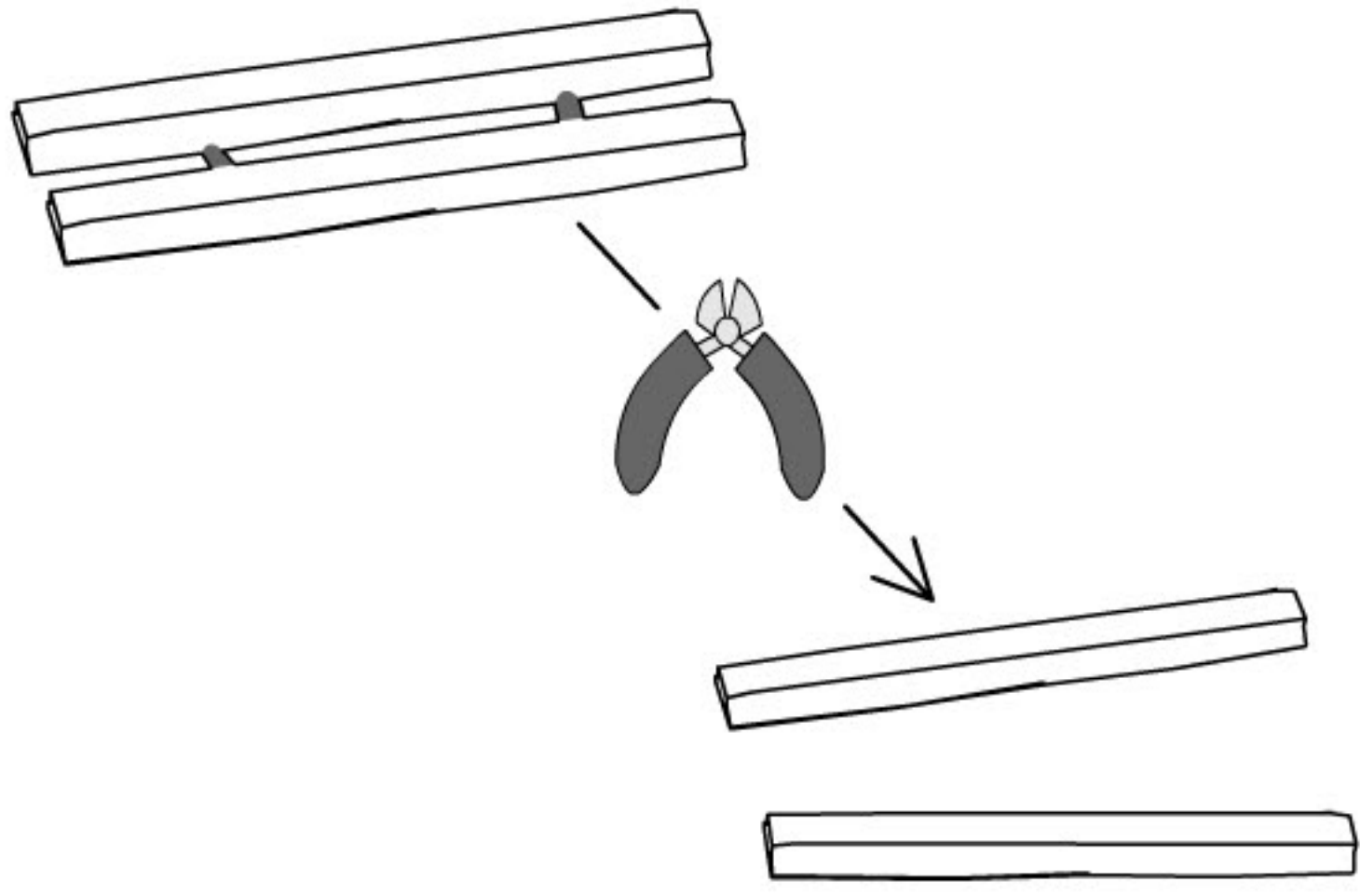
**Pentagonal
zlin-Rifling
(SCAR)**

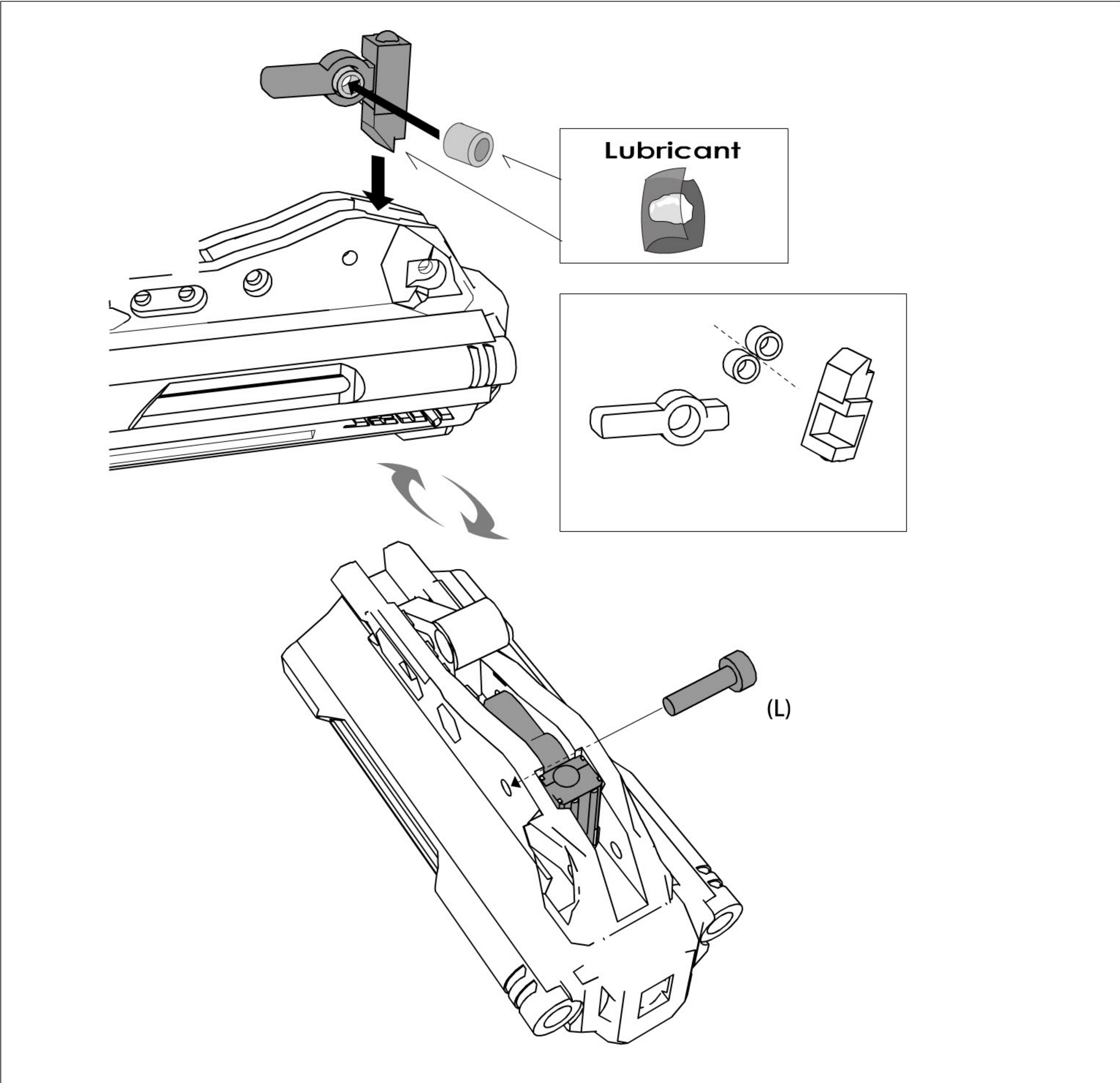
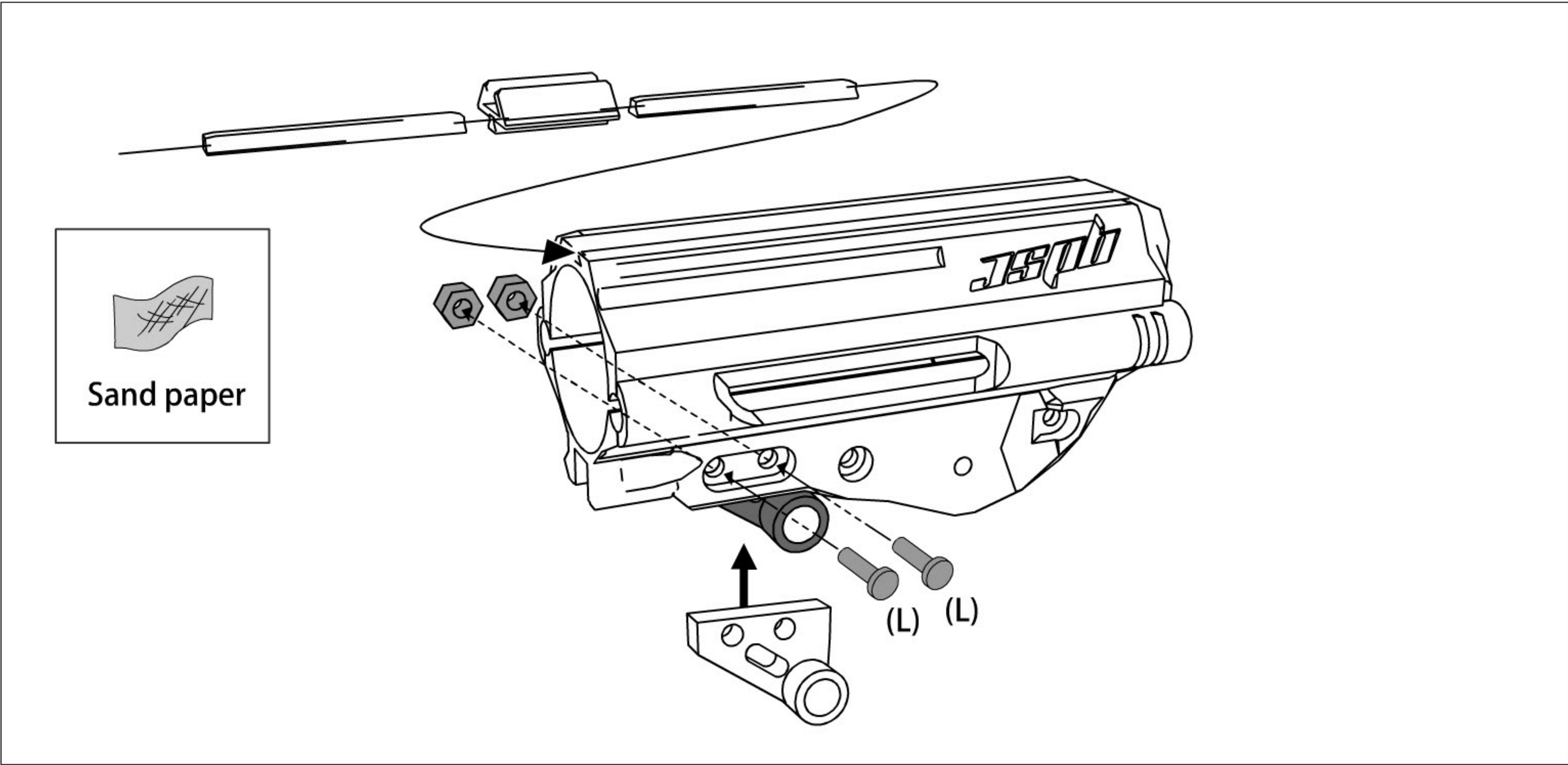


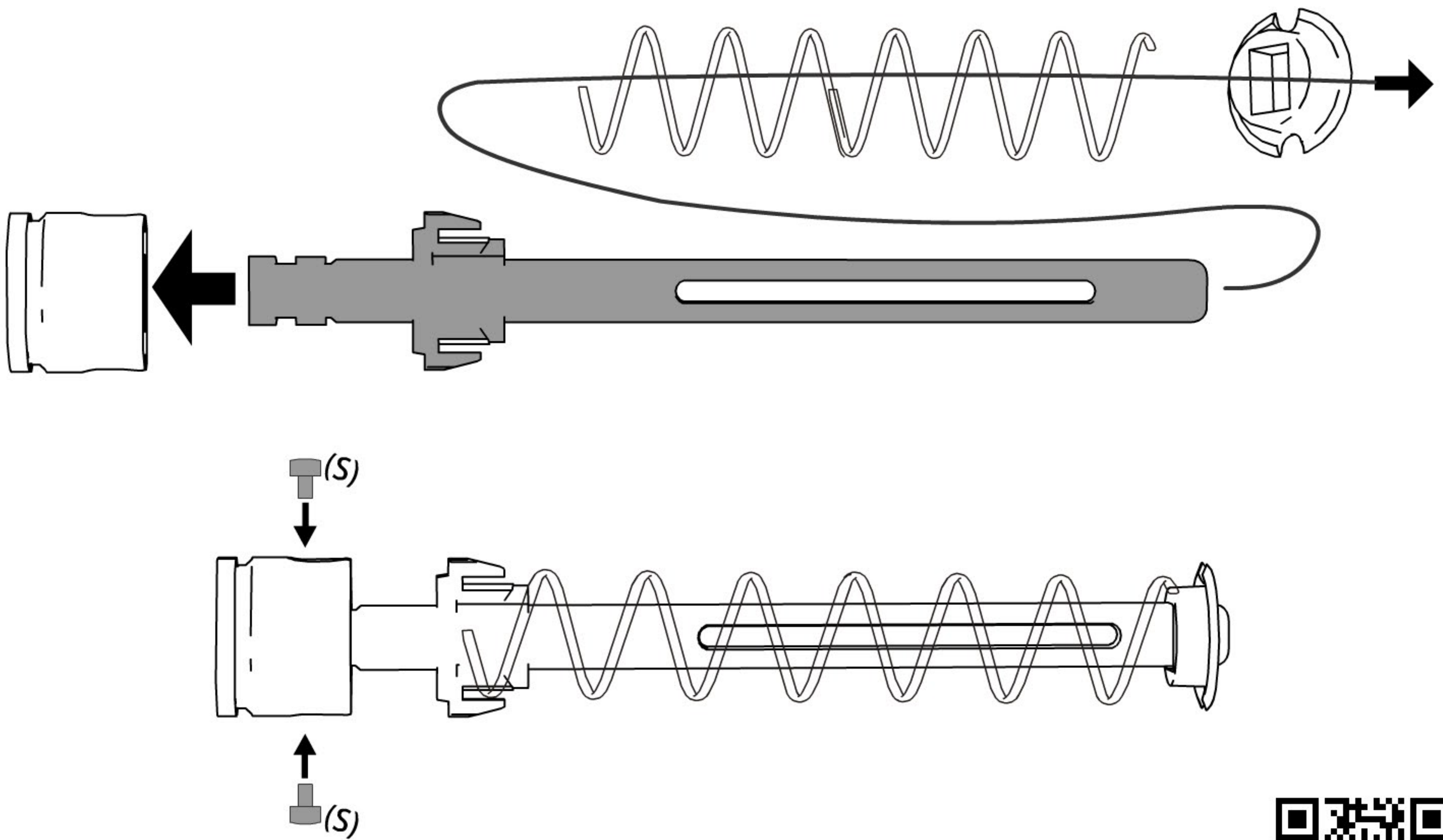
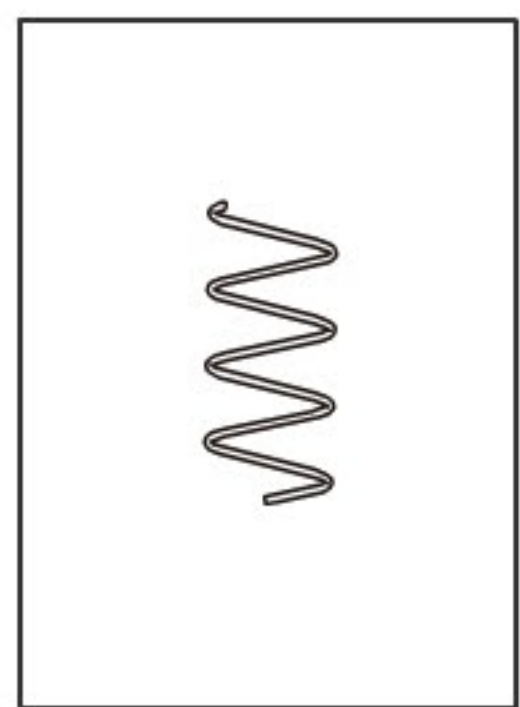
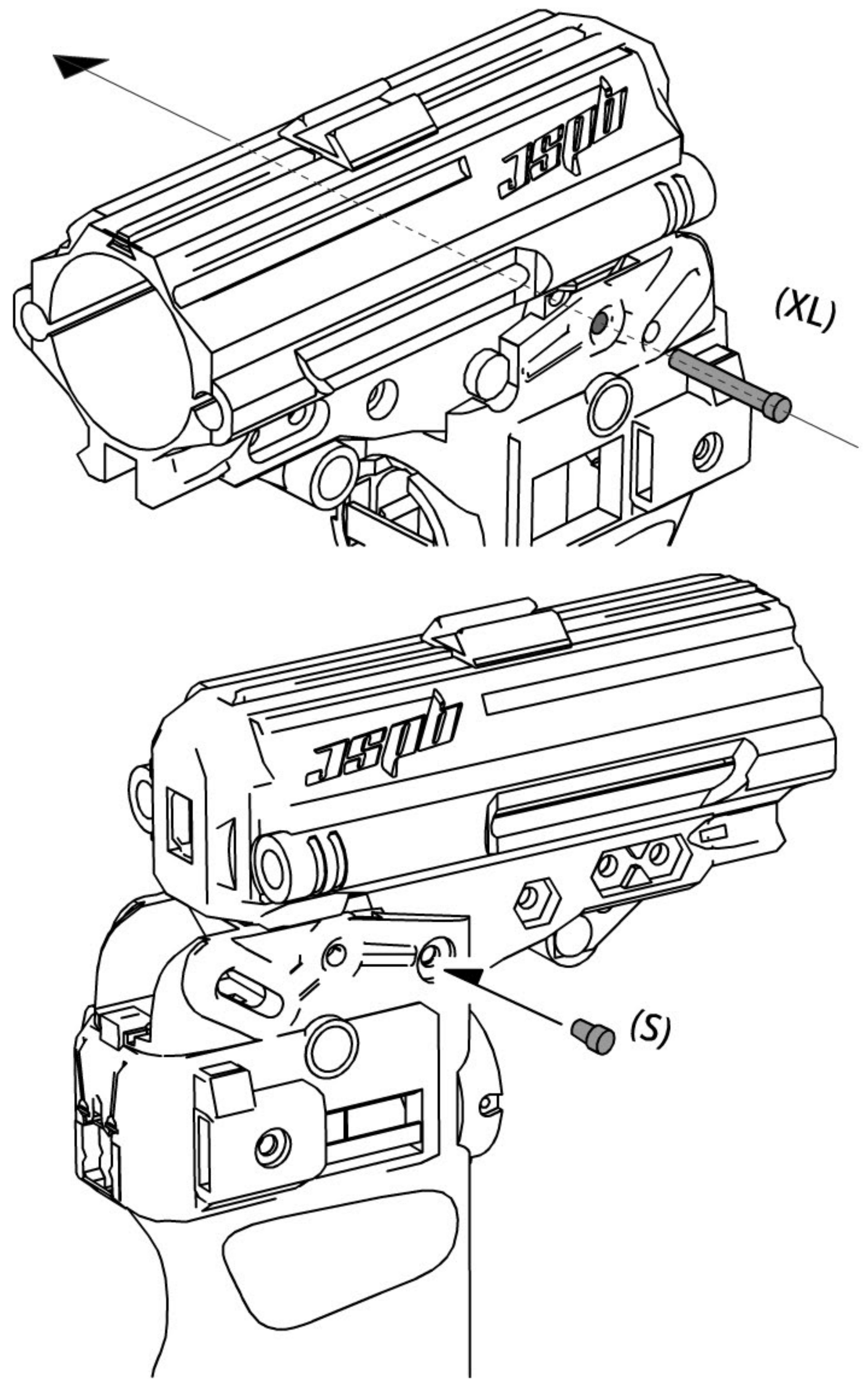
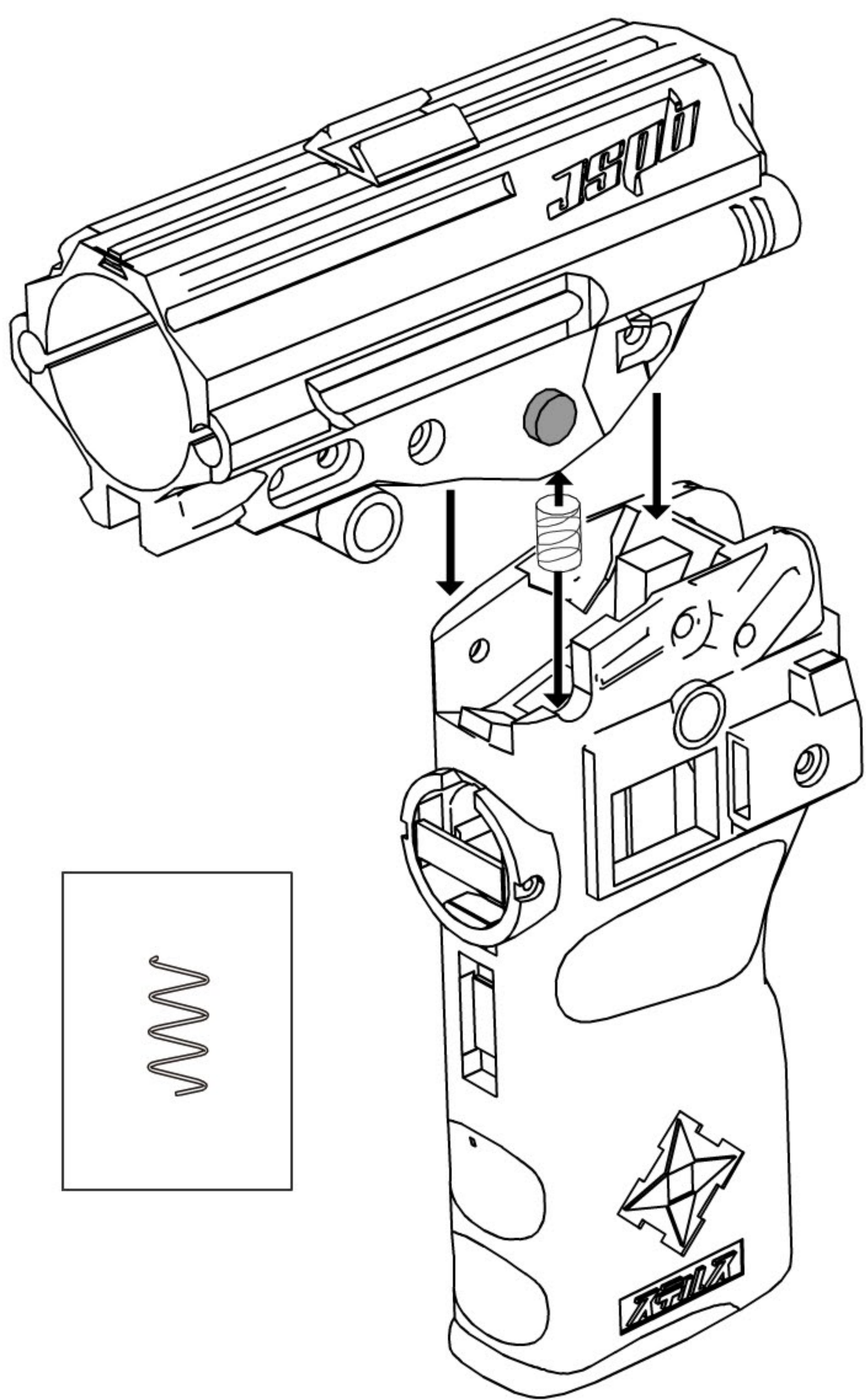
CAUTION! 注意!

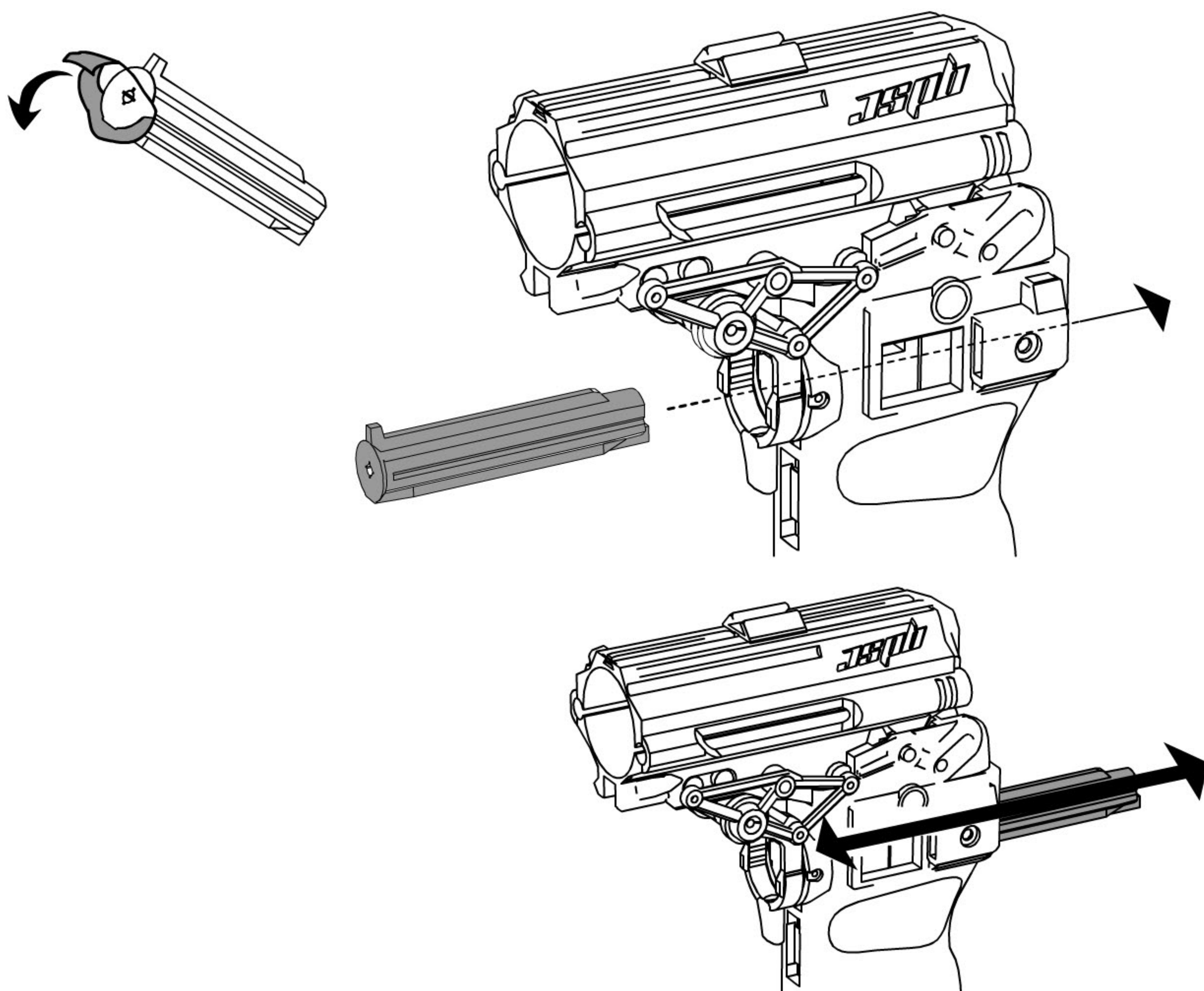
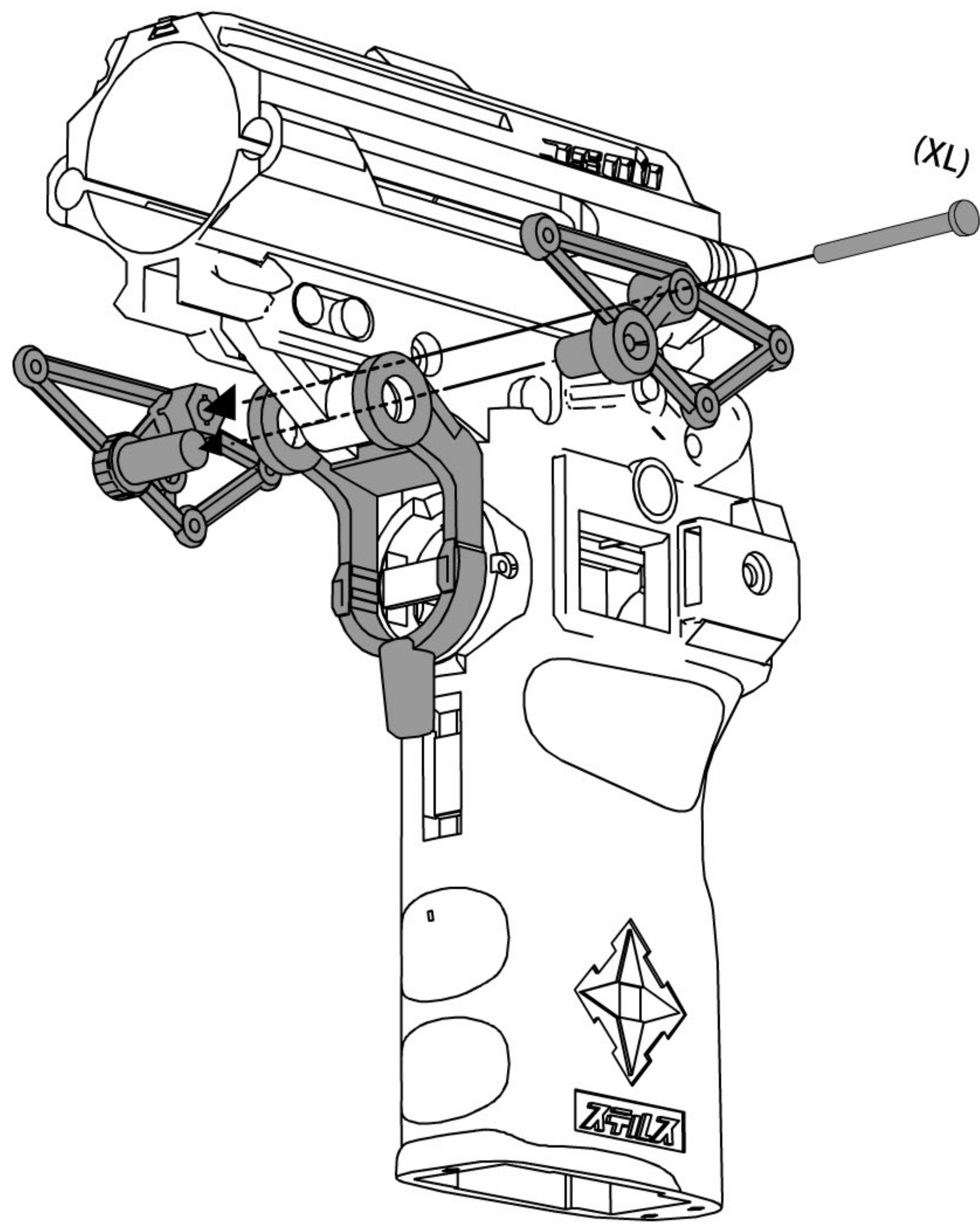


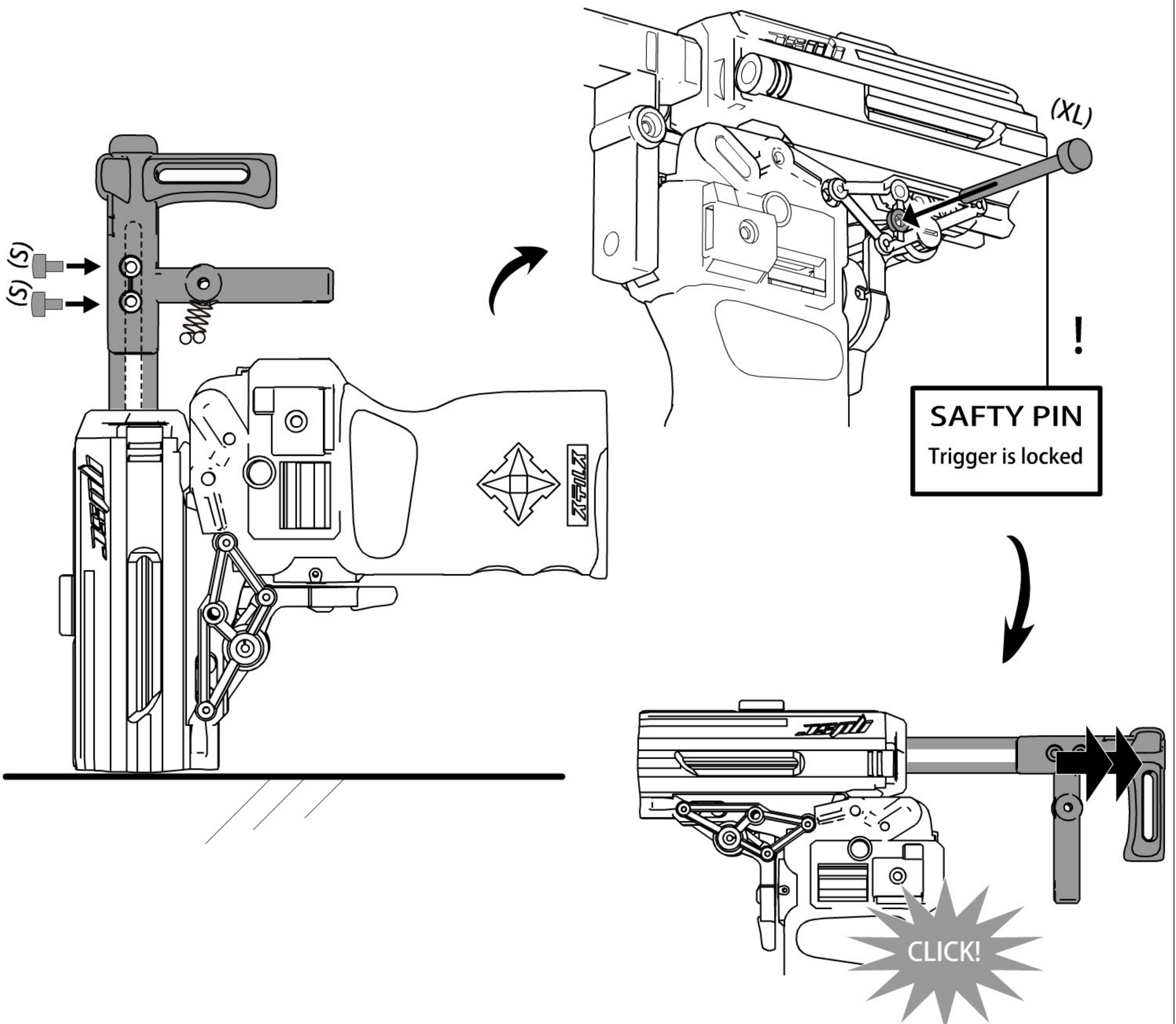
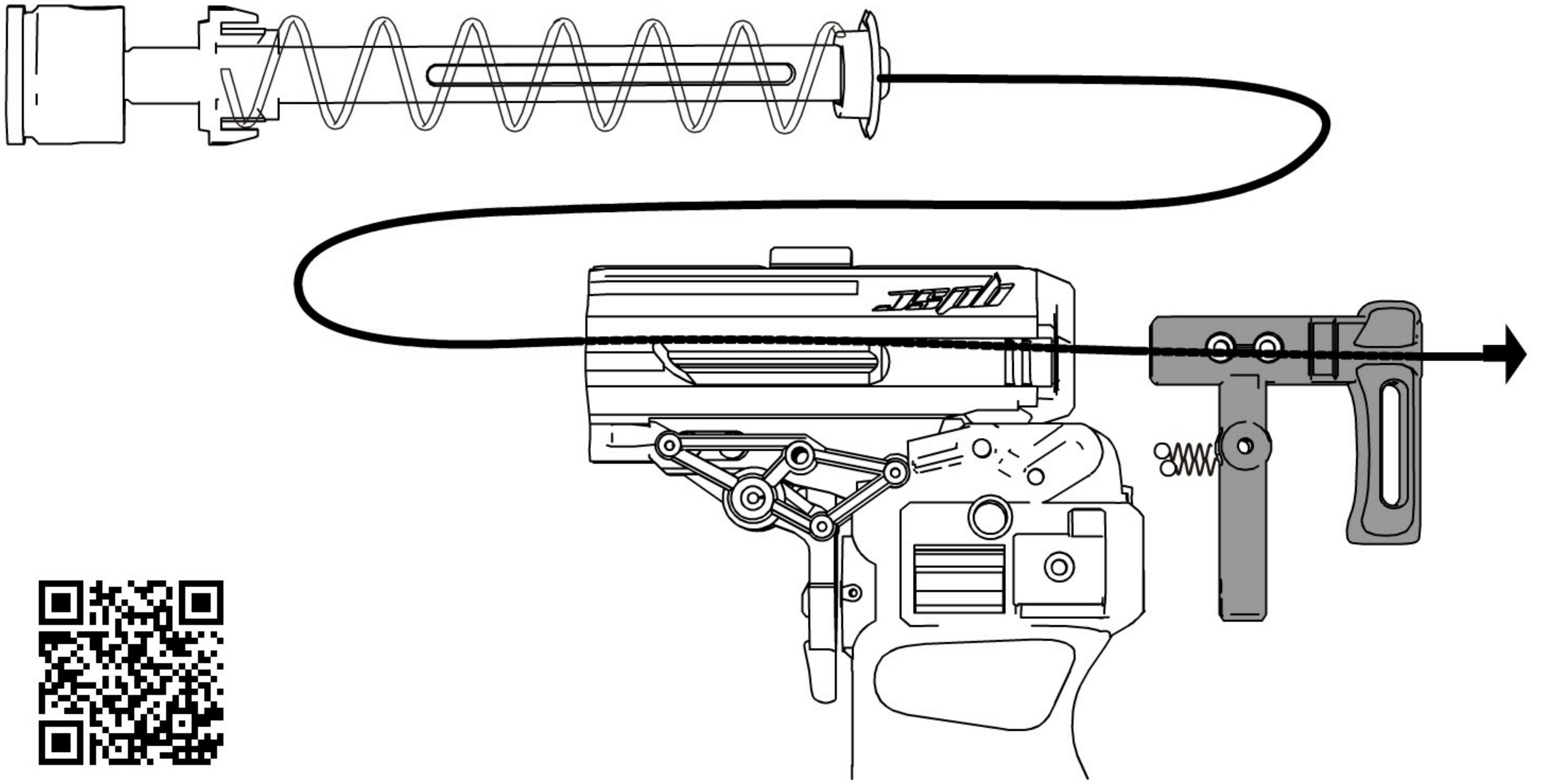
May eject plastic piece, 可能會彈射塑膠碎片,
wear goggles at all times. 請穿戴護目鏡.

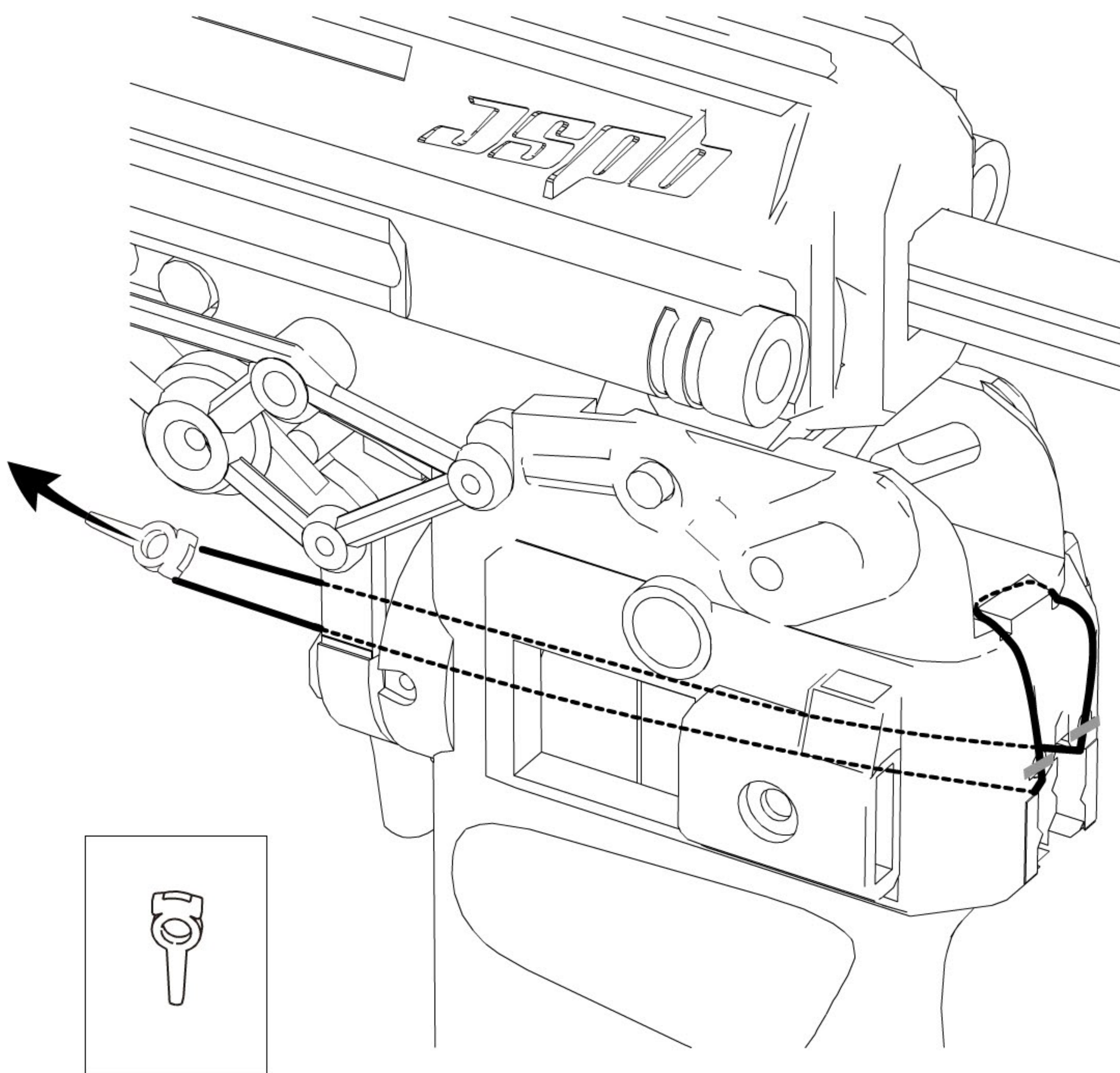
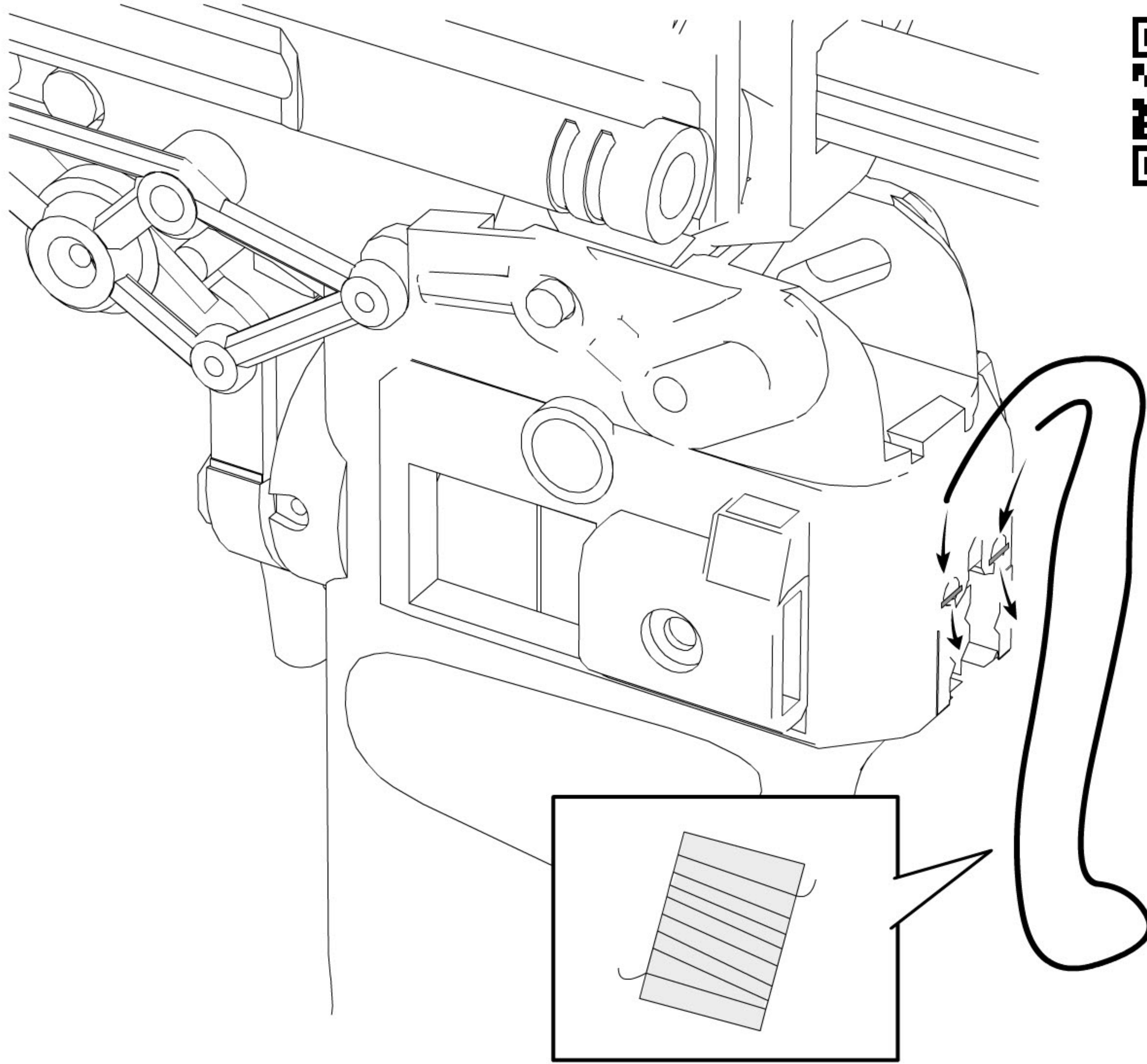


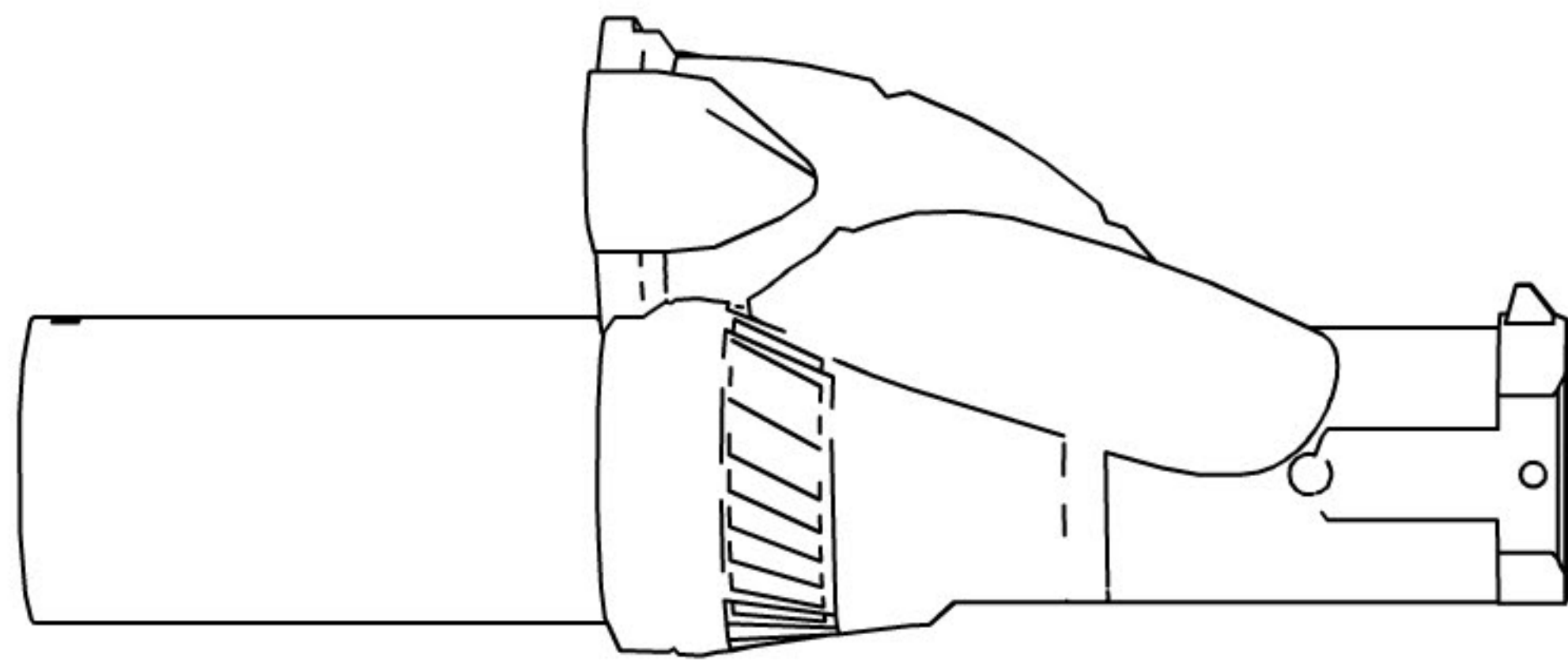




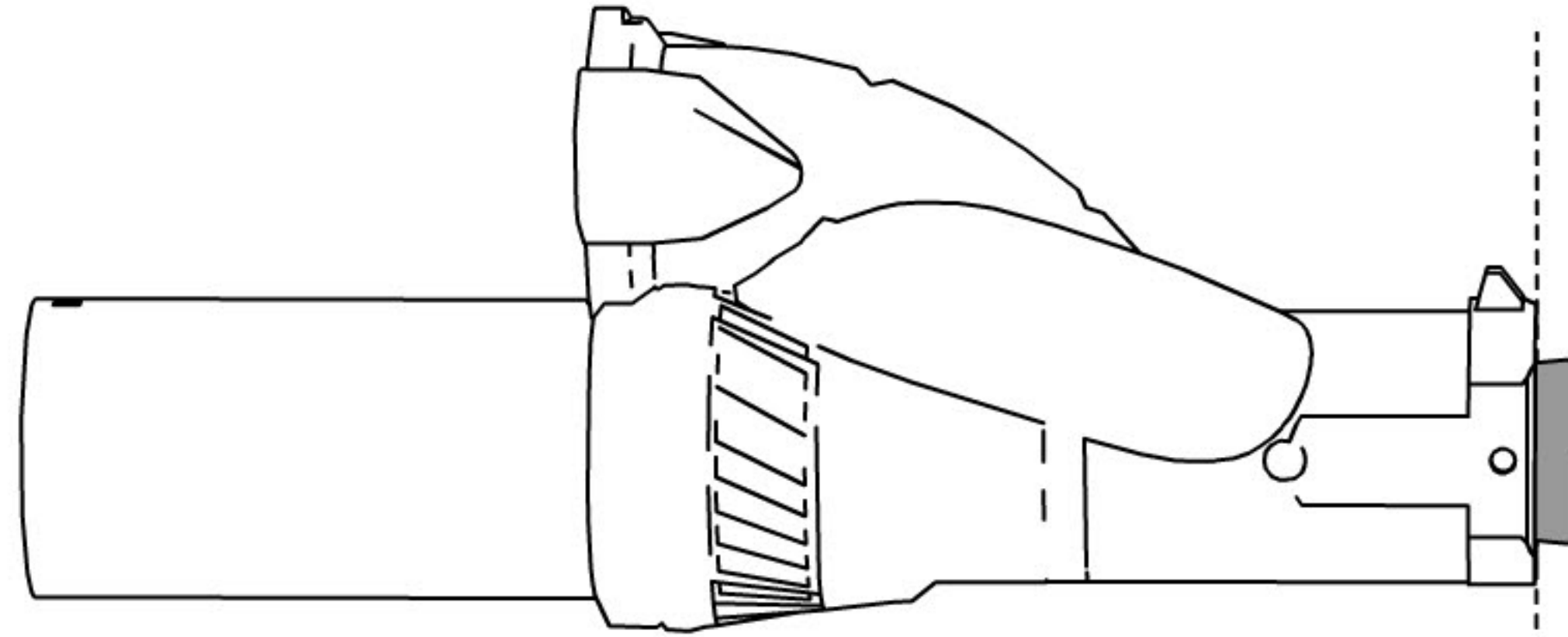
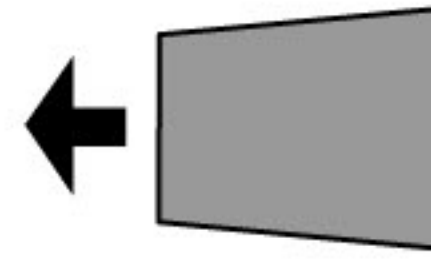




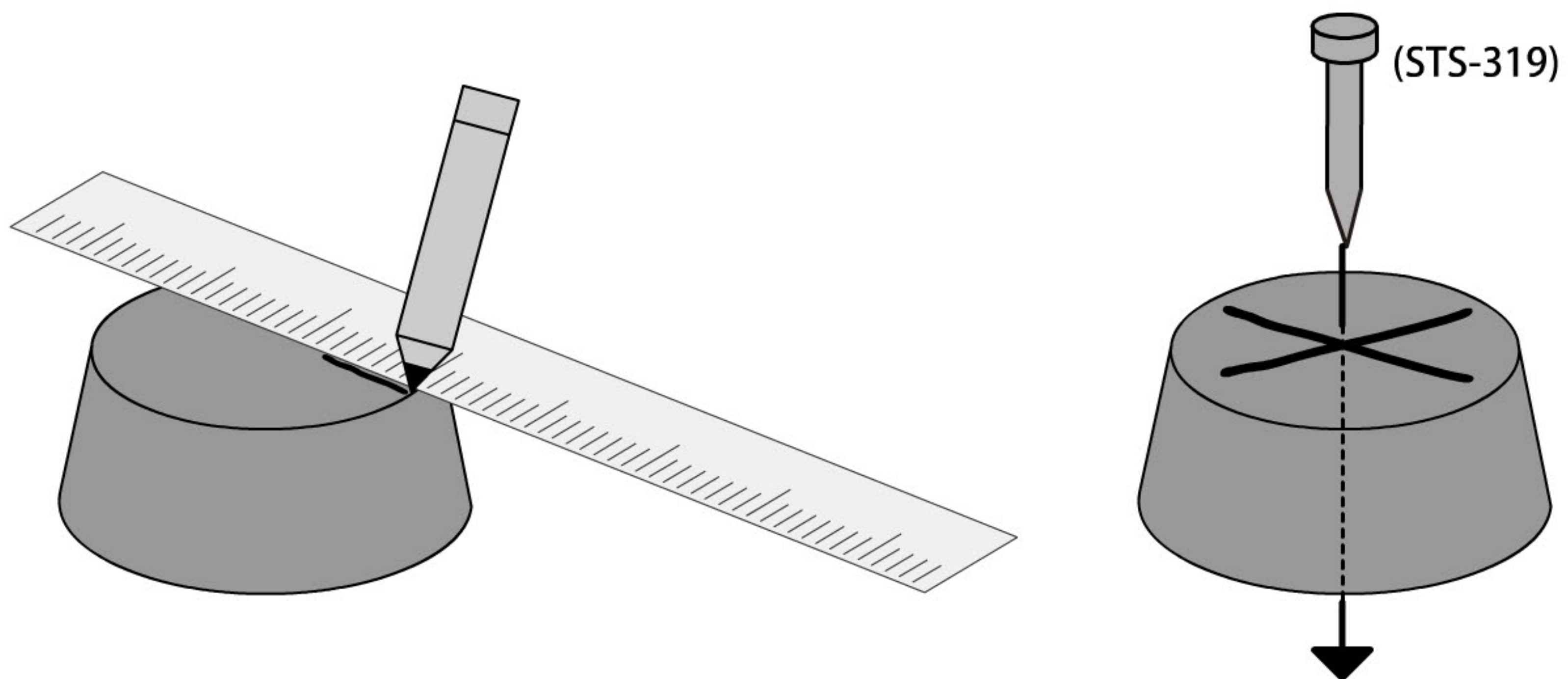
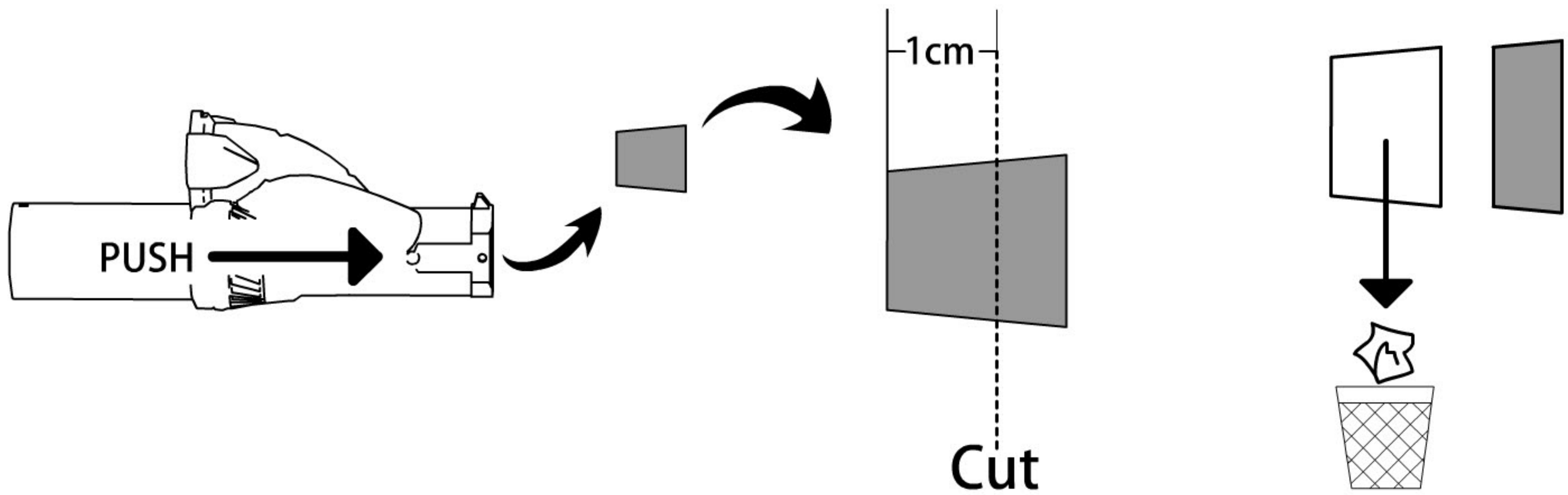
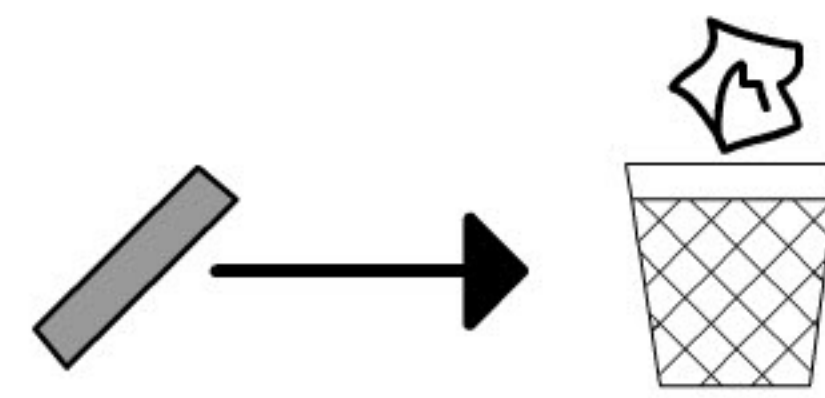
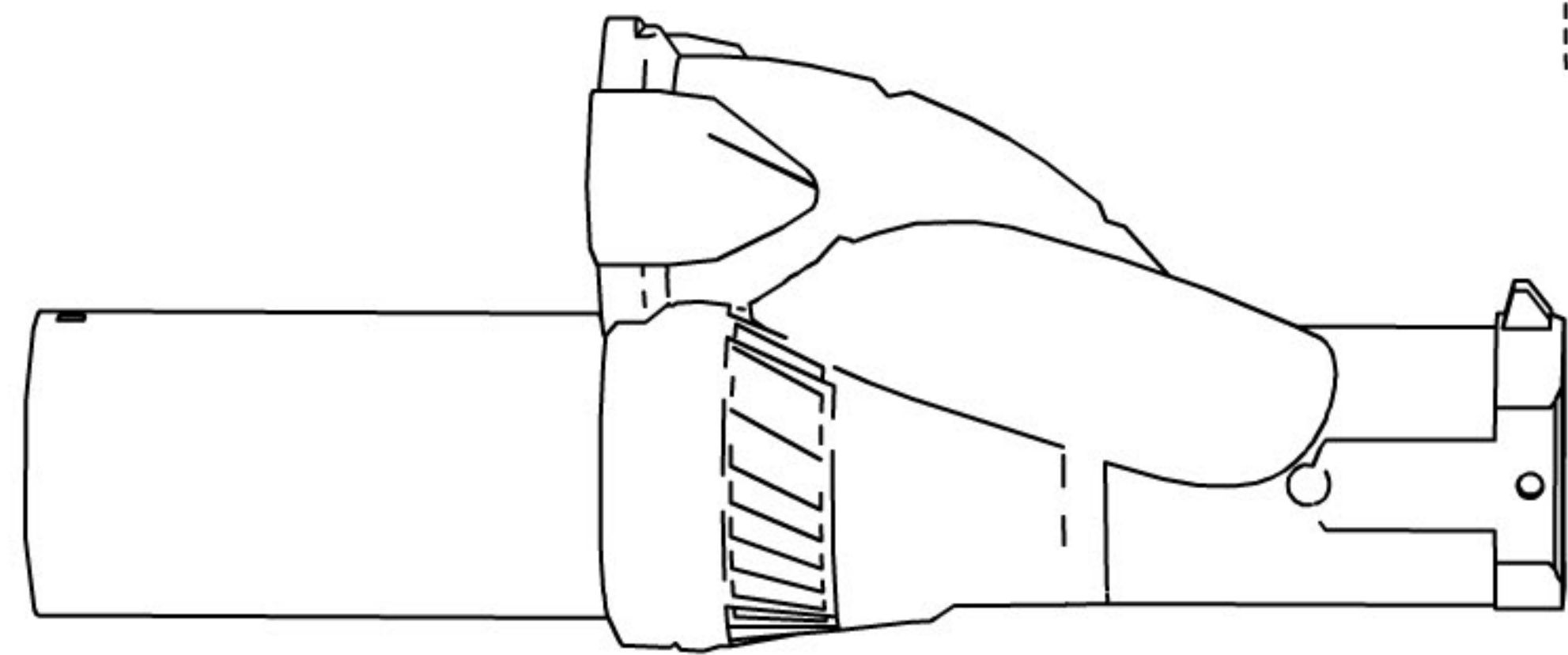


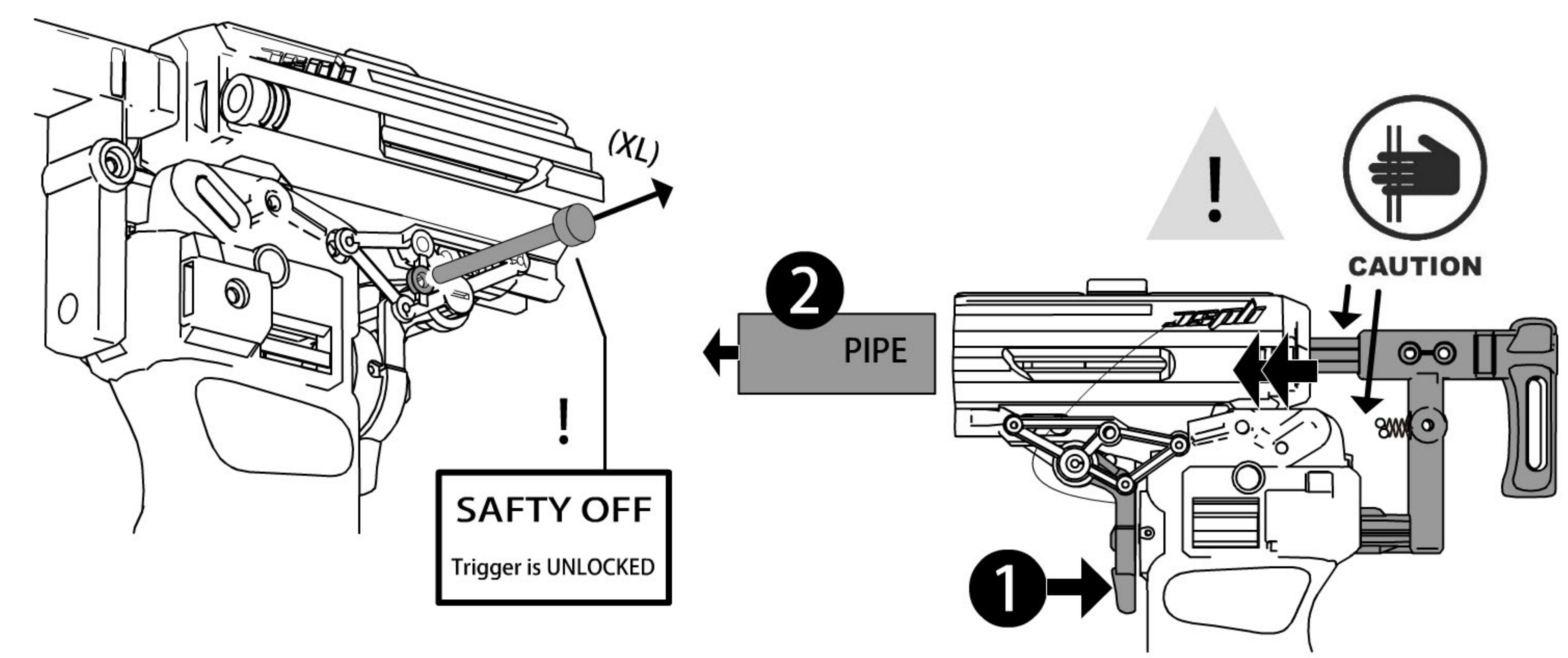
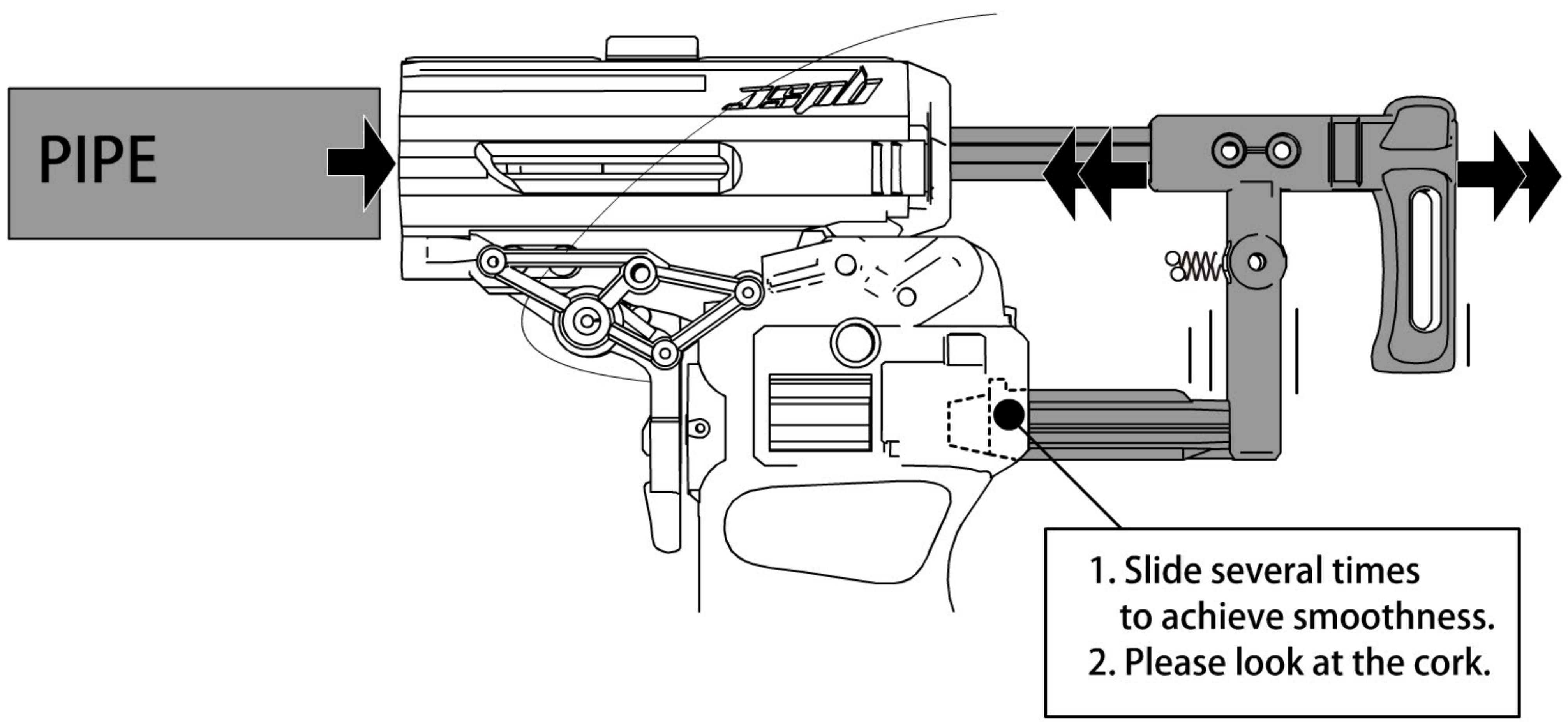
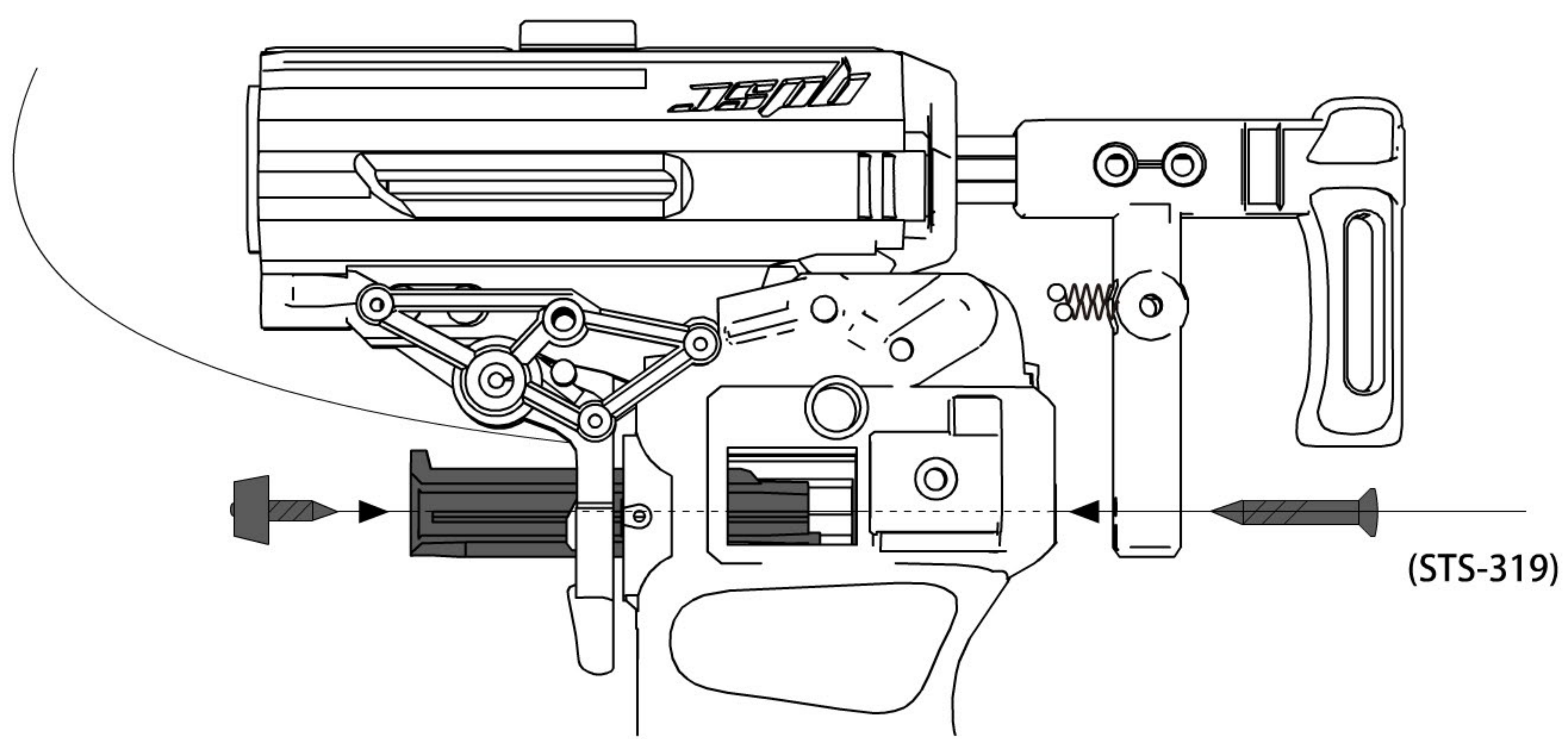


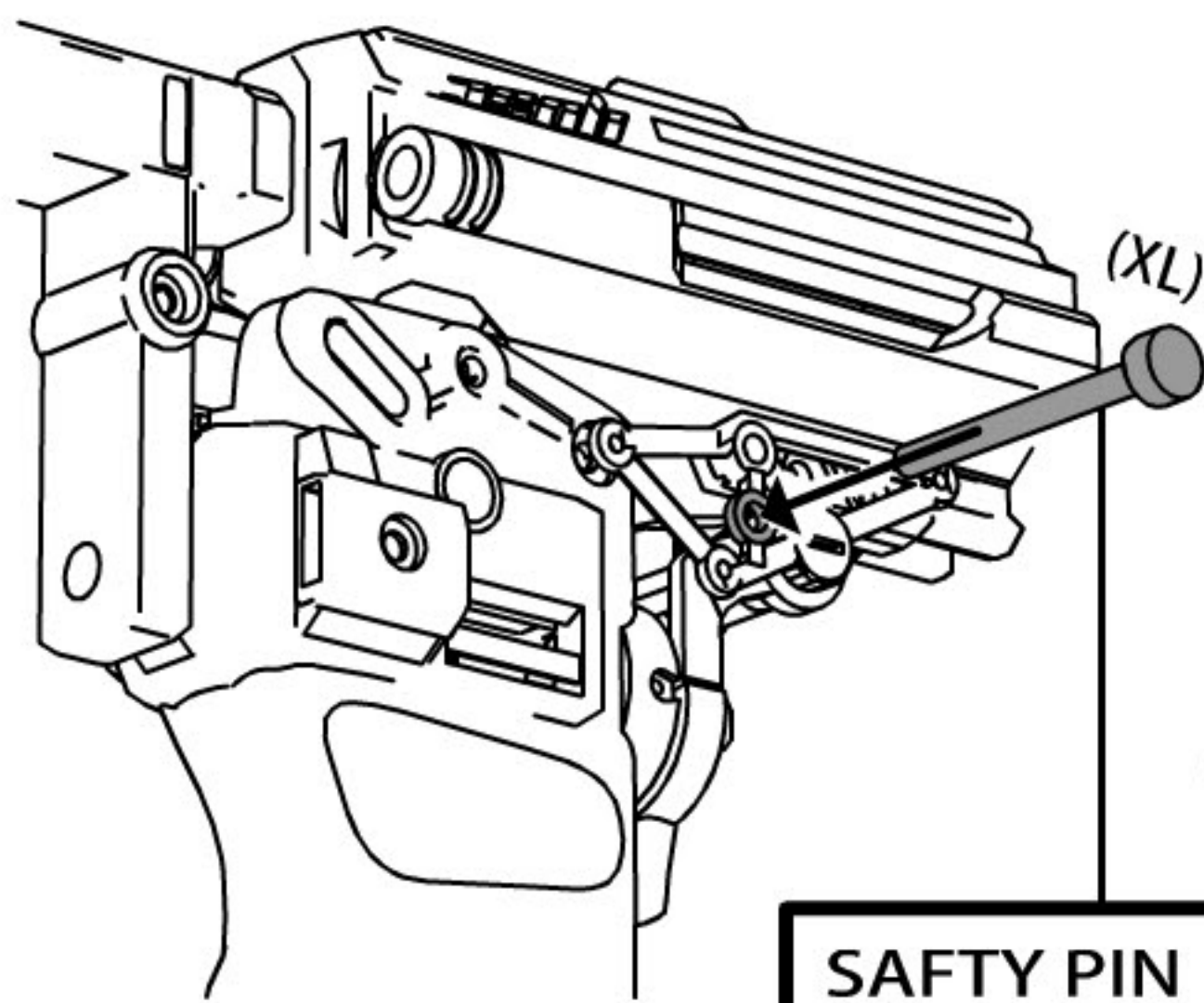
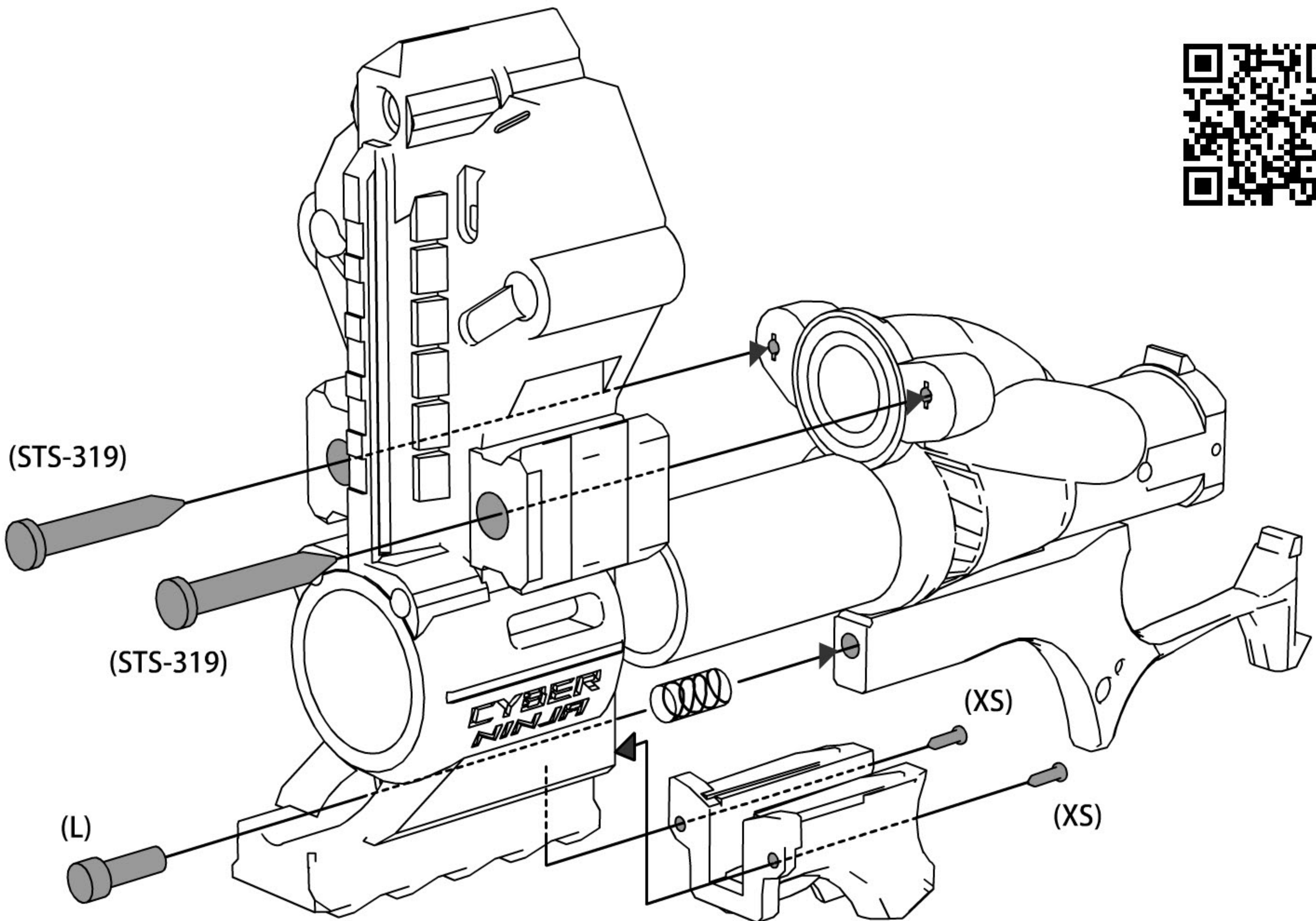
00-Cork



*Too loose: the firing force will be weaker.
*Too tight: it will not be smooth when pushing and pulling.

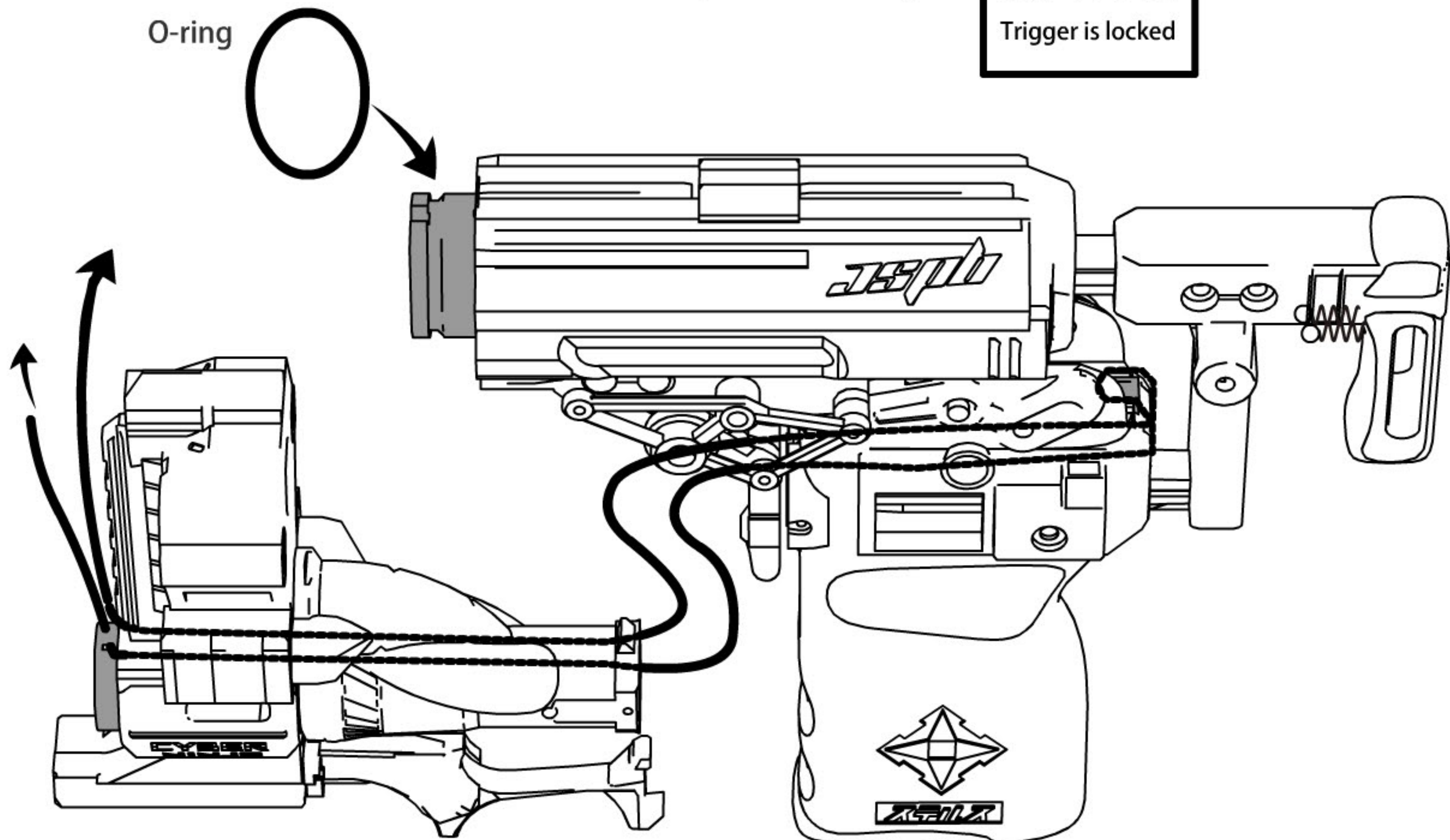




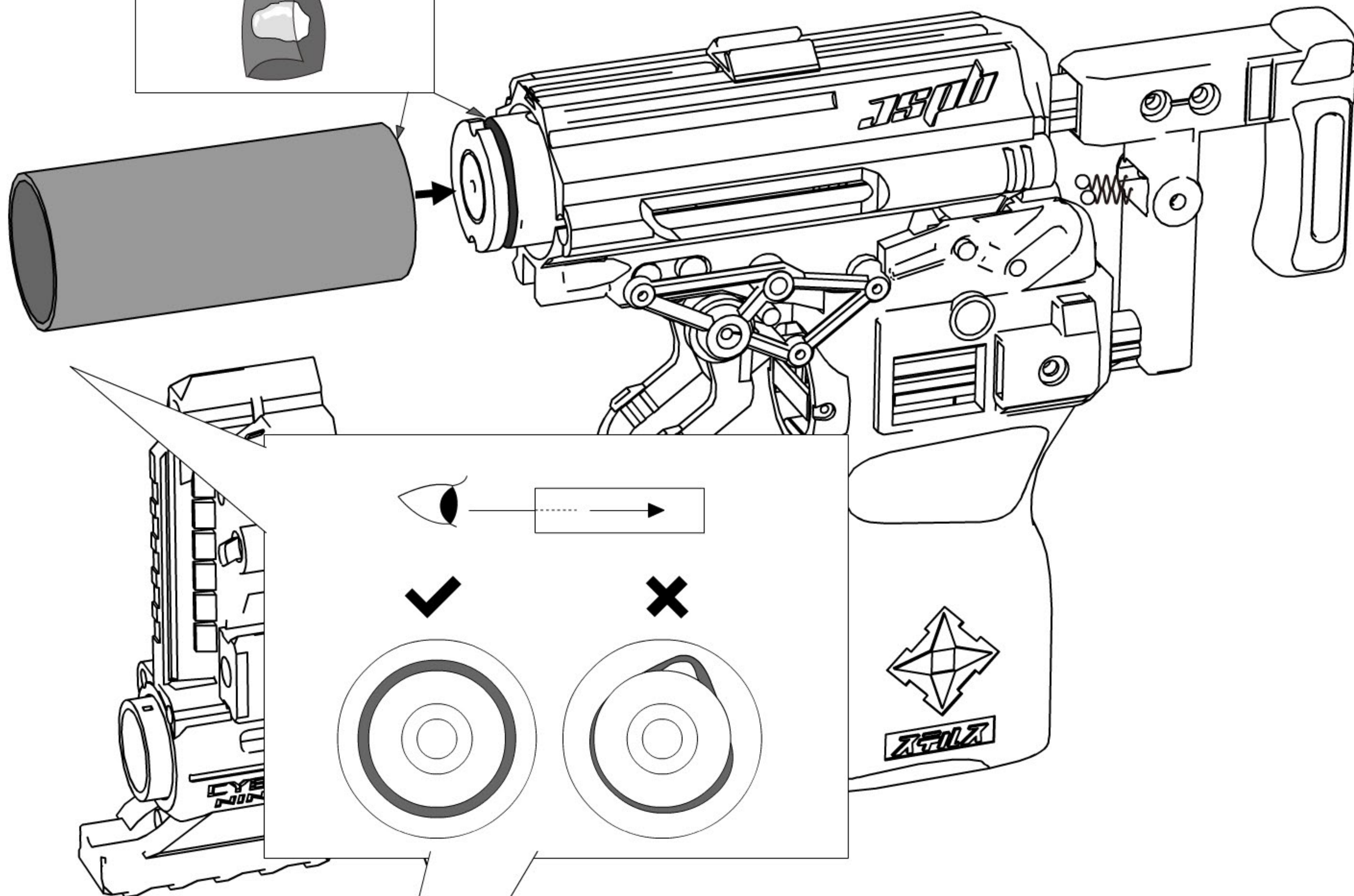


SAFTY PIN
Trigger is locked

O-ring

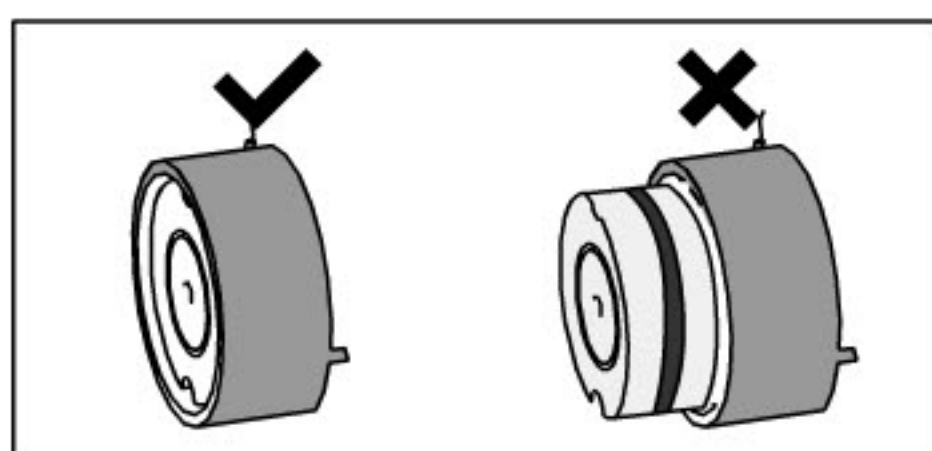


Lubricant



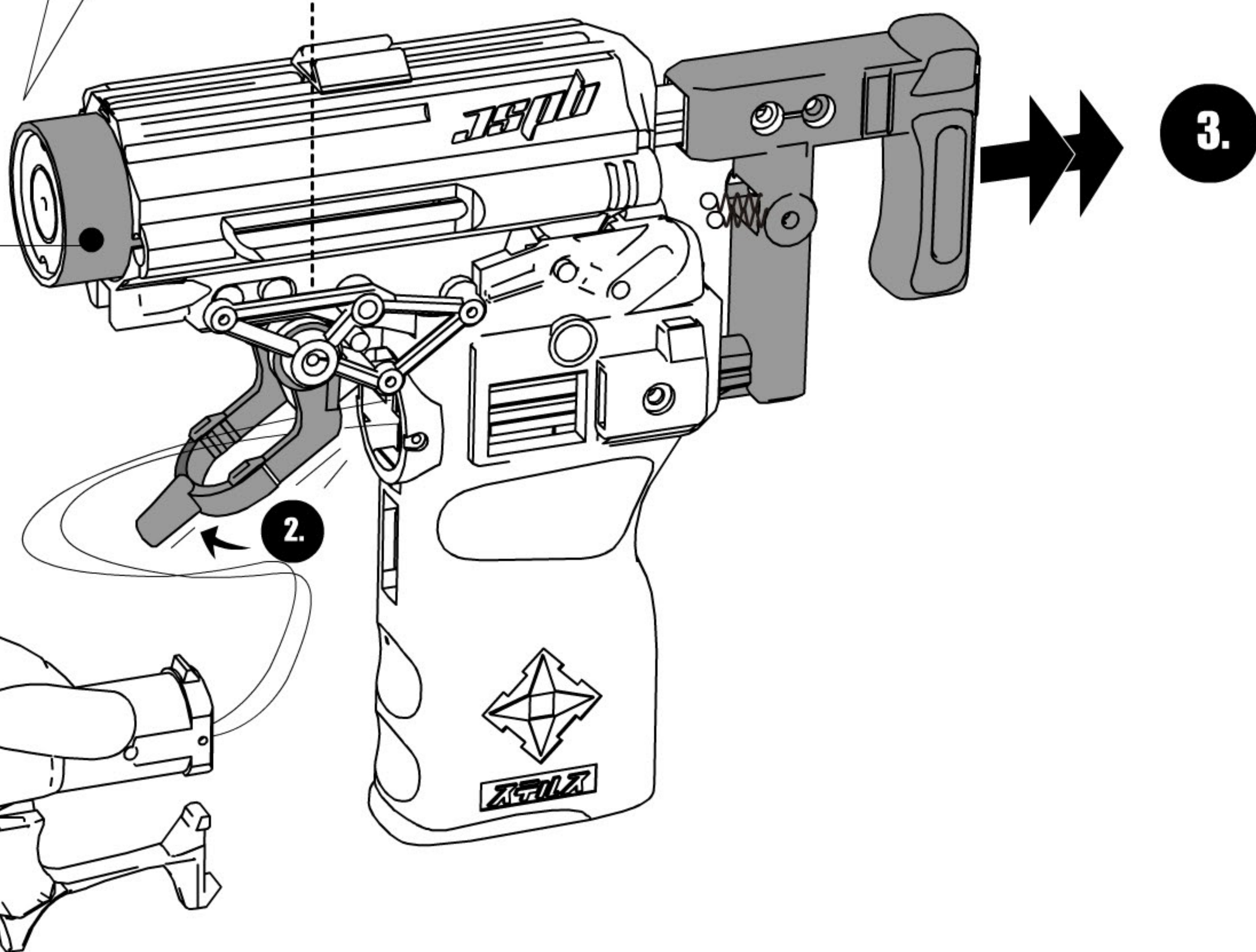
! SAFTY IS ON !

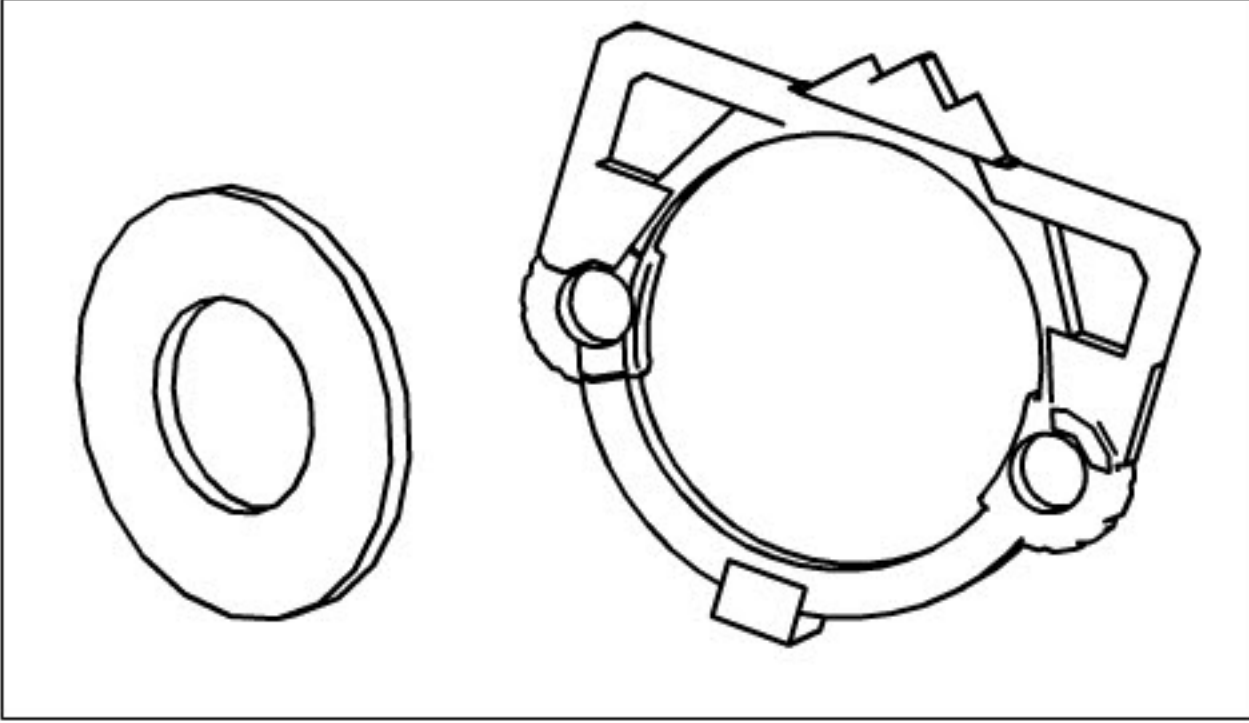
Trigger is locked



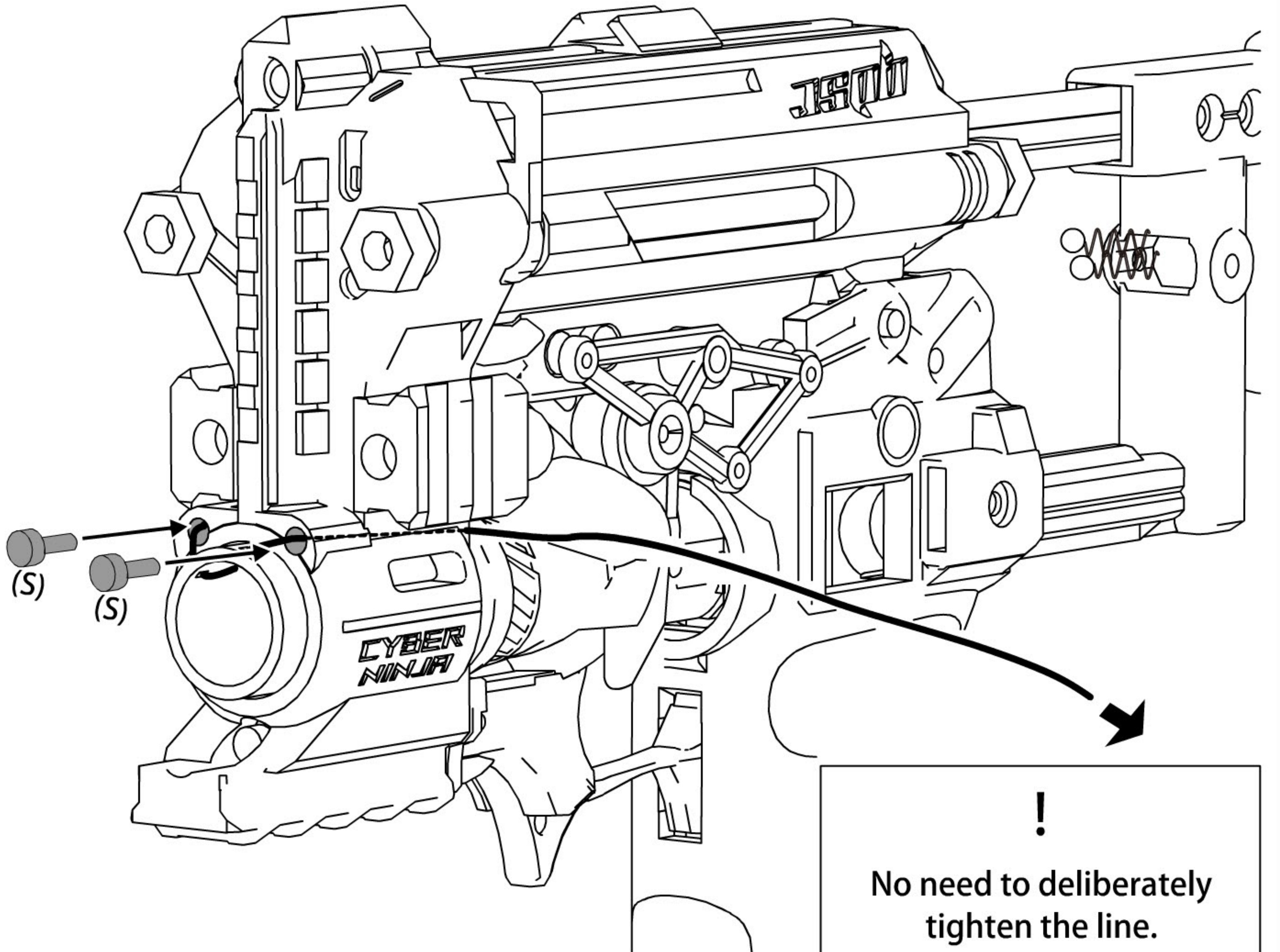
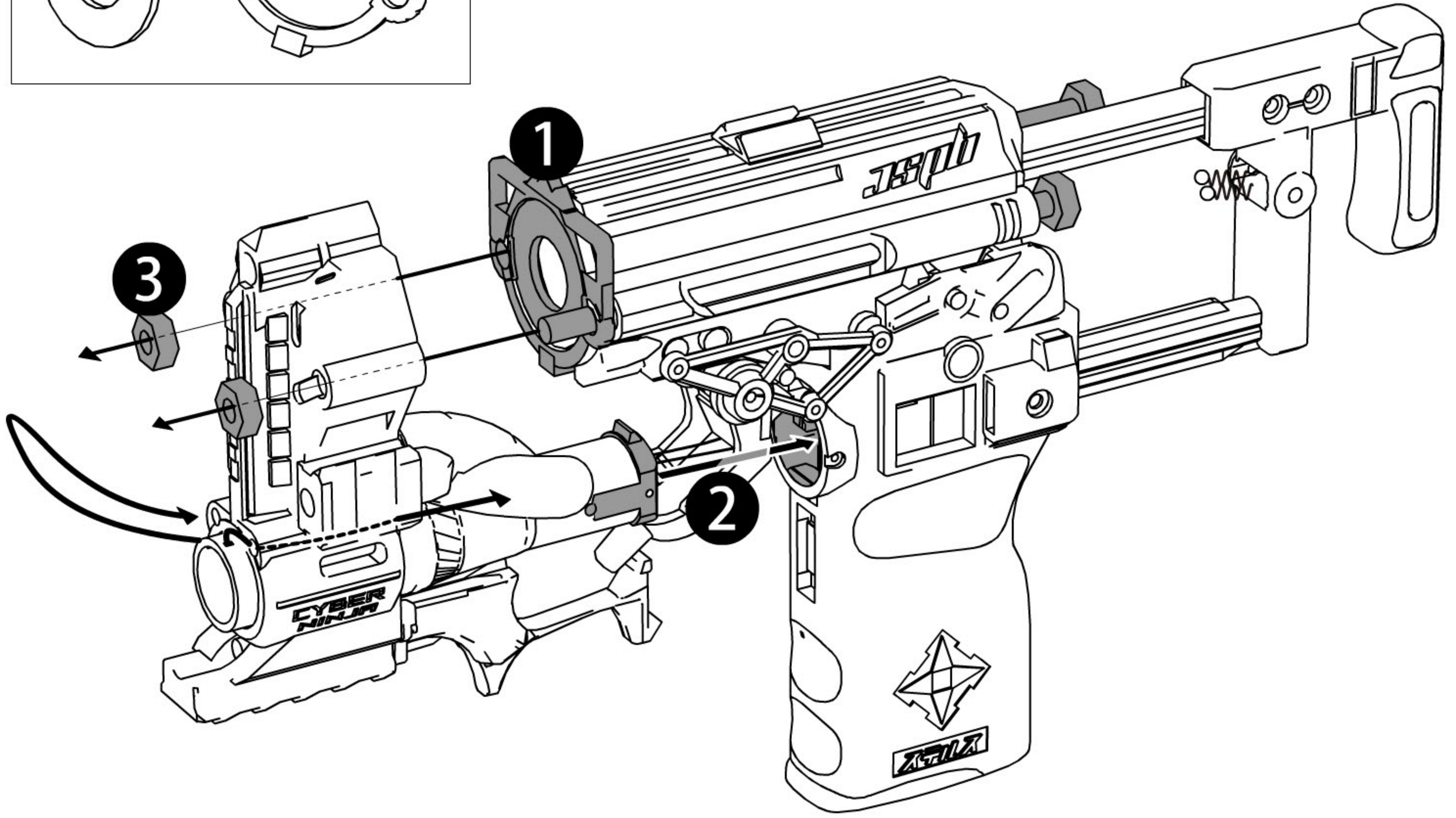
1

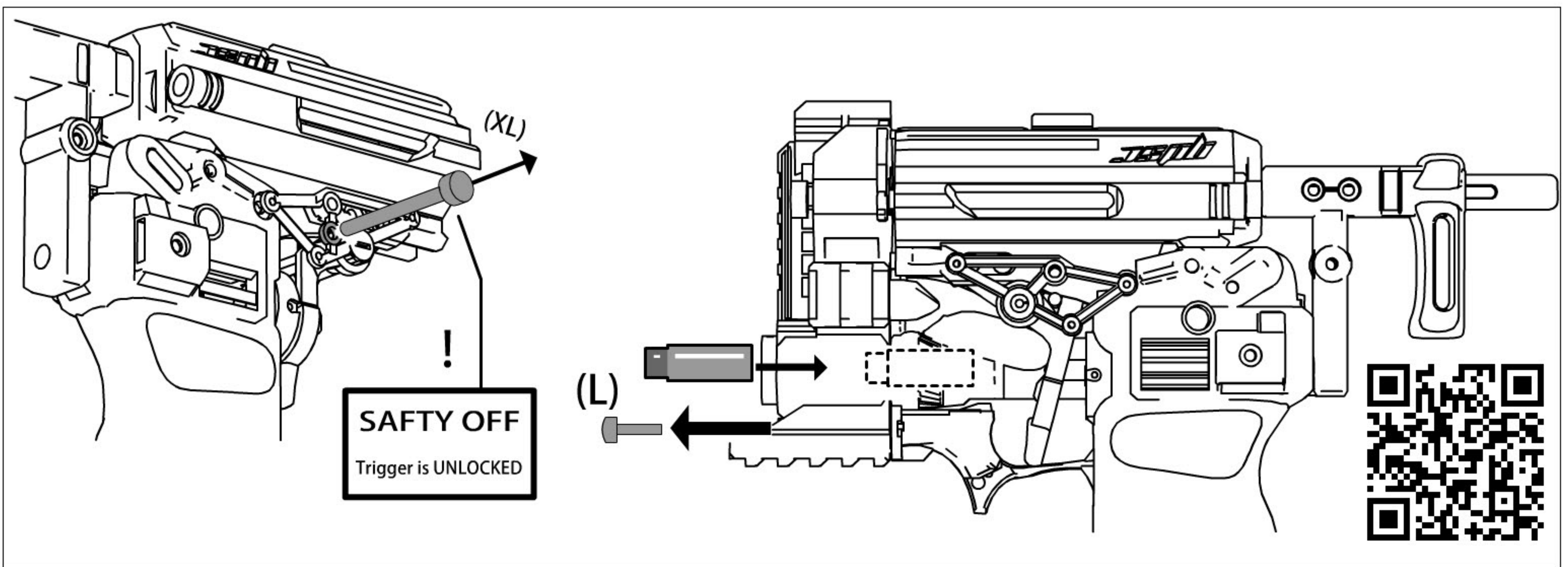
PIPE In this position,
Don't push too much.



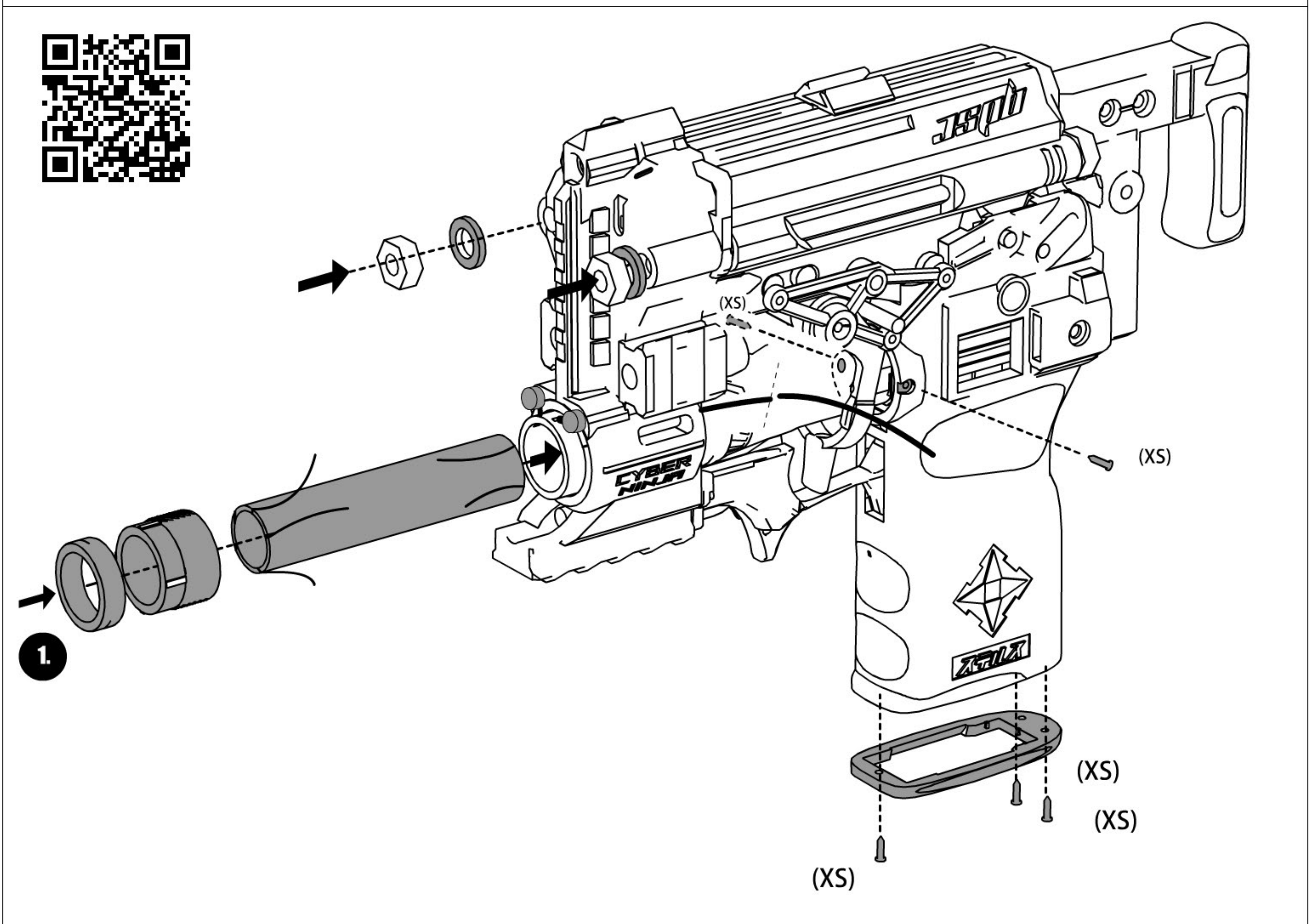
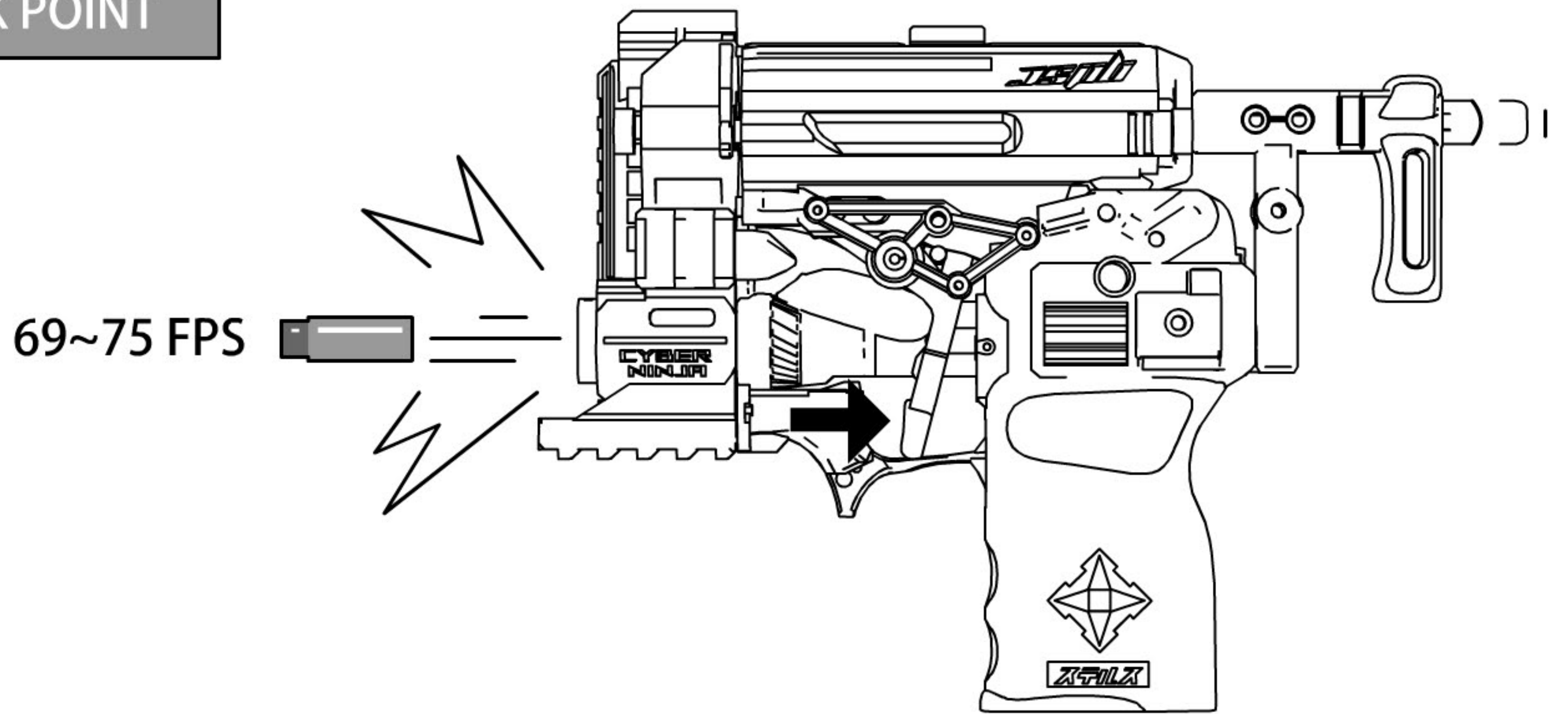


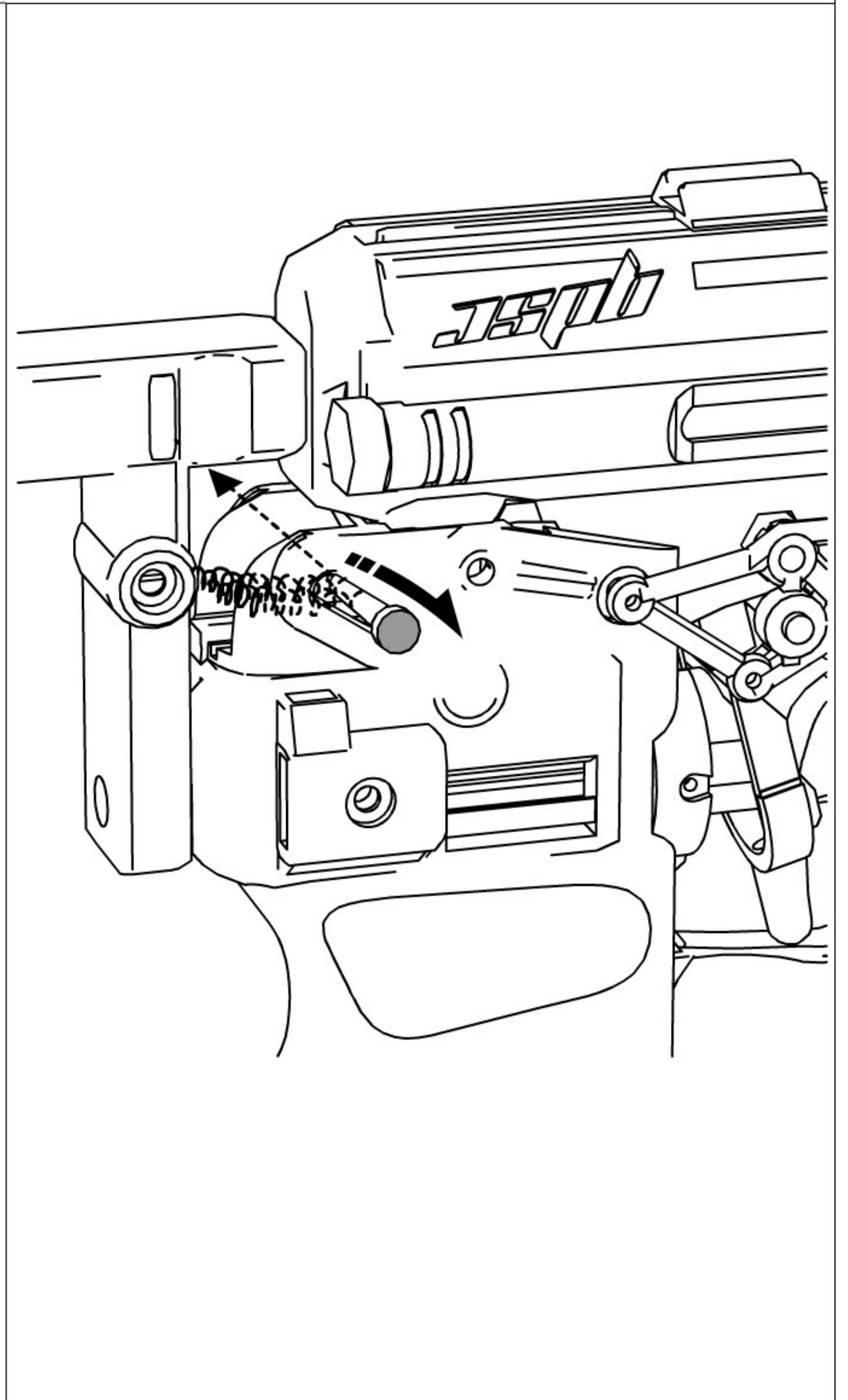
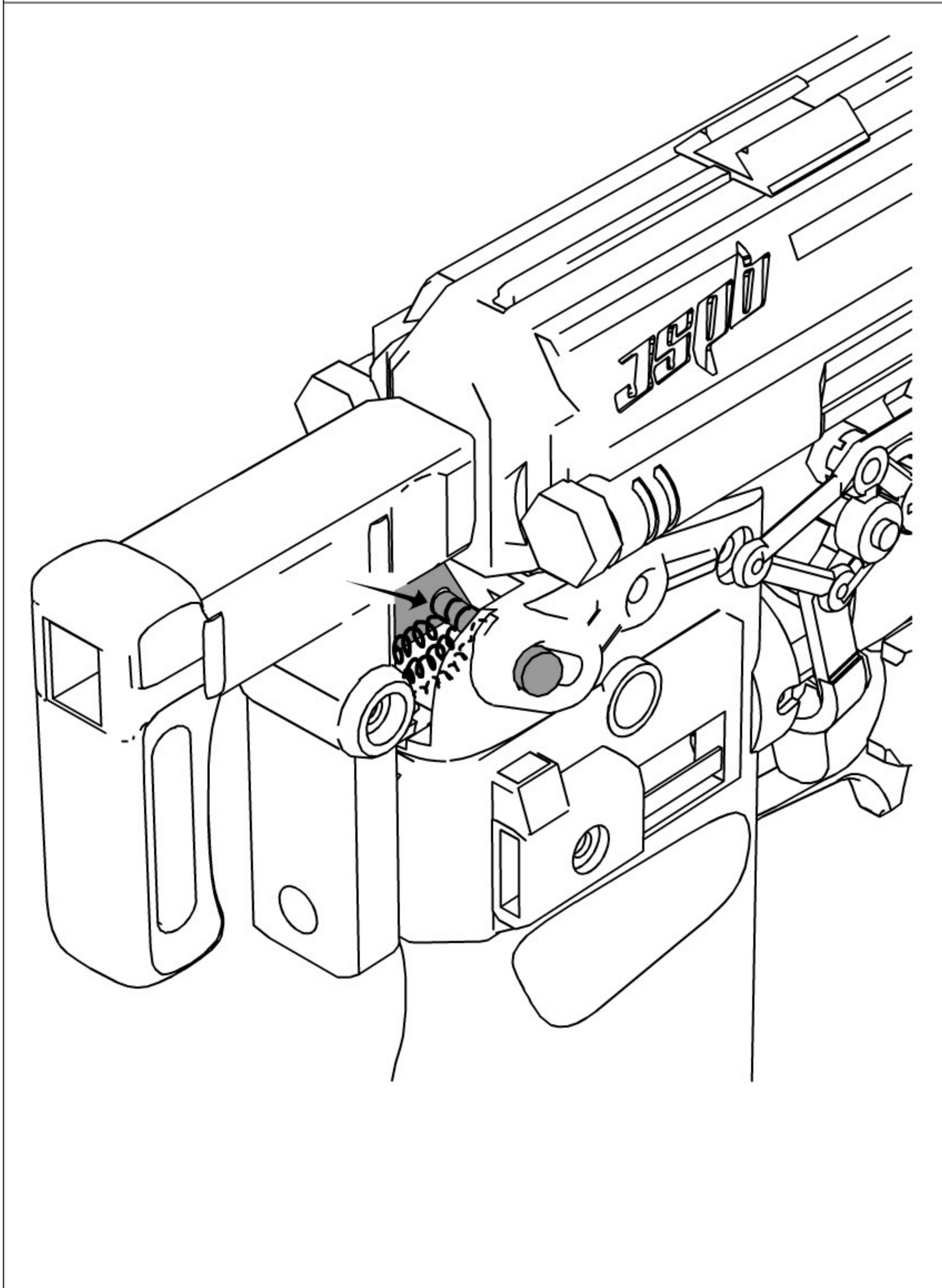
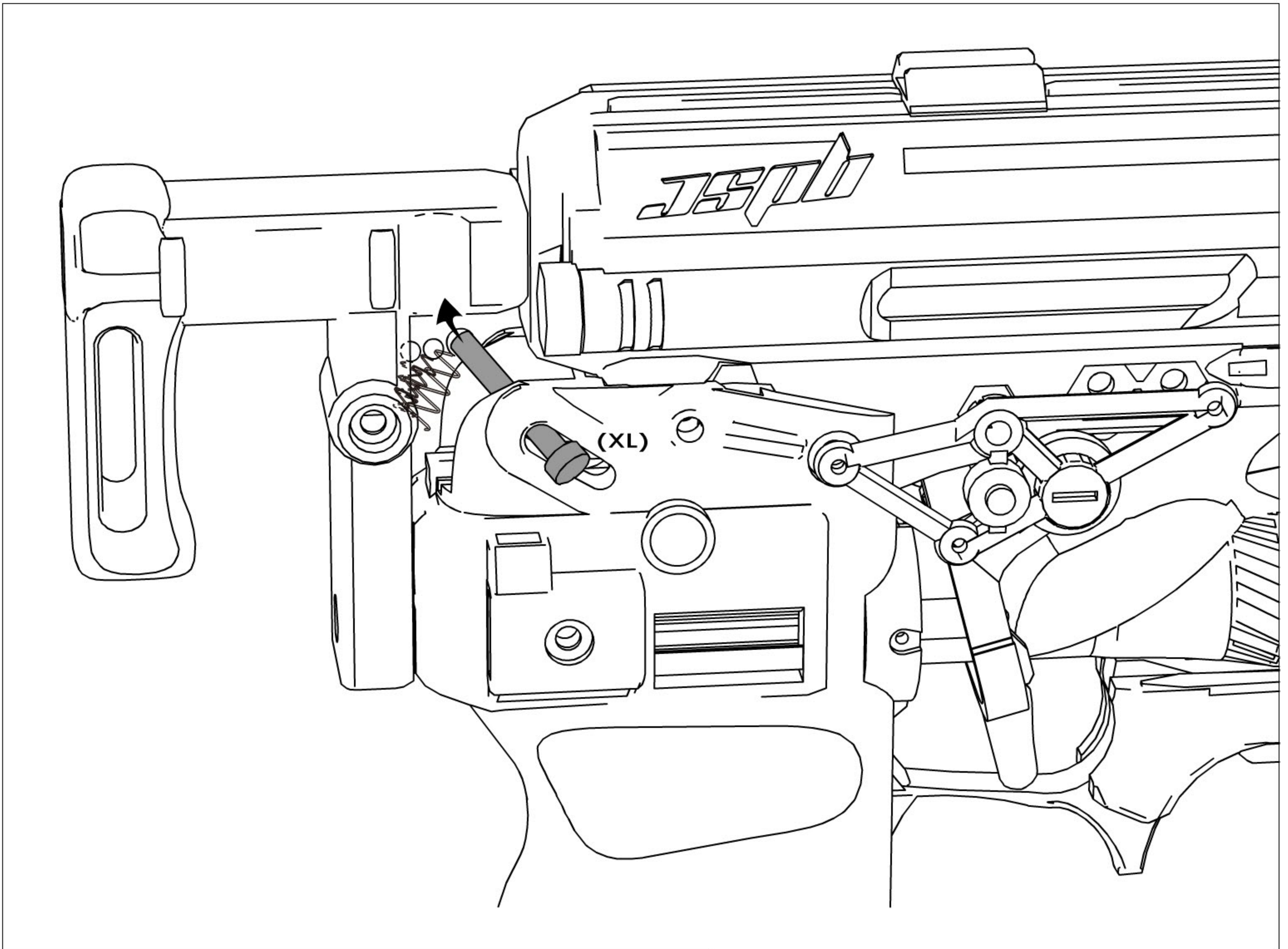
! SAFETY IS ON !
Trigger is locked





CHECK POINT







Optimal performance:

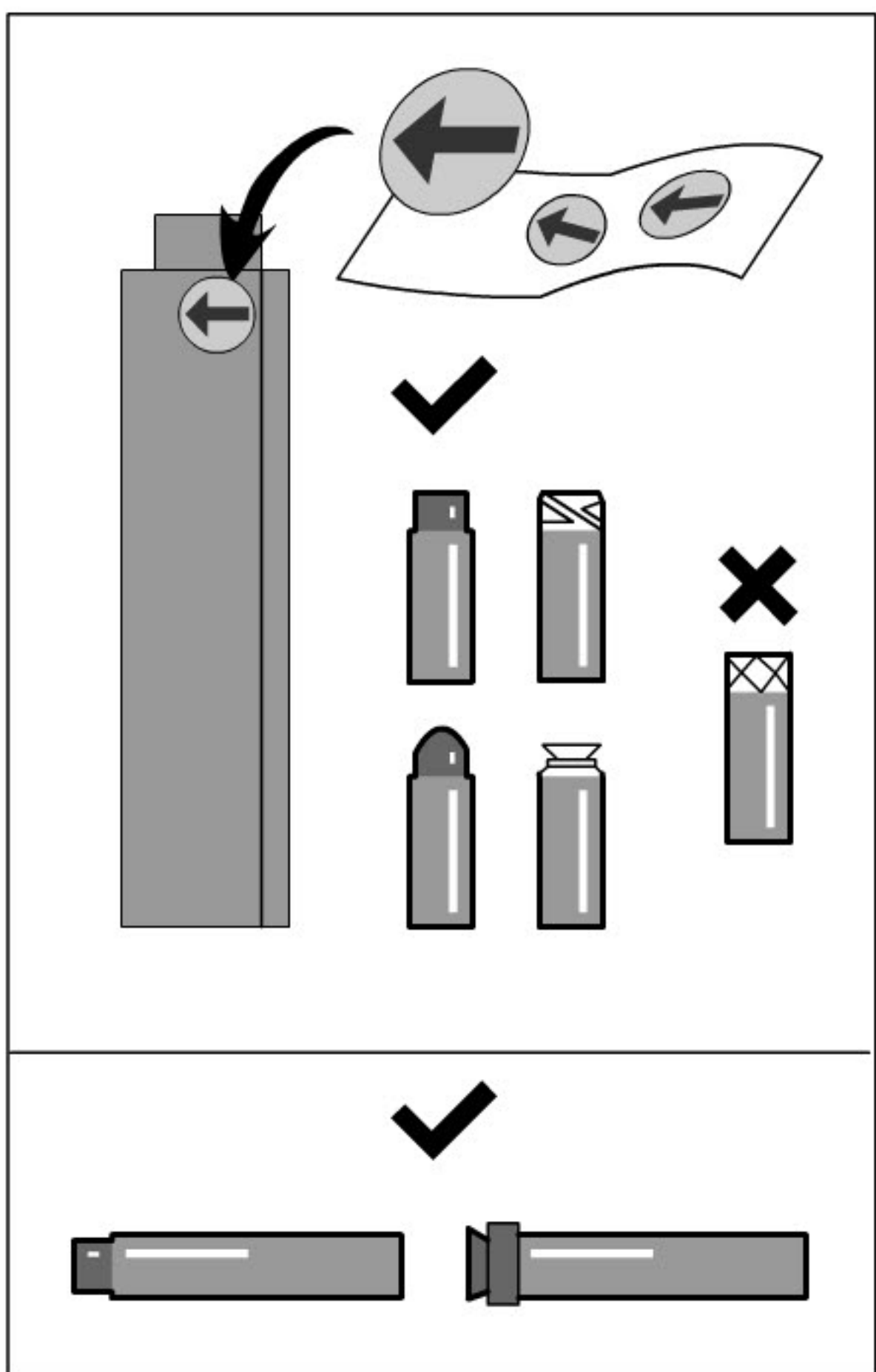
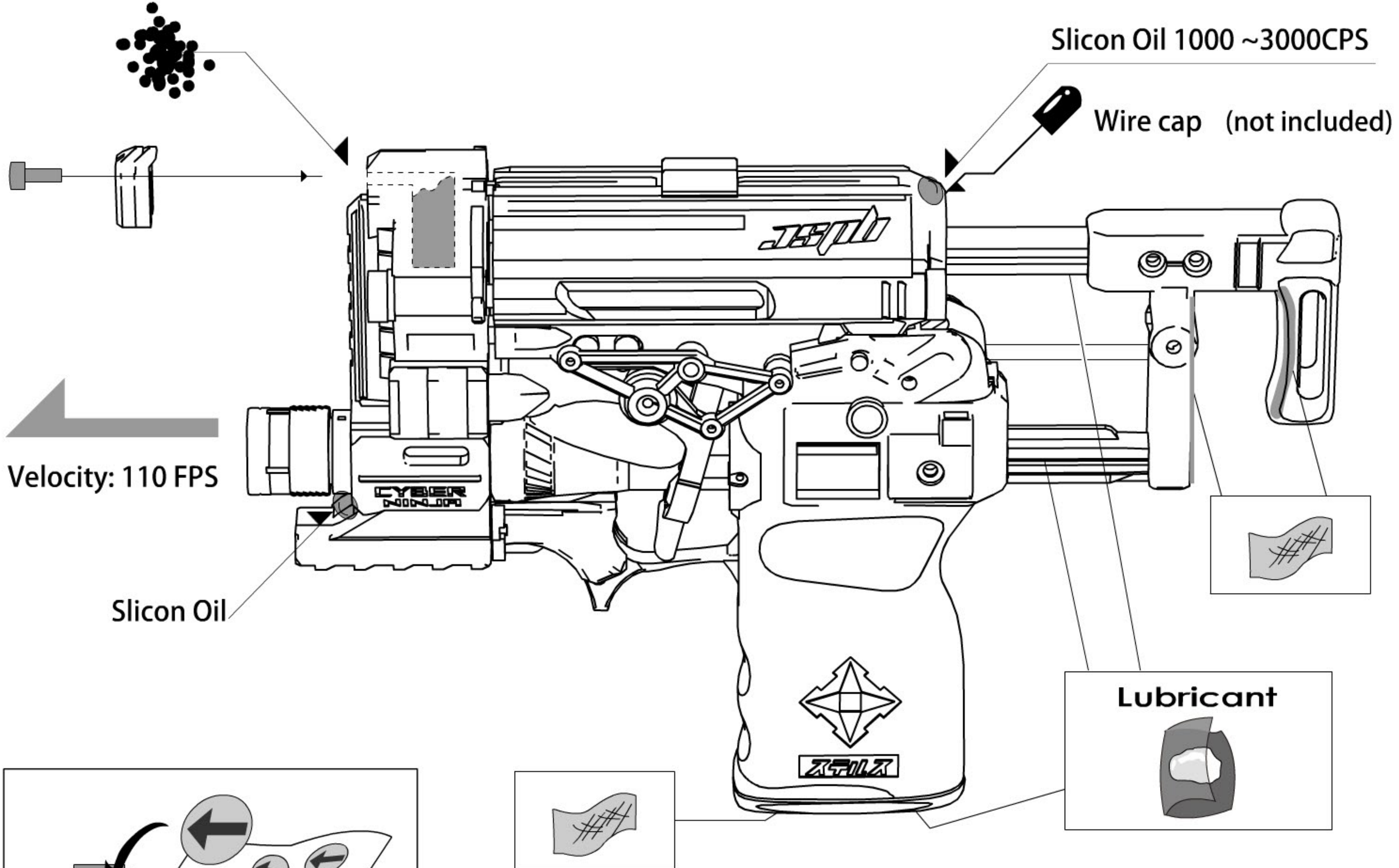
Be sure to re-oil after shooting 300~500 rounds of Darts

保養:射擊完300發子彈後務必重新上油(不可使用黃油)

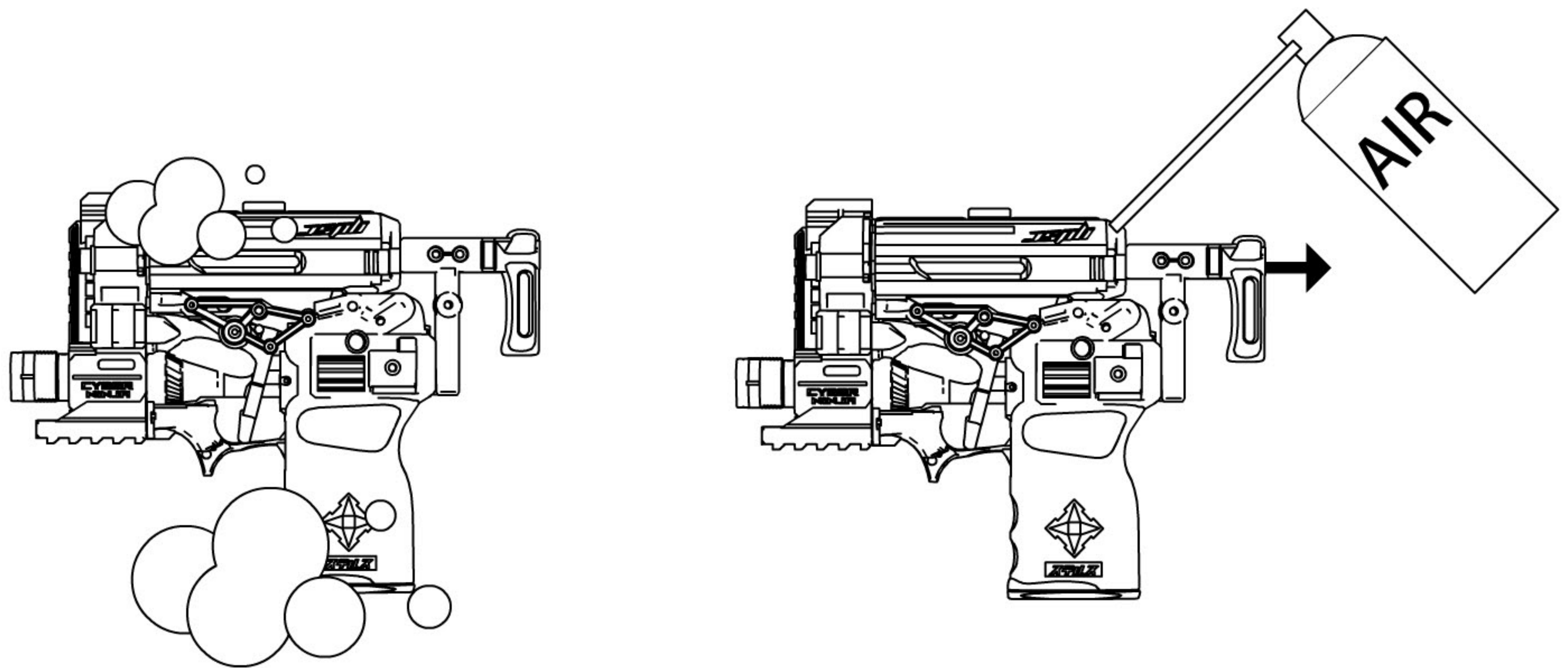
Slicon Oil 1000 ~3000CPS

Wire cap (not included)

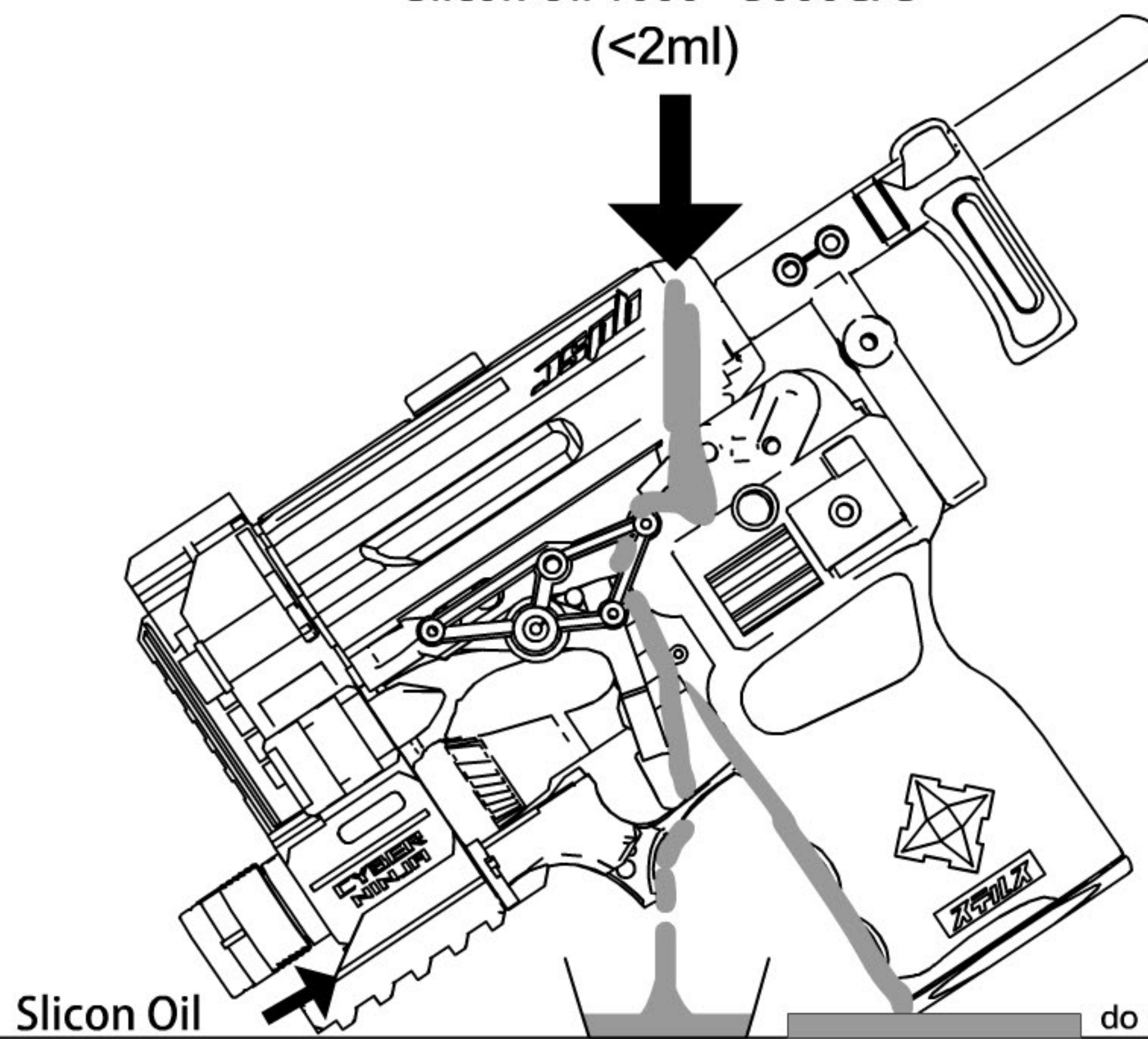
Sand (not included)



Maintain:



Slicon Oil 1000 ~3000CPS
(<2ml)



*Flow diagram,
do not add slicon oil too much.



Follow JSPB !

獲得最新消息,張貼您的作品!!

www.facebook.com/jspbcombat